

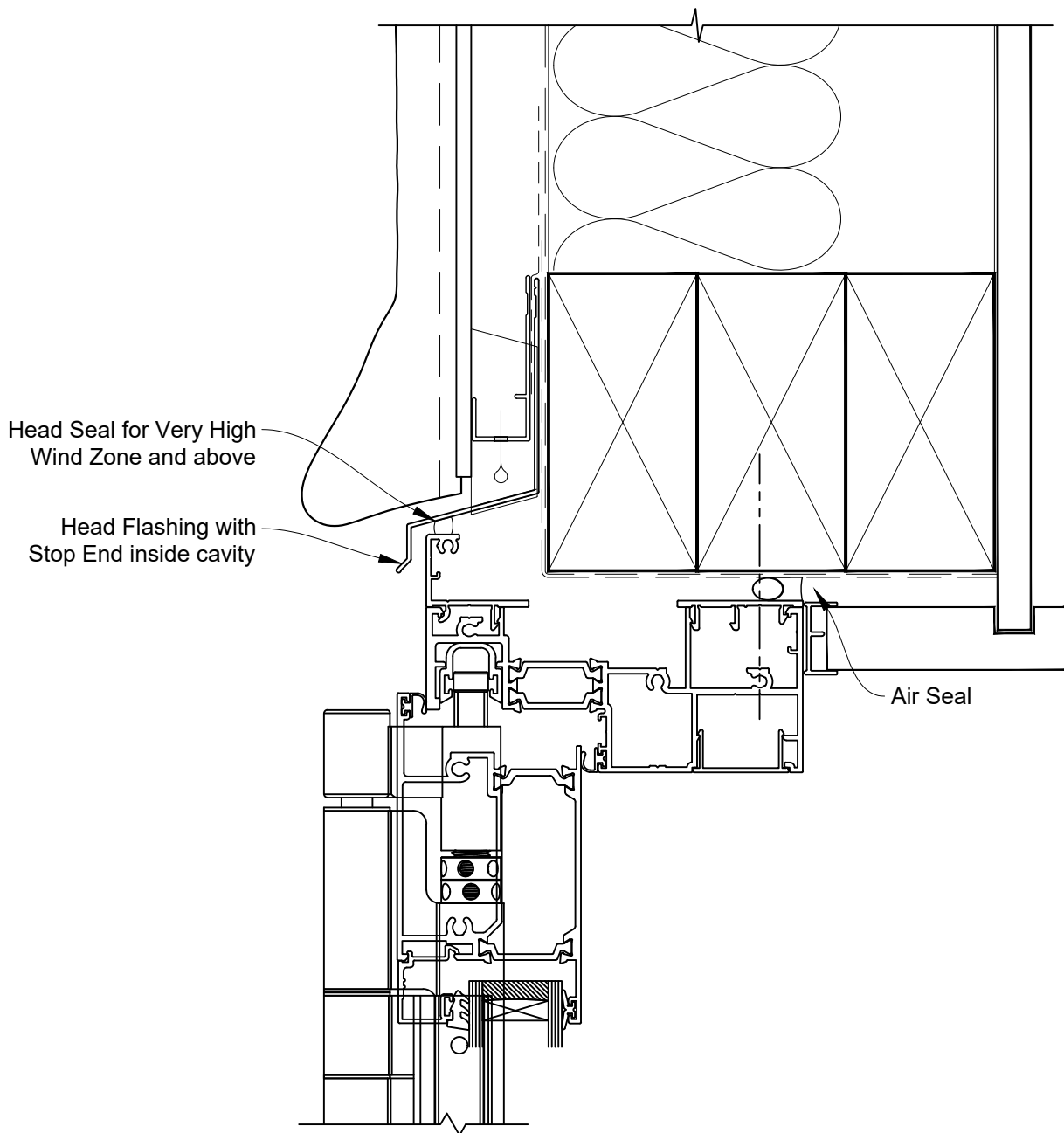


# INSTALLATION DETAIL - ARCHITECTURAL THERMAL HEART BIFOLD DOOR ON STUCCO CAVITY CONSTRUCTION

Date: 01.09.23

Scale: 1:2

CAD Ref.: TABDST-CH



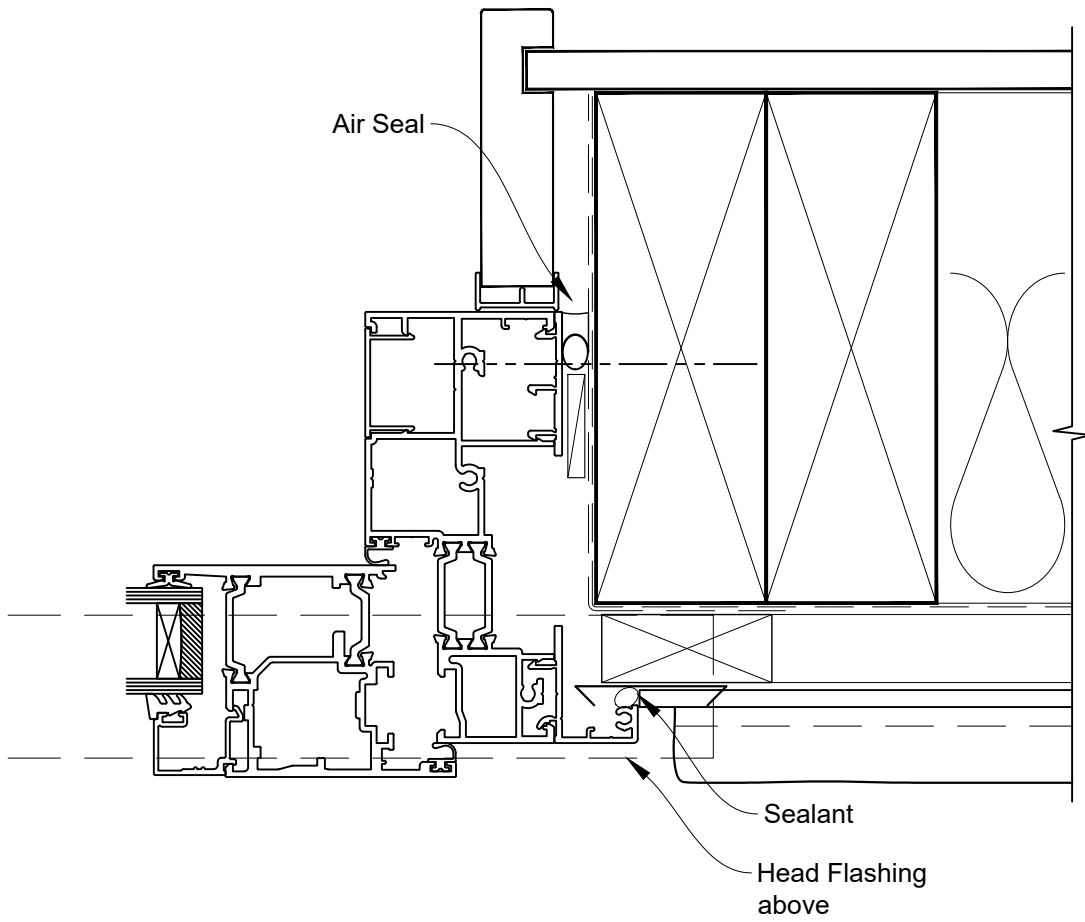


# INSTALLATION DETAIL - ARCHITECTURAL THERMAL HEART BIFOLD DOOR ON STUCCO CAVITY CONSTRUCTION

Date: 01.09.23

Scale: 1:2

CAD Ref.: TABDST-CJ





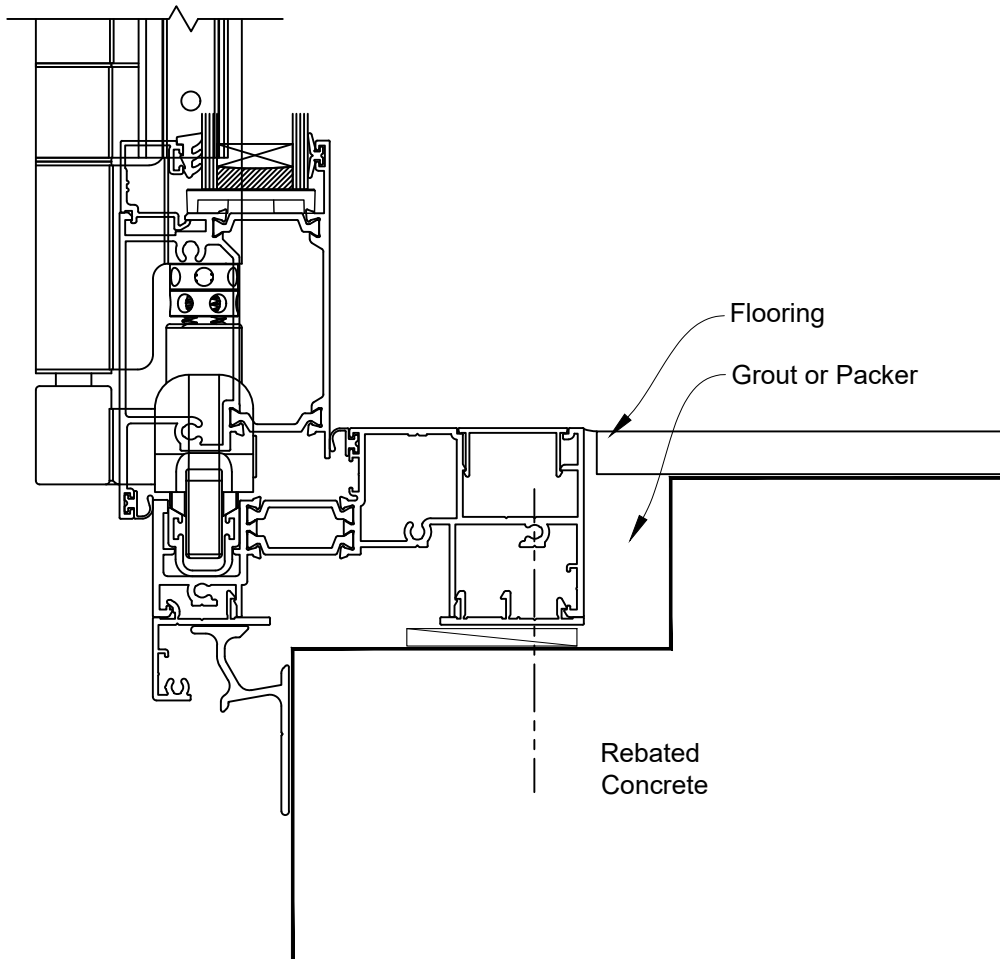
# INSTALLATION DETAIL - ARCHITECTURAL THERMAL HEART BIFOLD DOOR ON STUCCO CAVITY CONSTRUCTION

Date: 01.09.23

Scale: 1:2

CAD Ref.: TABDST-CS

## FLANGED BOTTOM RAIL OPTION ON FACING INFILL





# INSTALLATION DETAIL - ARCHITECTURAL THERMAL HEART BIFOLD DOOR ON STUCCO CAVITY CONSTRUCTION

Date: 01.09.23

Scale: 1:2

CAD Ref.: TABDST-CS2

## FLUSH BOTTOM RAIL OPTION ON SILL TRAY

