

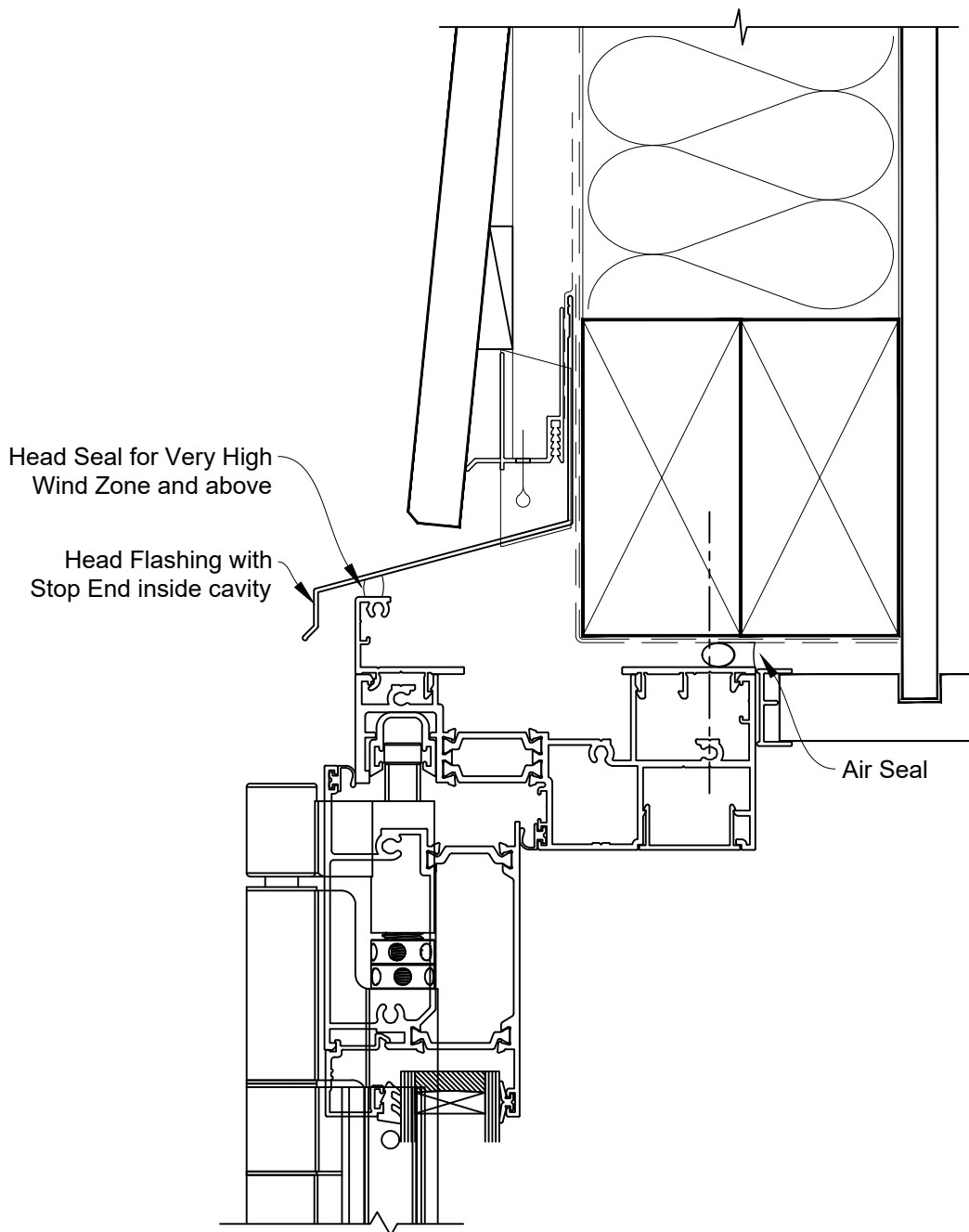


INSTALLATION DETAIL - ARCHITECTURAL THERMAL HEART BIFOLD DOOR ON BEVELBACK WEATHERBOARD CAVITY CONSTRUCTION

Date: 01.09.23

Scale: 1:2

CAD Ref.: TABDBW-CH



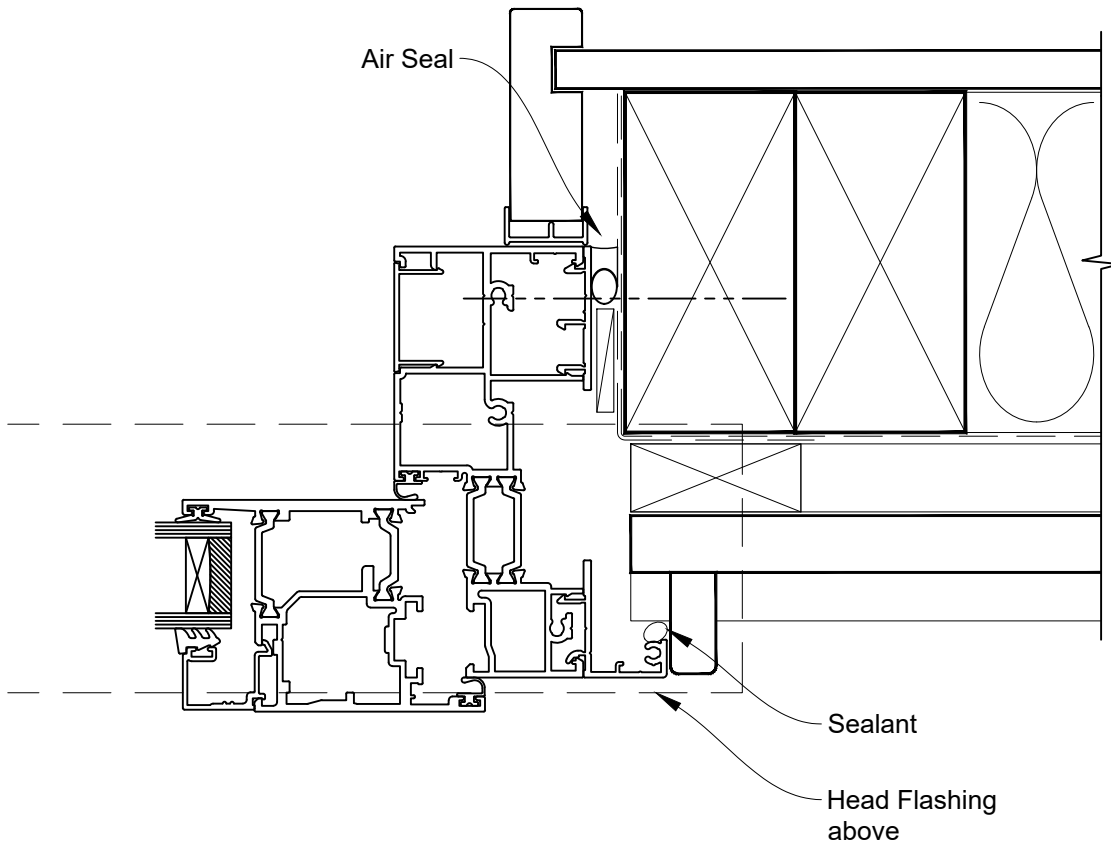


INSTALLATION DETAIL - ARCHITECTURAL THERMAL HEART BIFOLD DOOR ON BEVELBACK WEATHERBOARD CAVITY CONSTRUCTION

Date: 01.09.23

Scale: 1:2

CAD Ref.: TABDBW-CJ





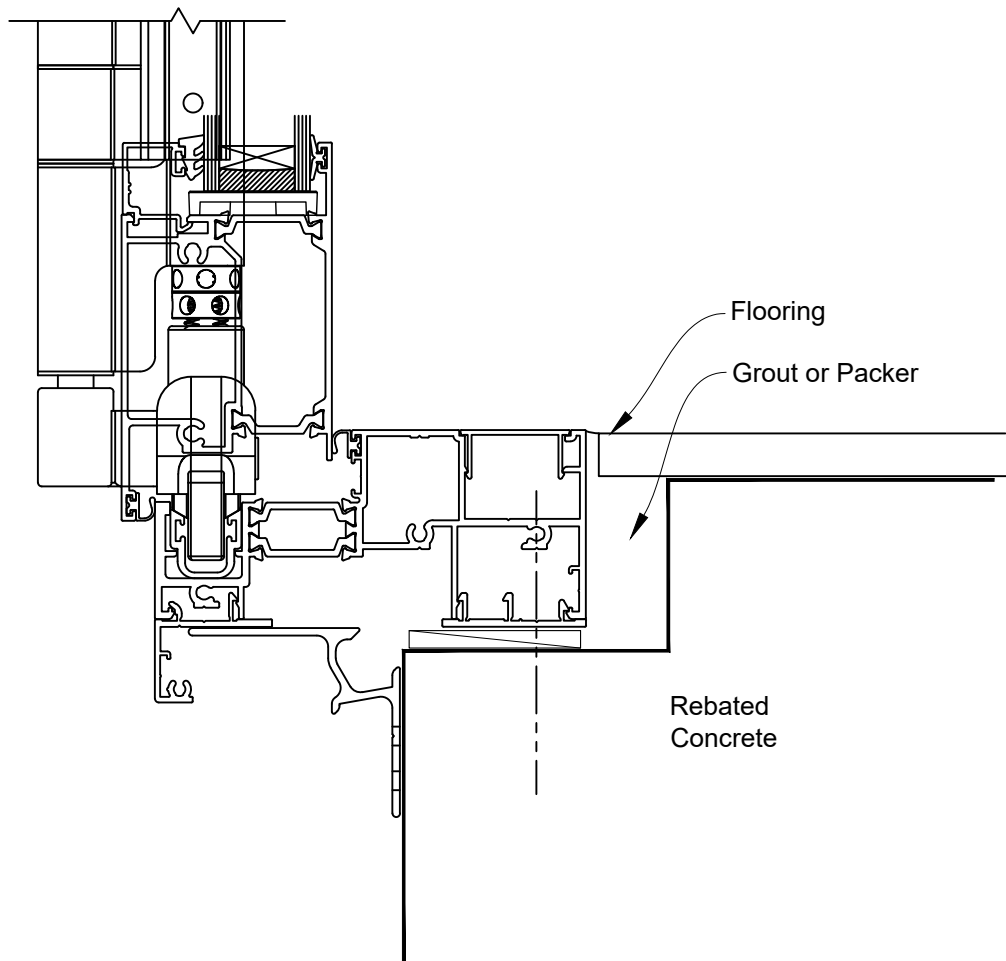
INSTALLATION DETAIL - ARCHITECTURAL THERMAL HEART BIFOLD DOOR ON BEVELBACK WEATHERBOARD CAVITY CONSTRUCTION

Date: 01.09.23

Scale: 1:2

CAD Ref.: TABDBW-CS

FLANGED BOTTOM RAIL OPTION ON FACING INFILL





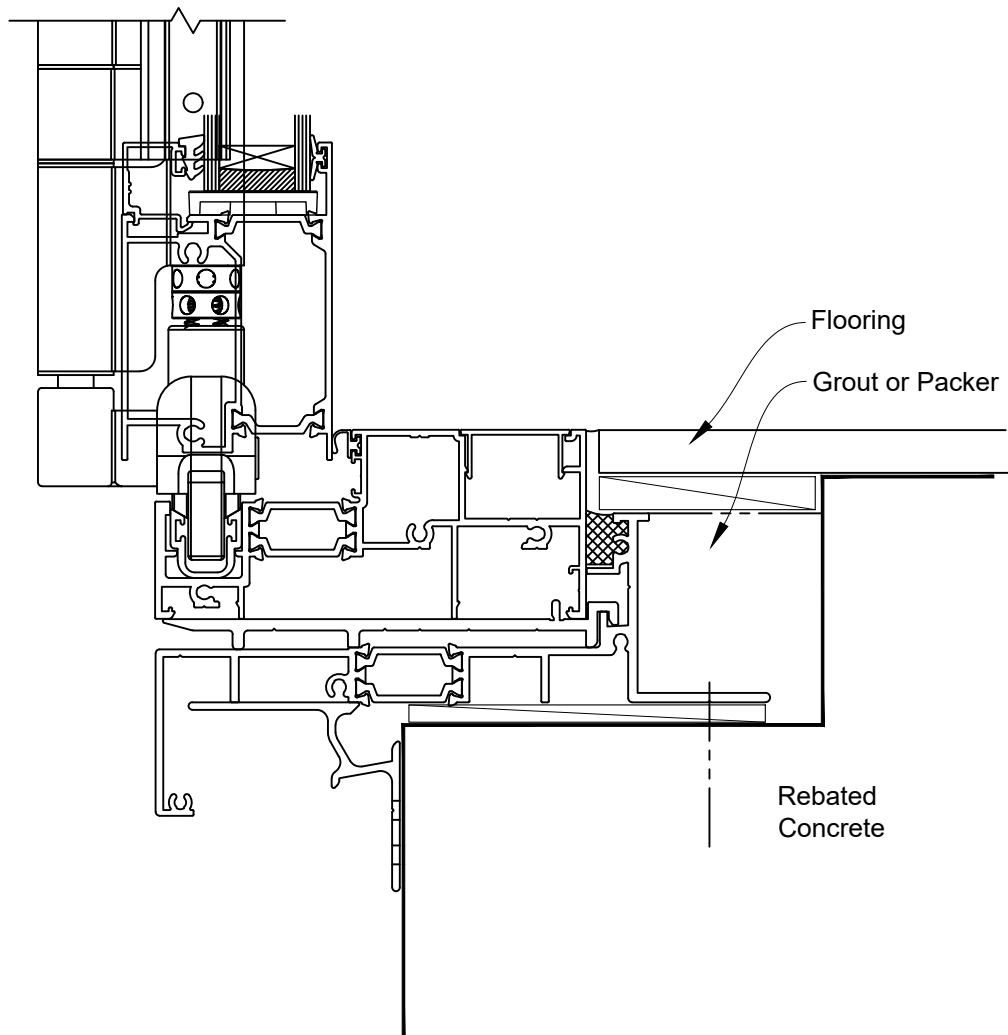
INSTALLATION DETAIL - ARCHITECTURAL THERMAL HEART BIFOLD DOOR ON BEVELBACK WEATHERBOARD CAVITY CONSTRUCTION

Date: 01.09.23

Scale: 1:2

CAD Ref.: TABDBW-CS2

FLUSH BOTTOM RAIL OPTION ON SILL TRAY



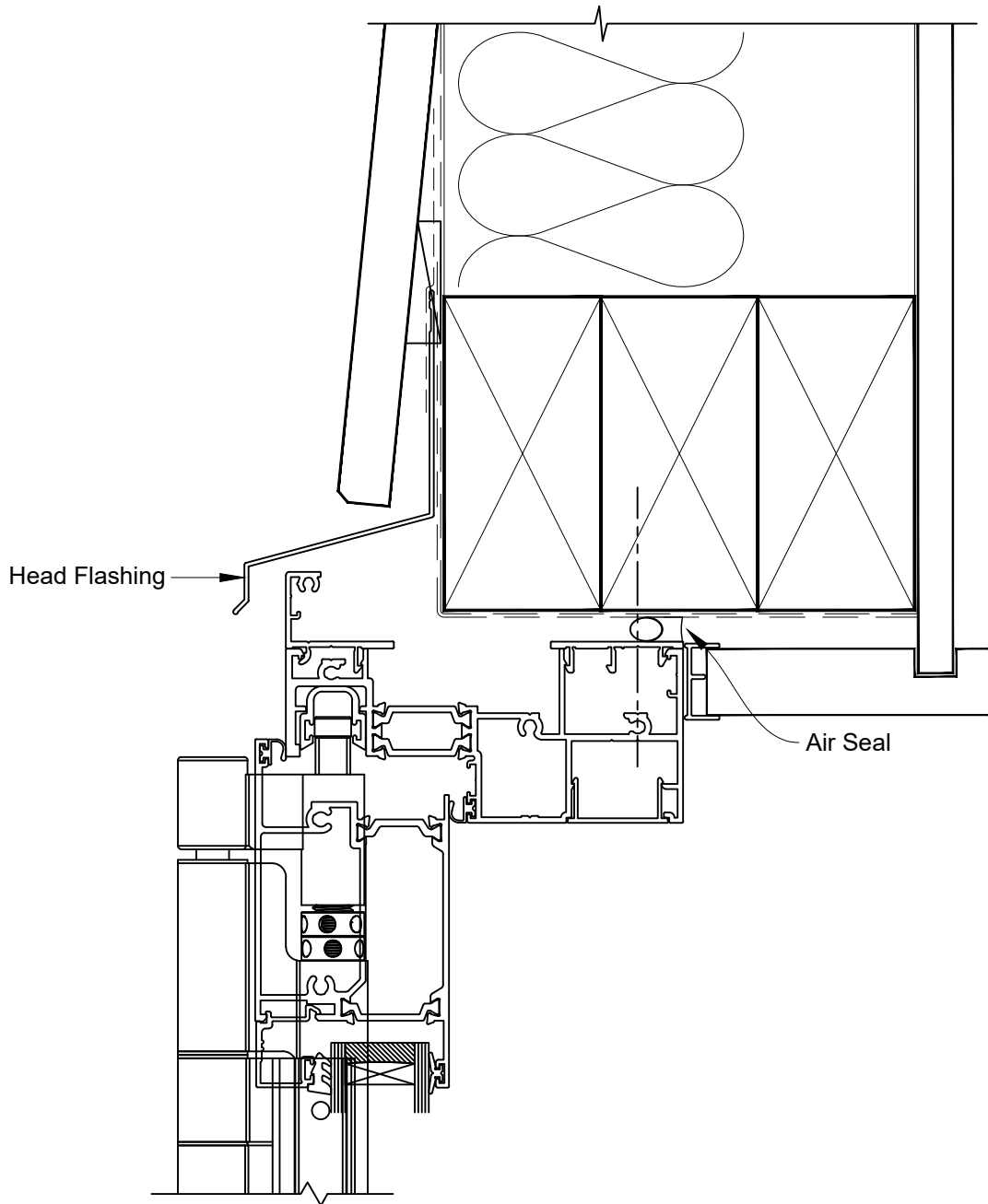


INSTALLATION DETAIL - ARCHITECTURAL THERMAL HEART BIFOLD DOOR ON BEVELBACK WEATHERBOARD DIRECT FIXED CLADDING

Date: 01.09.23

Scale: 1:2

CAD Ref.: TABDBW-DH



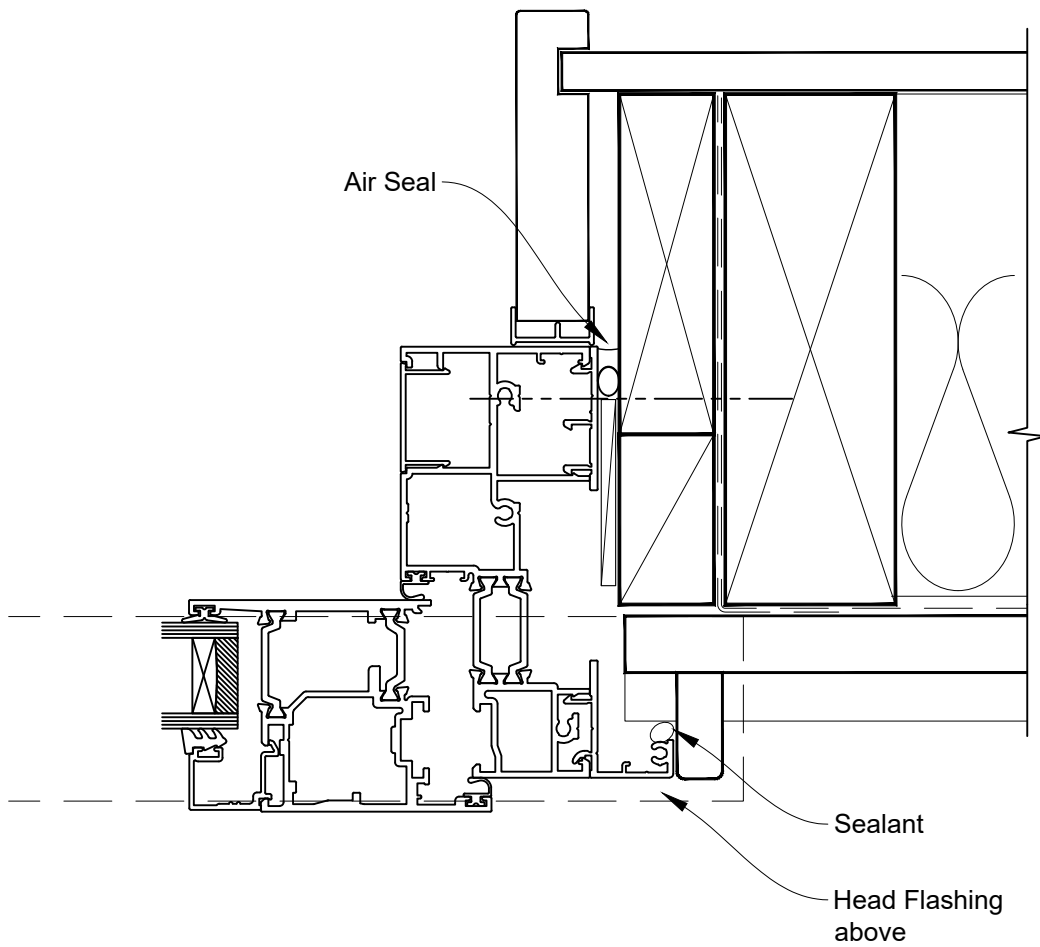


INSTALLATION DETAIL - ARCHITECTURAL THERMAL HEART BIFOLD DOOR ON BEVELBACK WEATHERBOARD DIRECT FIXED CLADDING

Date: 01.09.23

Scale: 1:2

CAD Ref.: TABDBW-DJ





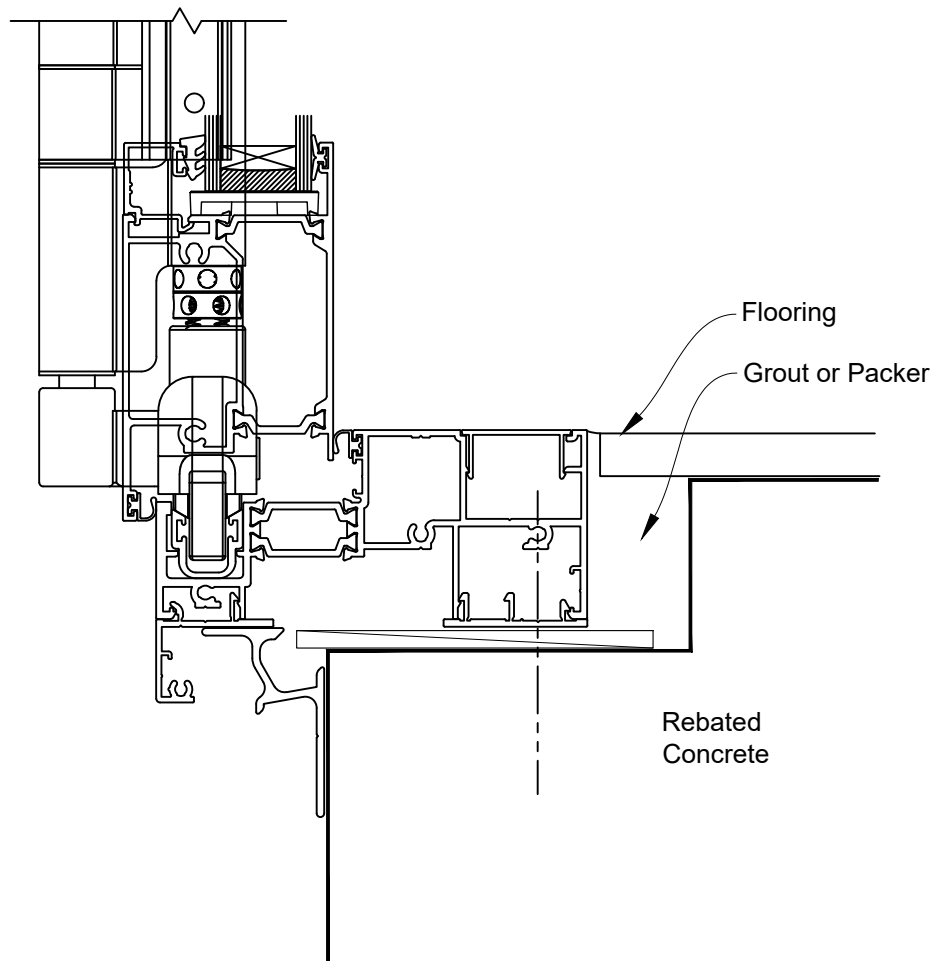
INSTALLATION DETAIL - ARCHITECTURAL THERMAL HEART BIFOLD DOOR ON BEVELBACK WEATHERBOARD DIRECT FIXED CLADDING

Date: 01.09.23

Scale: 1:2

CAD Ref.: TABDBW-DS

FLANGED BOTTOM RAIL OPTION ON FACING INFILL





INSTALLATION DETAIL - ARCHITECTURAL THERMAL HEART BIFOLD DOOR ON BEVELBACK WEATHERBOARD DIRECT FIXED CLADDING

Date: 01.09.23

Scale: 1:2

CAD Ref.: TABDBW-DS2

FLUSH BOTTOM RAIL OPTION ON SILL TRAY

