

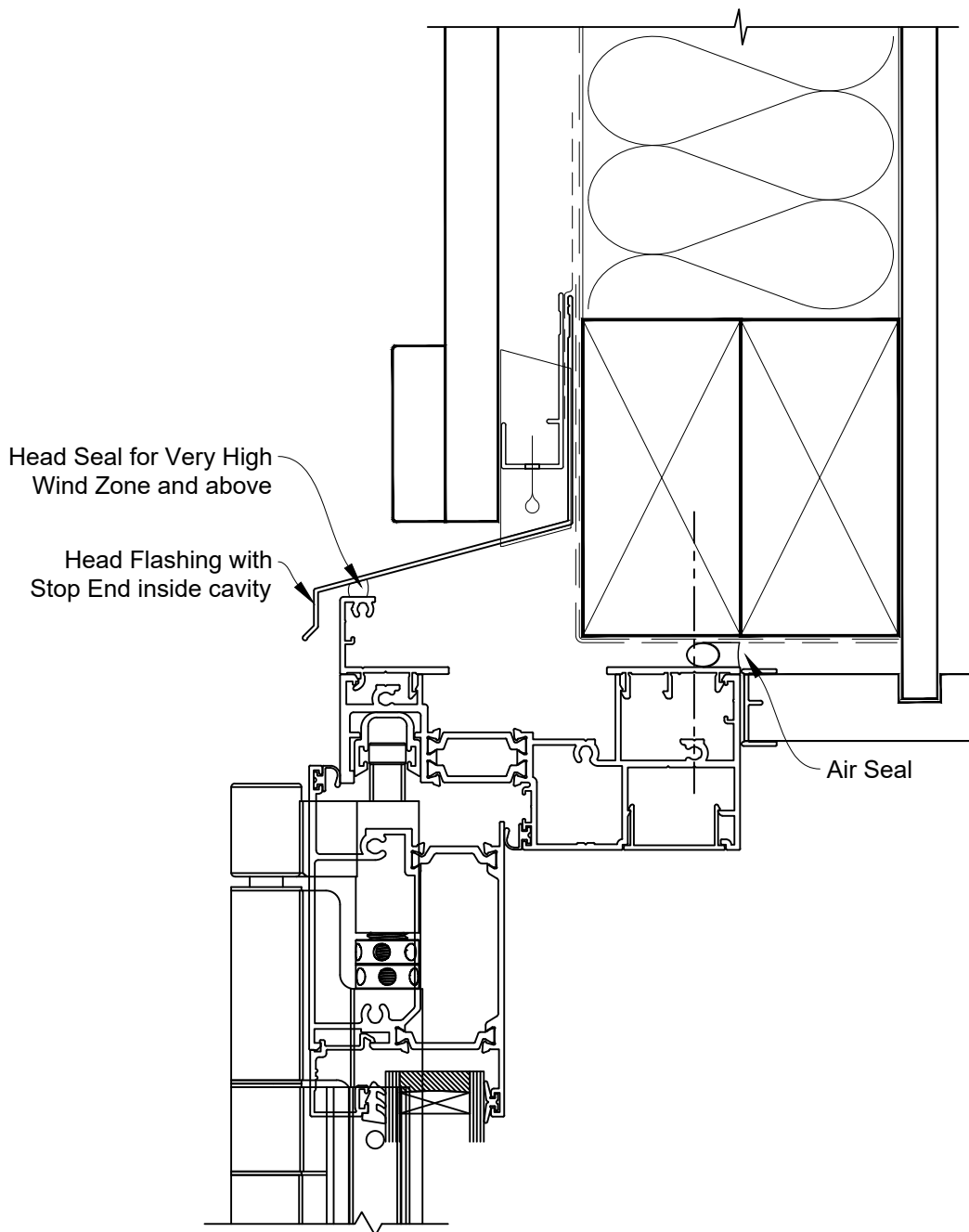


INSTALLATION DETAIL - ARCHITECTURAL THERMAL HEART BIFOLD DOOR ON BOARD & BATTEN CAVITY CONSTRUCTION

Date: 01.09.23

Scale: 1:2

CAD Ref.: TABDBB-CH



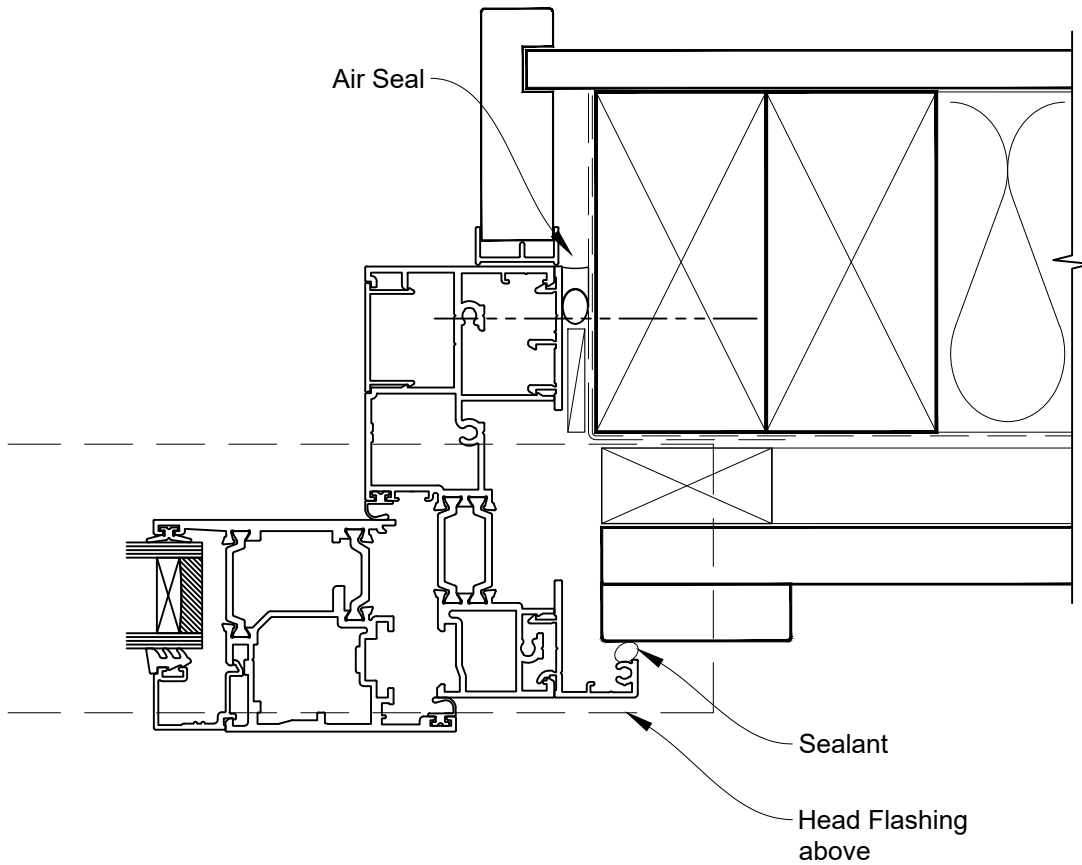


INSTALLATION DETAIL - ARCHITECTURAL THERMAL HEART BIFOLD DOOR ON BOARD & BATTEN CAVITY CONSTRUCTION

Date: 01.09.23

Scale: 1:2

CAD Ref.: TABDBB-CJ





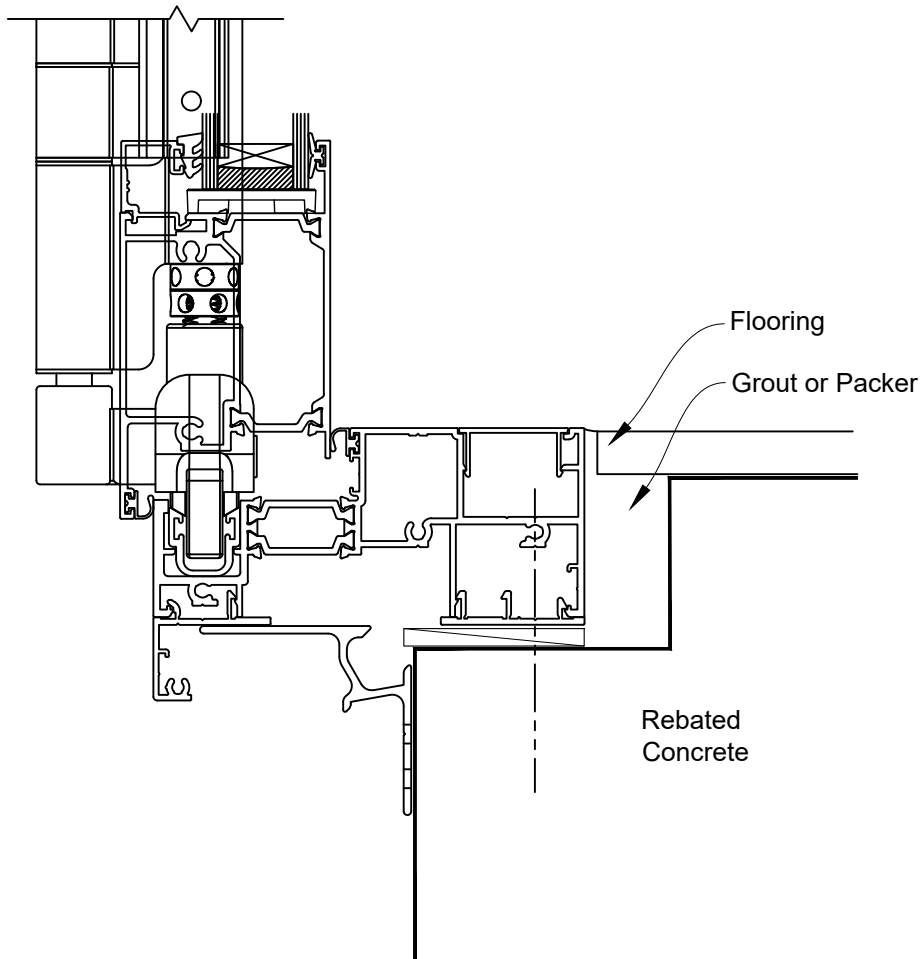
INSTALLATION DETAIL - ARCHITECTURAL THERMAL HEART BIFOLD DOOR ON BOARD & BATTEN CAVITY CONSTRUCTION

Date: 01.09.23

Scale: 1:2

CAD Ref.: TABDBB-CS

FLANGED BOTTOM RAIL OPTION ON FACING INFILL



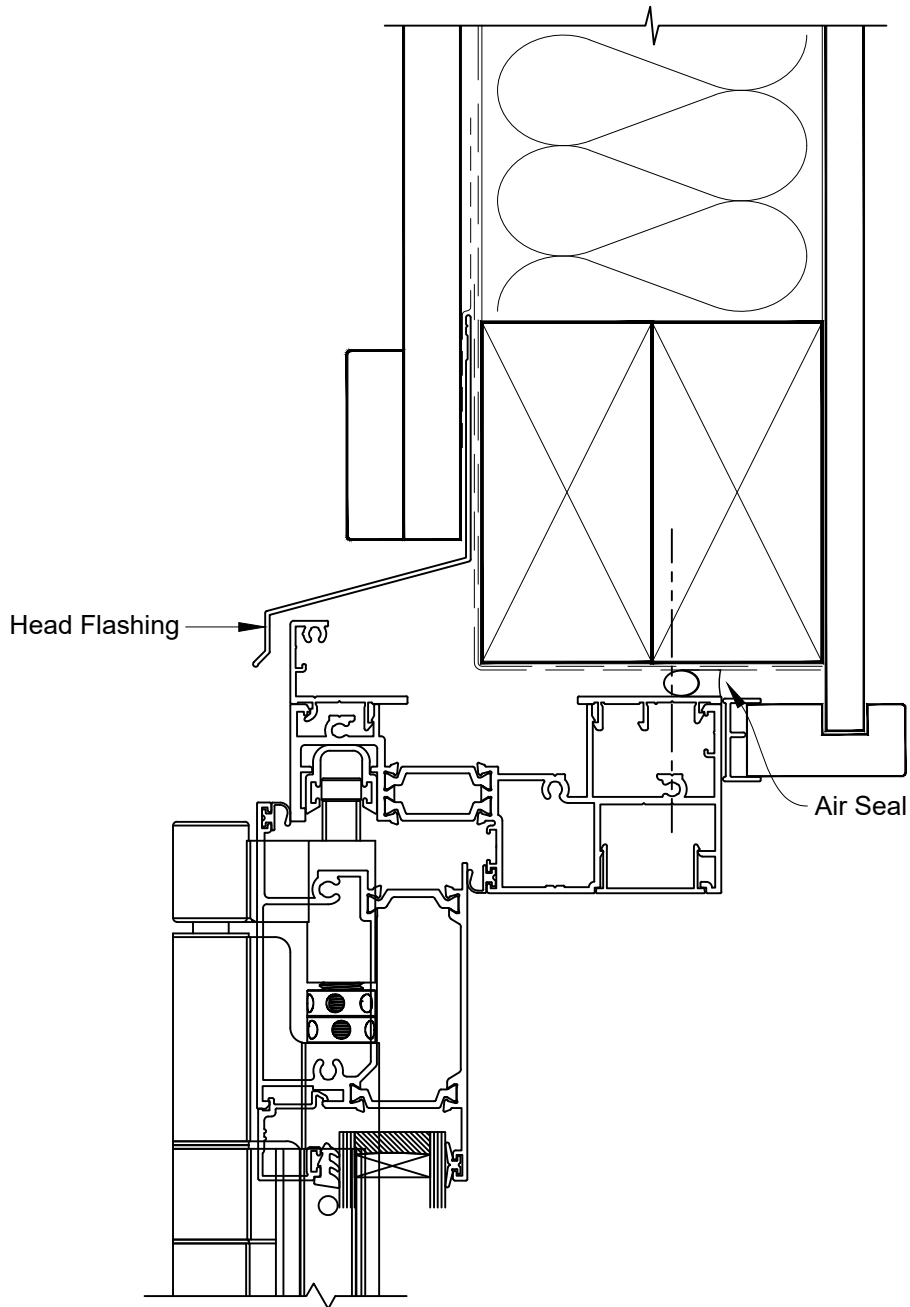


INSTALLATION DETAIL - ARCHITECTURAL THERMAL HEART BIFOLD DOOR ON BOARD & BATTEN DIRECT FIXED CLADDING

Date: 01.09.23

Scale: 1:2

CAD Ref.: TABDBB-DH



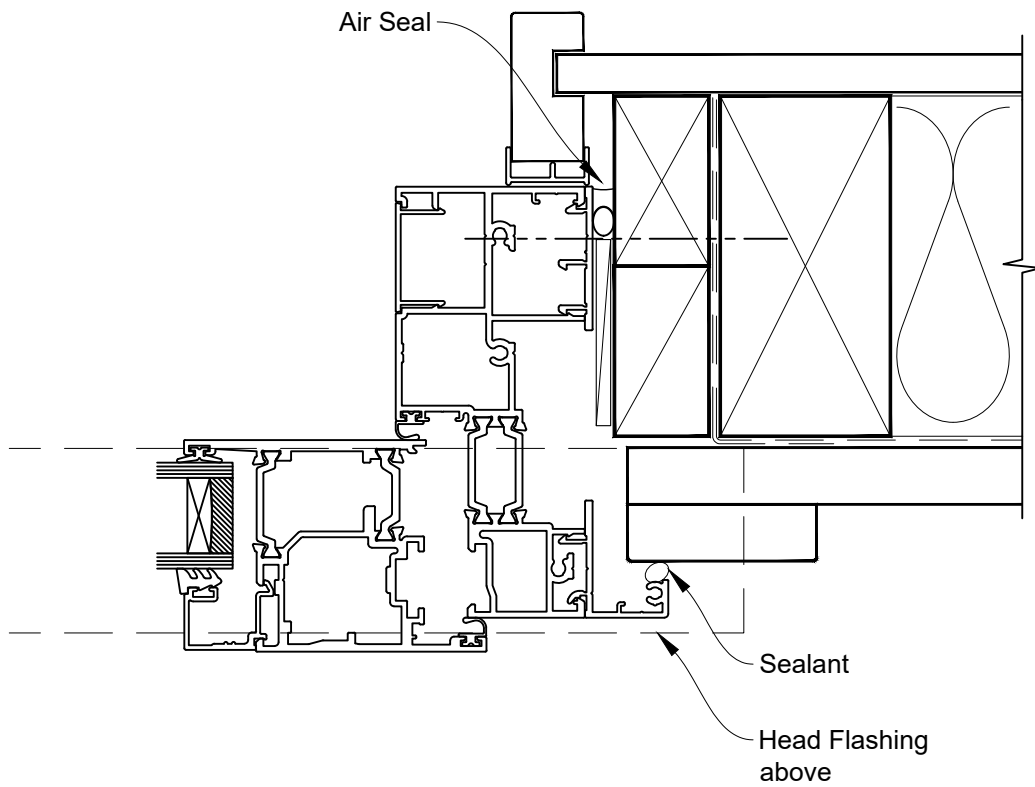


INSTALLATION DETAIL - ARCHITECTURAL THERMAL HEART BIFOLD DOOR ON BOARD & BATTEN DIRECT FIXED CLADDING

Date: 01.09.23

Scale: 1:2

CAD Ref.: TABDBB-DJ





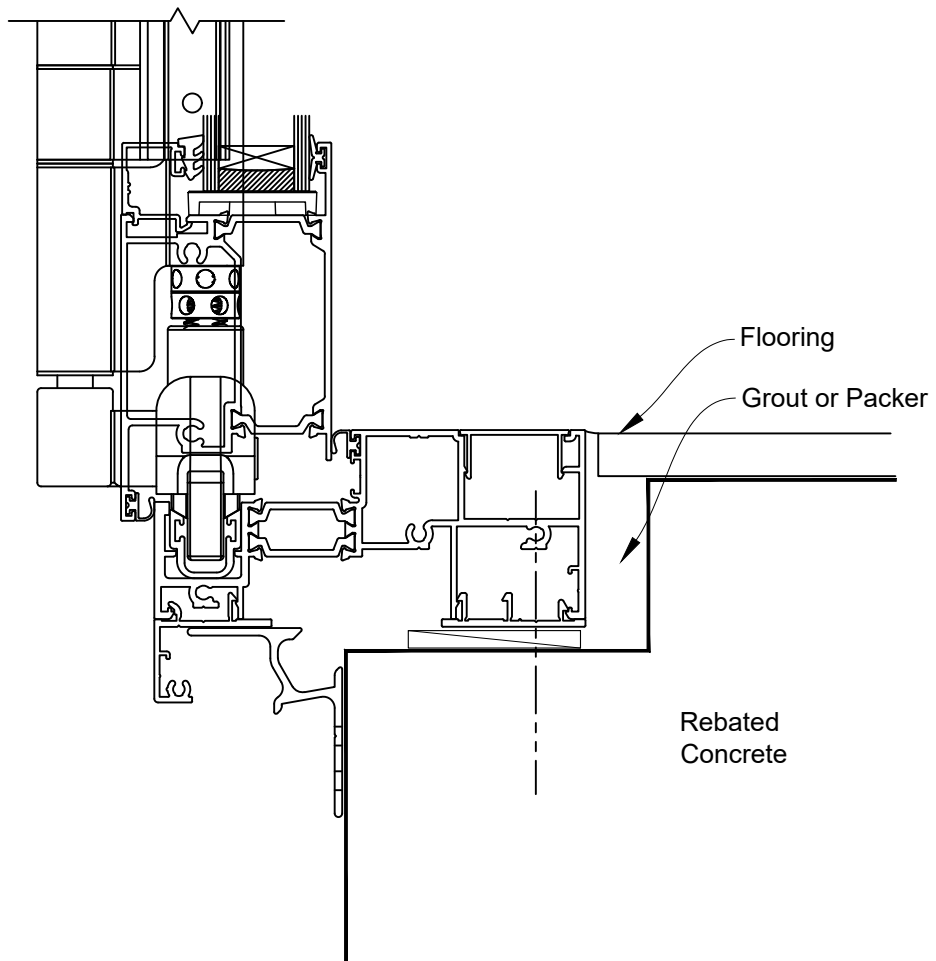
INSTALLATION DETAIL - ARCHITECTURAL THERMAL HEART BIFOLD DOOR ON BOARD & BATTEN DIRECT FIXED CLADDING

Date: 01.09.23

Scale: 1:2

CAD Ref.: TABDBB-DS

FLANGED BOTTOM RAIL OPTION ON FACING INFILL





INSTALLATION DETAIL - ARCHITECTURAL THERMAL HEART BIFOLD DOOR ON BOARD & BATTEN DIRECT FIXED CLADDING

Date: 01.09.23

Scale: 1:2

CAD Ref.: TABDBB-DS2

FLUSH BOTTOM RAIL OPTION ON SILL TRAY

