

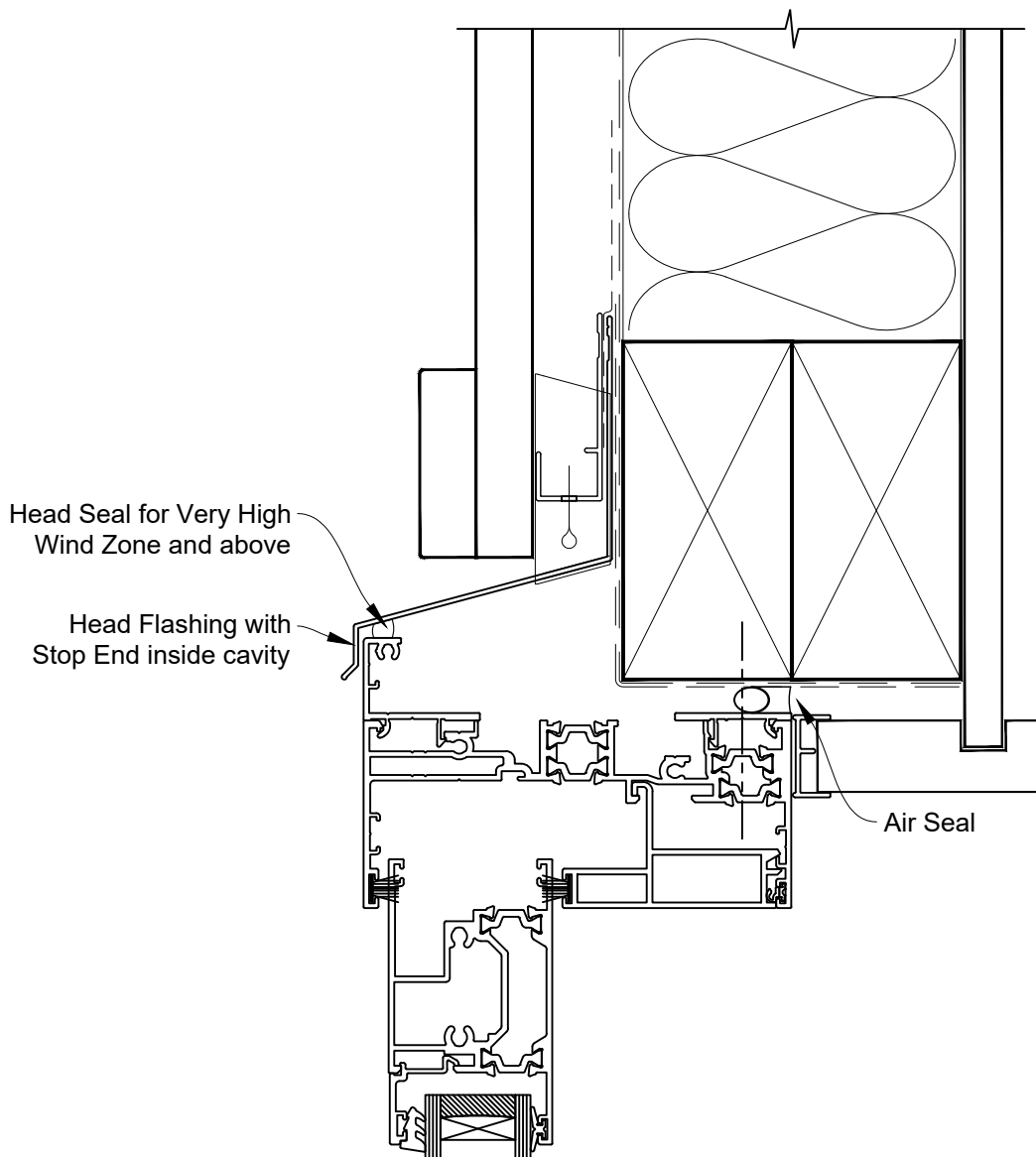


INSTALLATION DETAIL - ARCHITECTURAL THERMAL HEART 114mm SLIDING DOOR ON BOARD & BATTEN CAVITY CONSTRUCTION

Date: 01.09.23

Scale: 1:2

CAD Ref.: TA114SDBB-CH



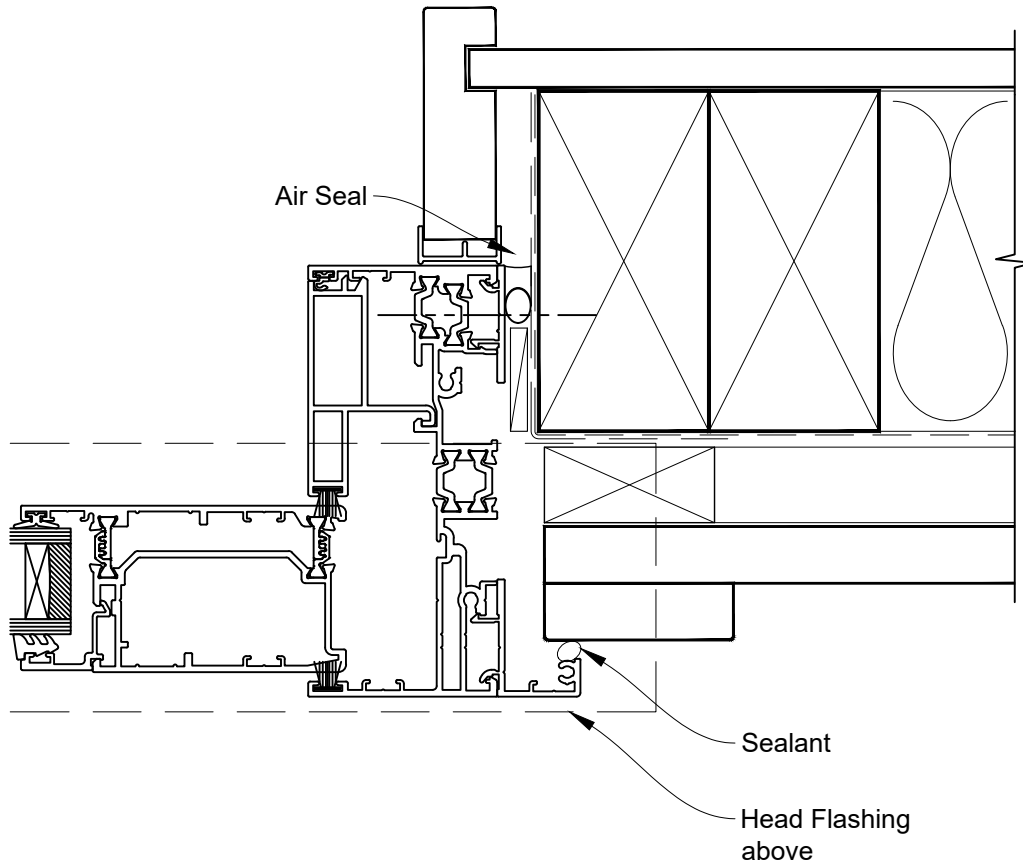


INSTALLATION DETAIL - ARCHITECTURAL THERMAL HEART 114mm SLIDING DOOR ON BOARD & BATTEN CAVITY CONSTRUCTION

Date: 01.09.23

Scale: 1:2

CAD Ref.: TA114SDBB-CJ





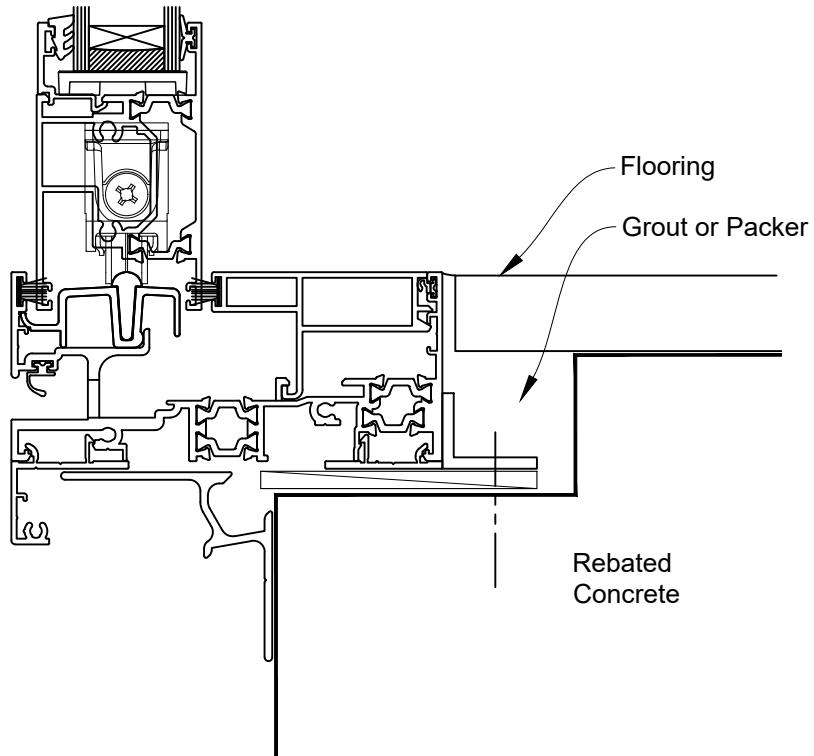
INSTALLATION DETAIL - ARCHITECTURAL THERMAL HEART 114mm SLIDING DOOR ON BOARD & BATTEN CAVITY CONSTRUCTION

Date: 01.09.23

Scale: 1:2

CAD Ref.: TA114SDBB-CS

FACING INFILL OPTION





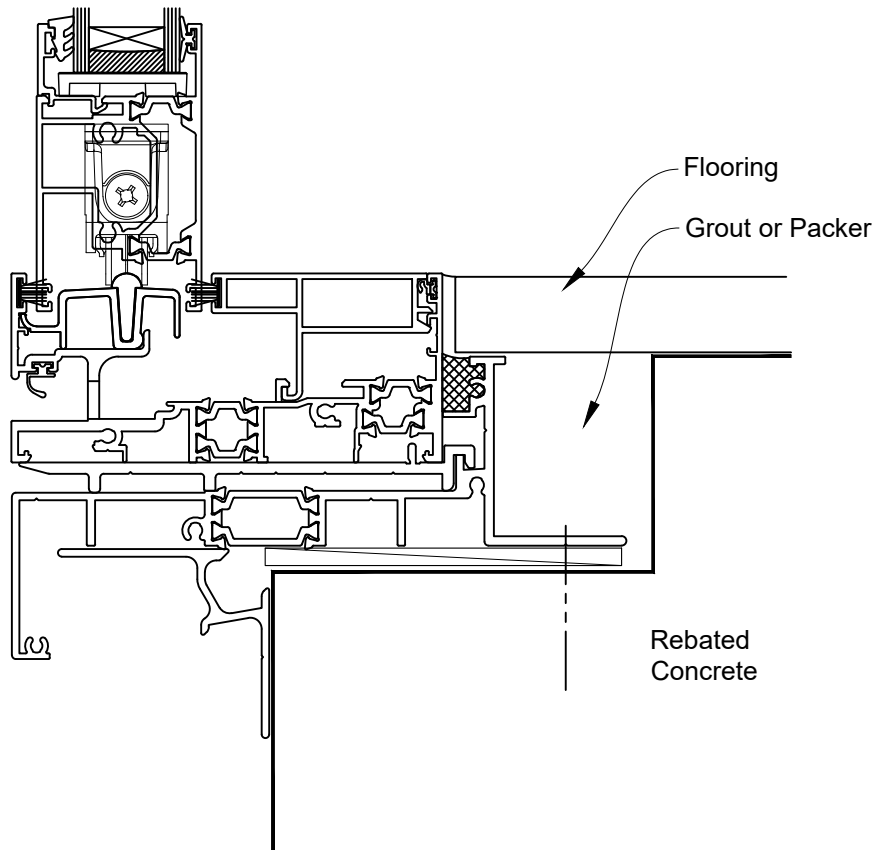
INSTALLATION DETAIL - ARCHITECTURAL THERMAL HEART 114mm SLIDING DOOR ON BOARD & BATTEN CAVITY CONSTRUCTION

Date: 01.09.23

Scale: 1:2

CAD Ref.: TA114SDBB-CS2

SILL TRAY OPTION



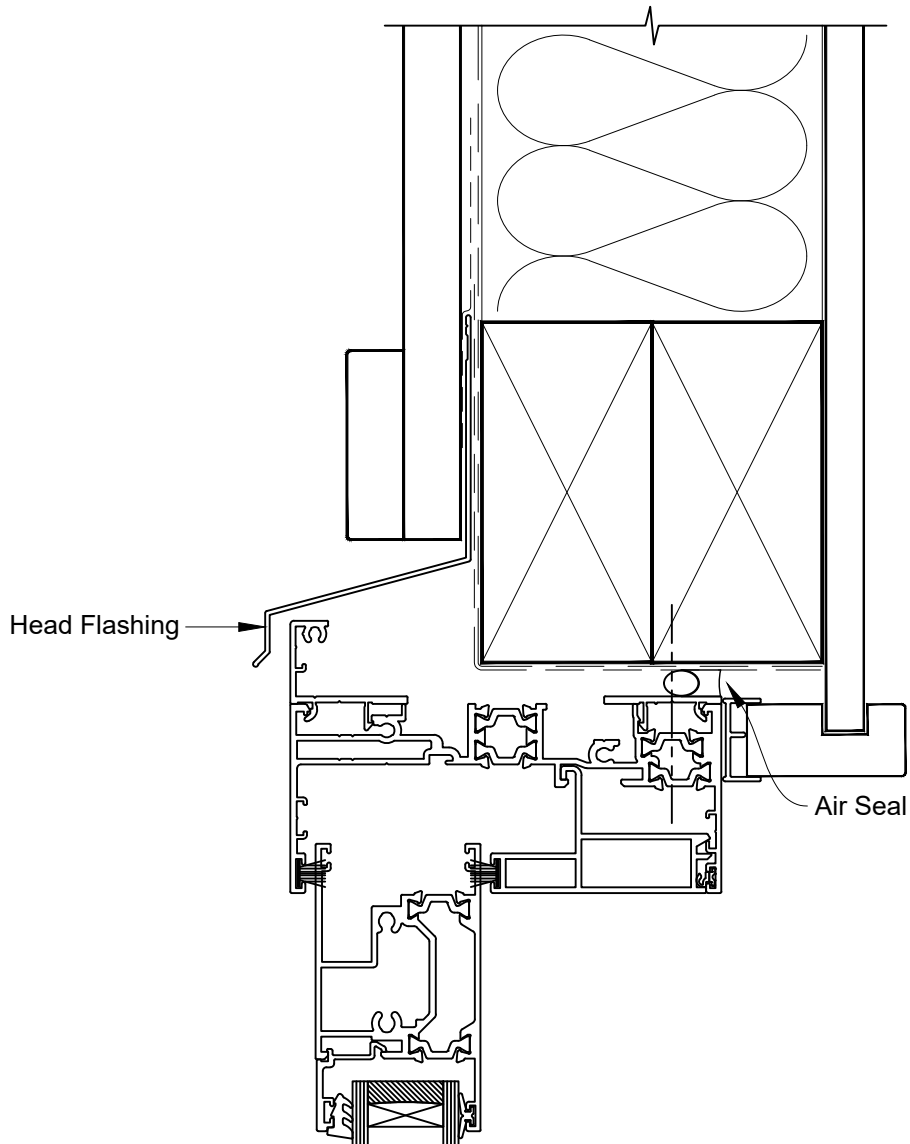


INSTALLATION DETAIL - ARCHITECTURAL THERMAL HEART 114mm SLIDING DOOR ON BOARD & BATTEN DIRECT FIXED CLADDING

Date: 01.09.23

Scale: 1:2

CAD Ref.: TA114SDBB-DH



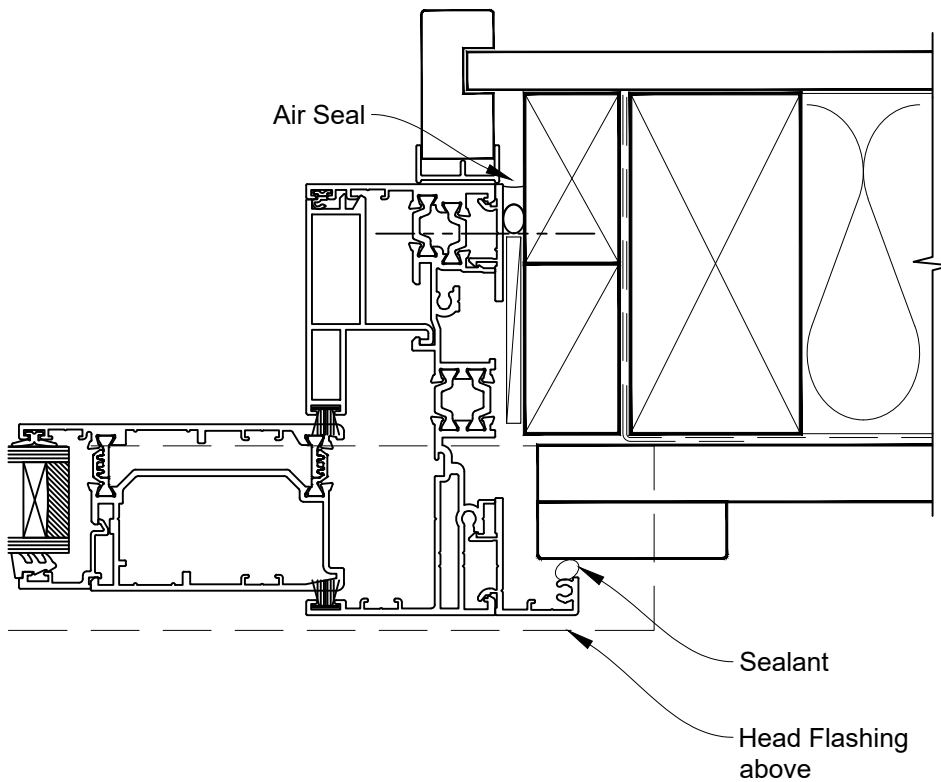


INSTALLATION DETAIL - ARCHITECTURAL THERMAL HEART 114mm SLIDING DOOR ON BOARD & BATTEN DIRECT FIXED CLADDING

Date: 01.09.23

Scale: 1:2

CAD Ref.: TA114SDBB-DJ





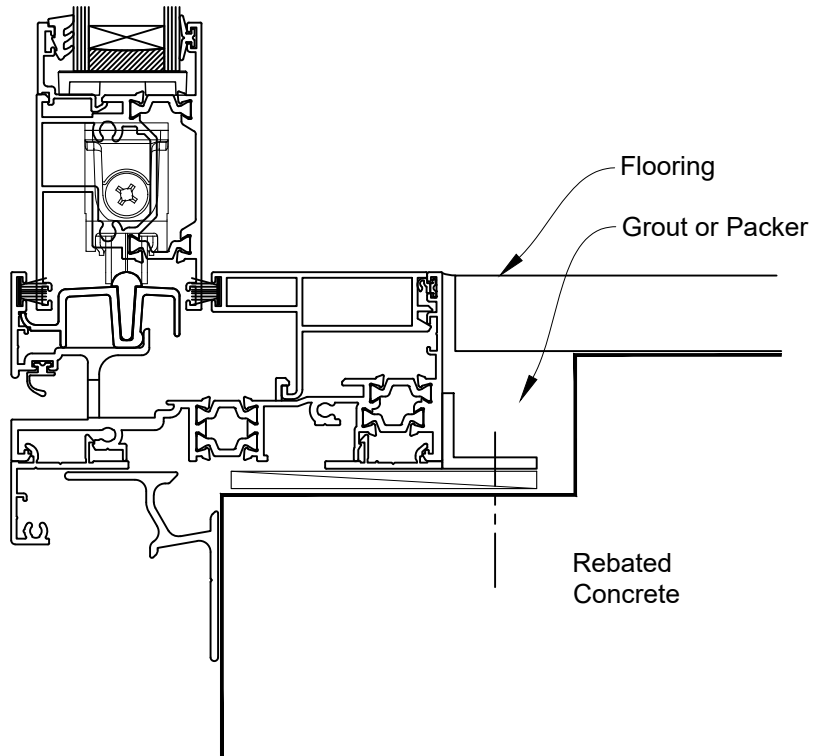
INSTALLATION DETAIL - ARCHITECTURAL THERMAL HEART 114mm SLIDING DOOR ON BOARD & BATTEN DIRECT FIXED CLADDING

Date: 01.09.23

Scale: 1:2

CAD Ref.: TA114SDBB-DS

FACING INFILL OPTION





INSTALLATION DETAIL - ARCHITECTURAL THERMAL HEART 114mm SLIDING DOOR ON BOARD & BATTEN DIRECT FIXED CLADDING

Date: 01.09.23

Scale: 1:2

CAD Ref.: TA114SDBB-DS2

SILL TRAY OPTION

