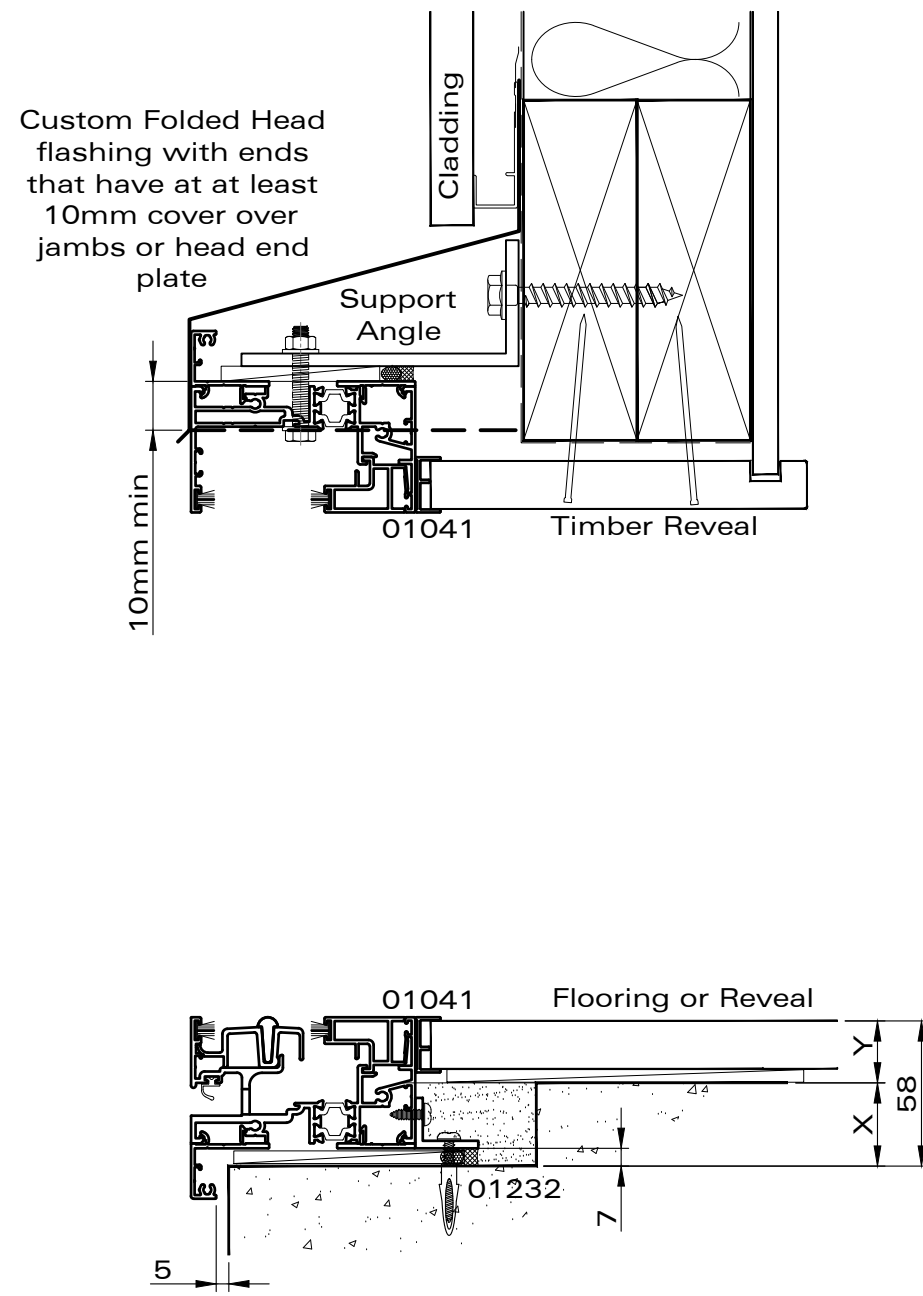
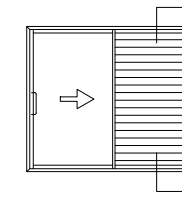
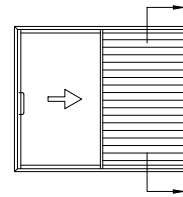
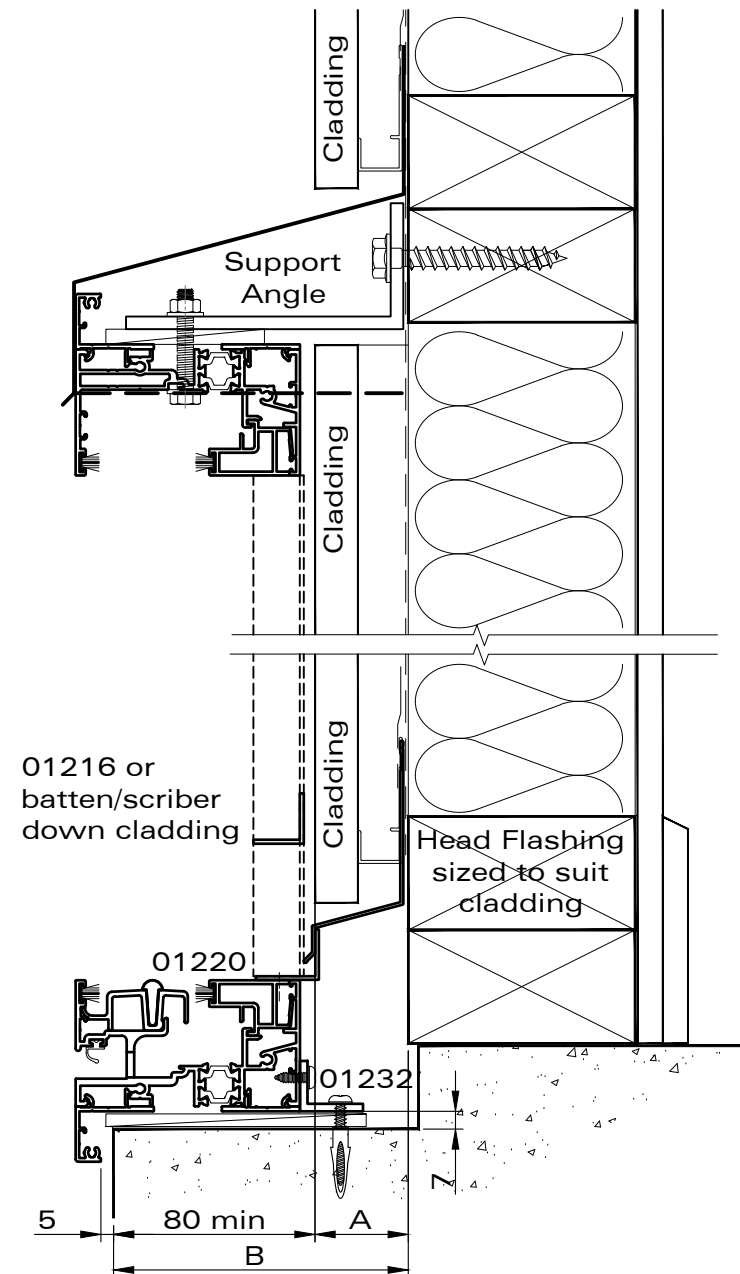


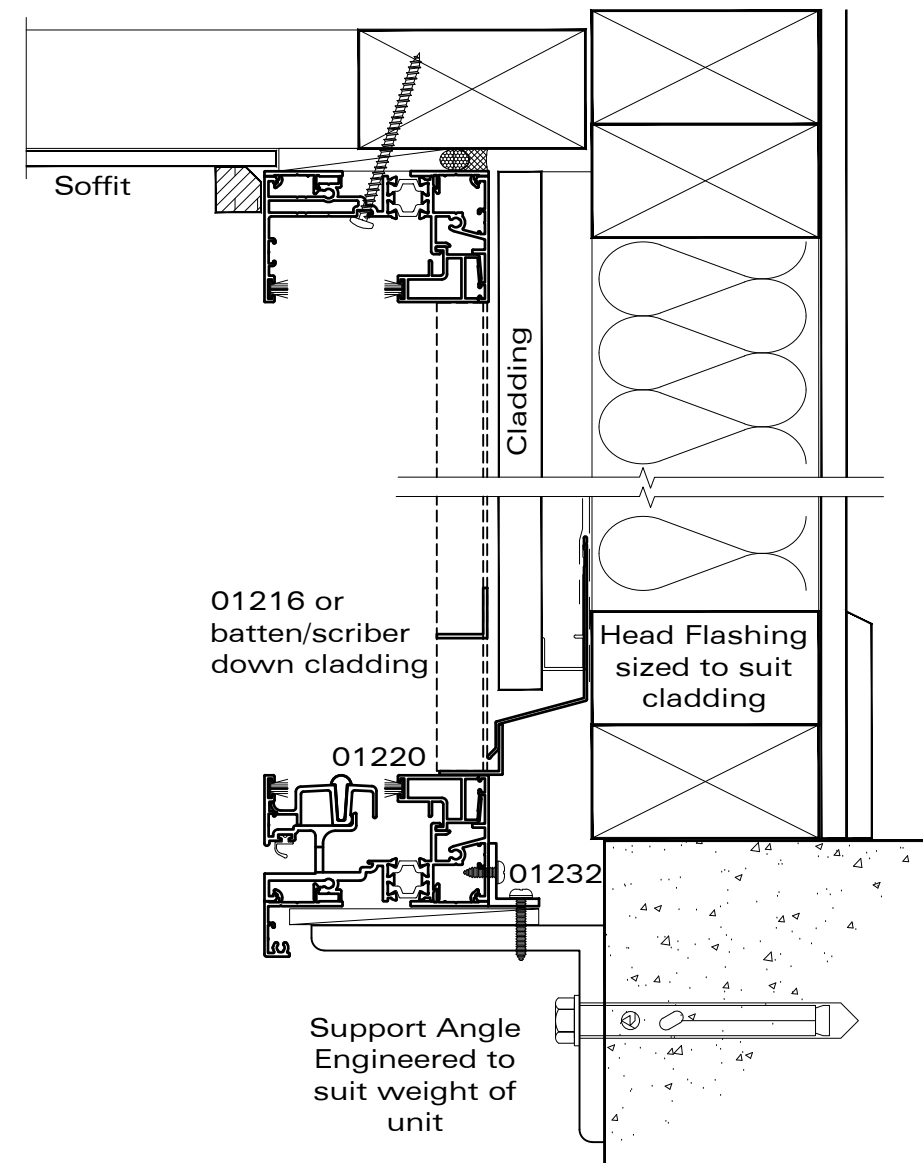
Details on this page are indicative only. Responsibility for flashing design and cladding junctions remain with the designer of the building. Support angles and built out framing will need to be engineered to suit the application.



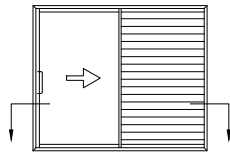
Rebate Height (X) = 58 - (Y) Flooring Thickness



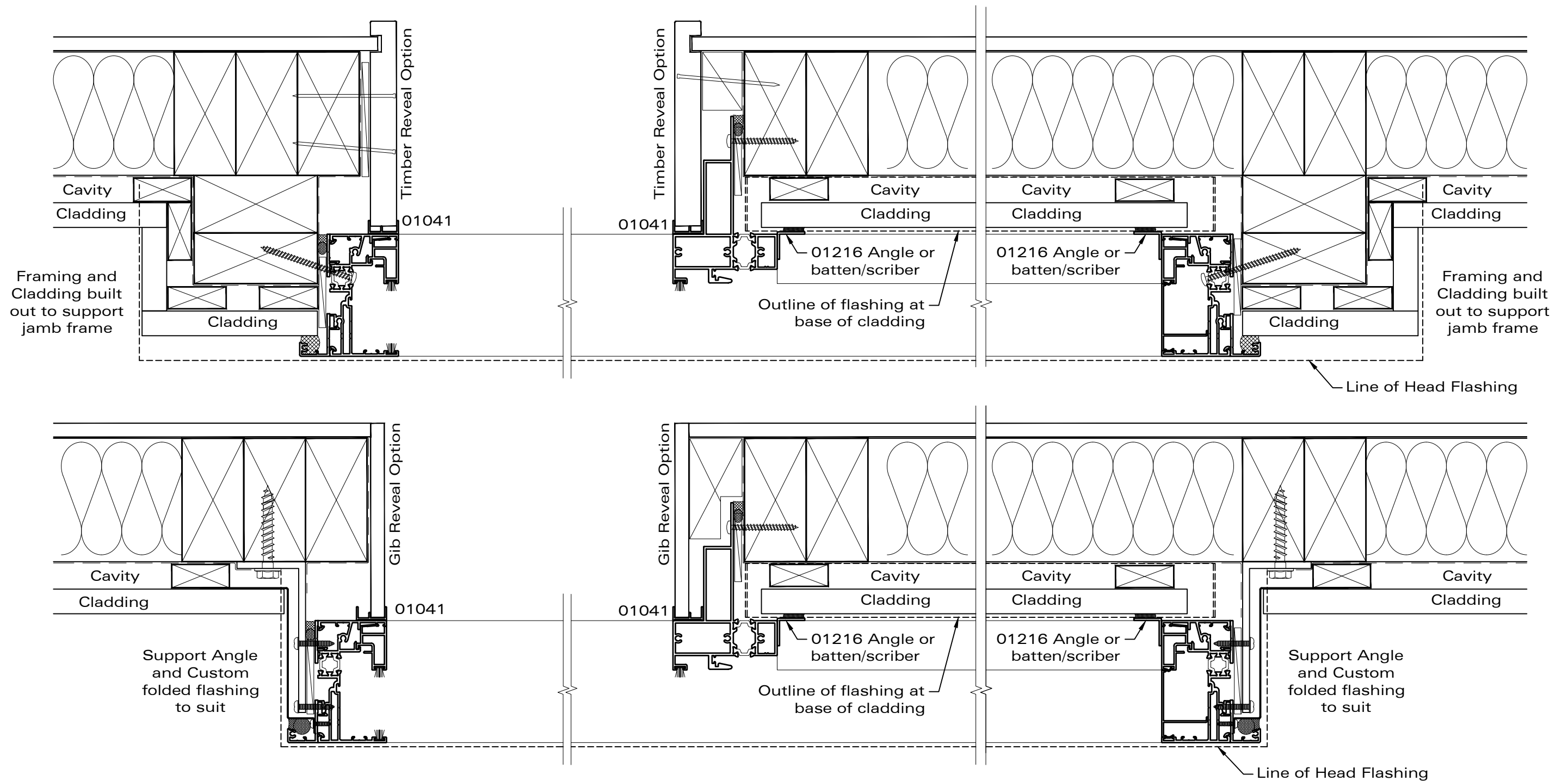
Rebate Depth (B) = 80 + (A) Cladding Thickness

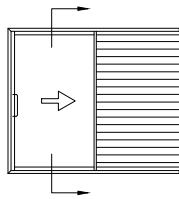


Alternative Sill and Head Support Options

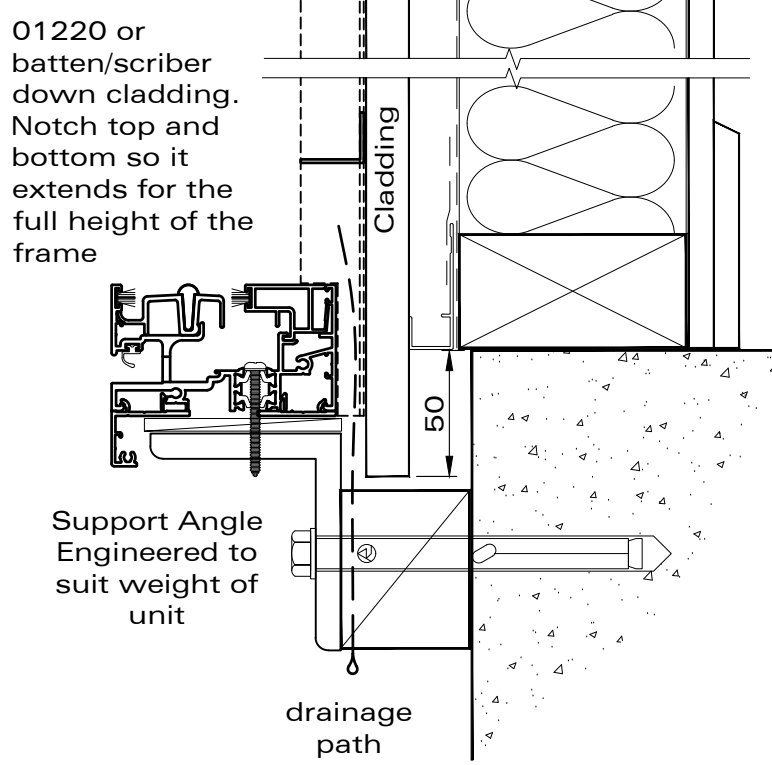
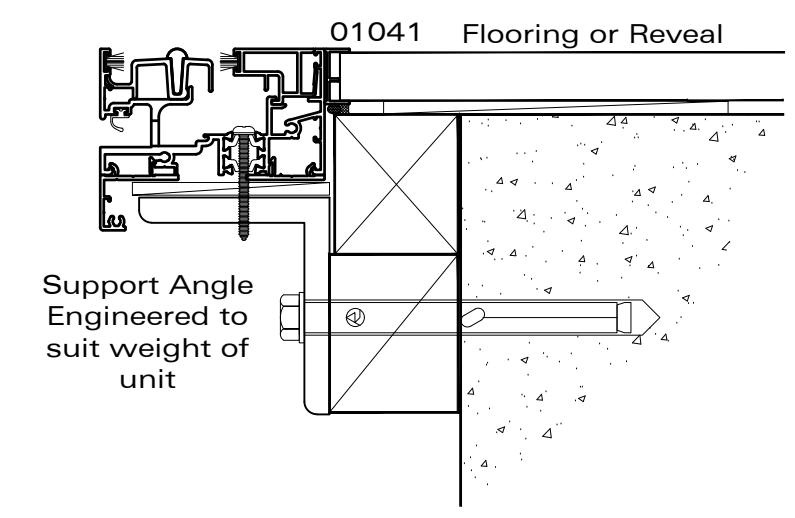
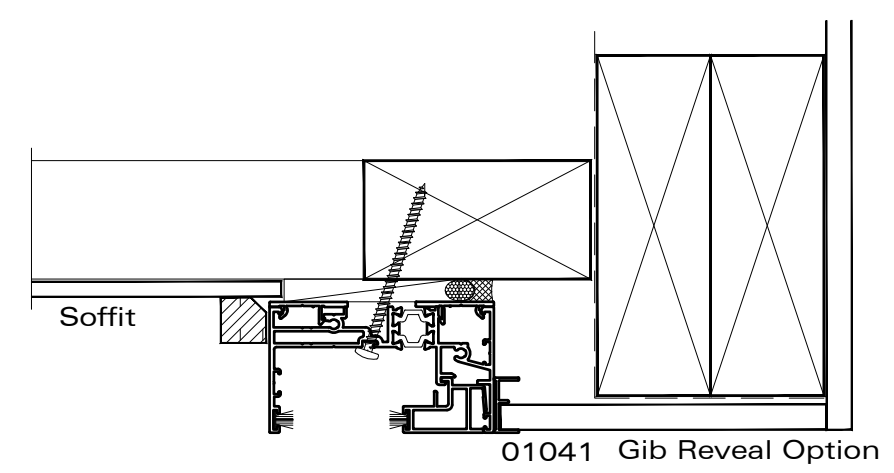
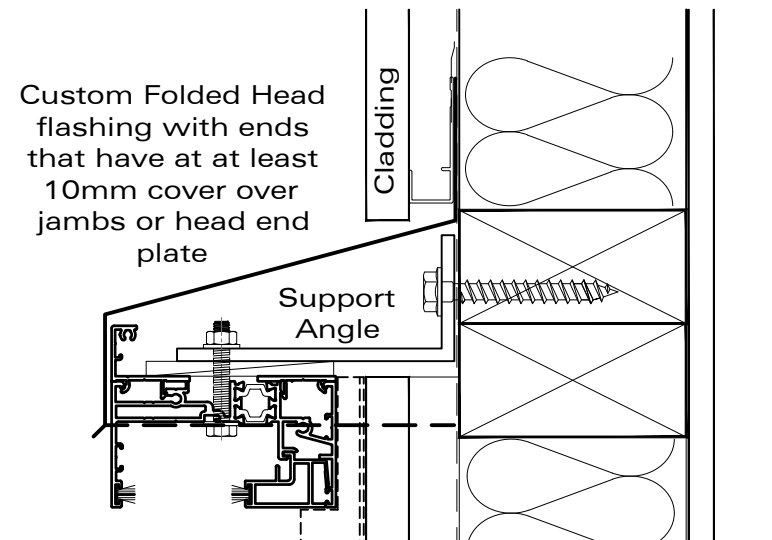
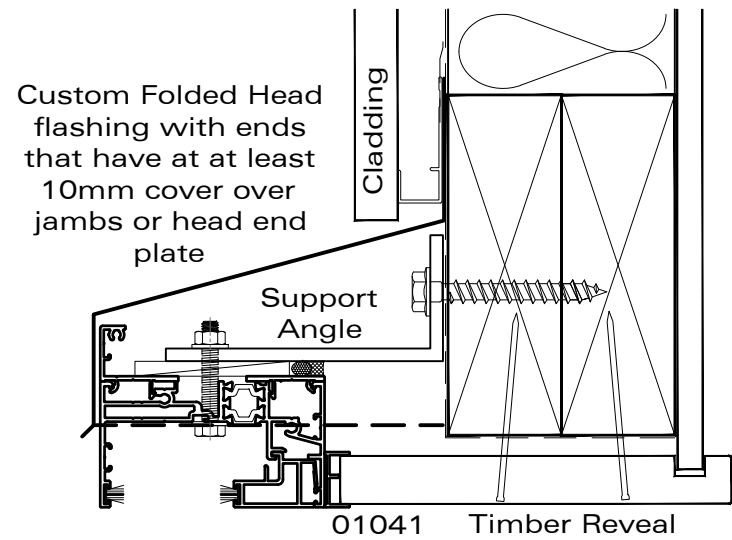
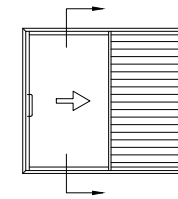
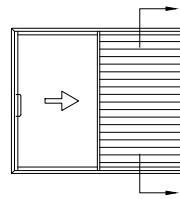


Details on this page are indicative only. Responsibility for flashing design and cladding junctions remain with the designer of the building. Support angles and built out framing will need to be engineered to suit the application.

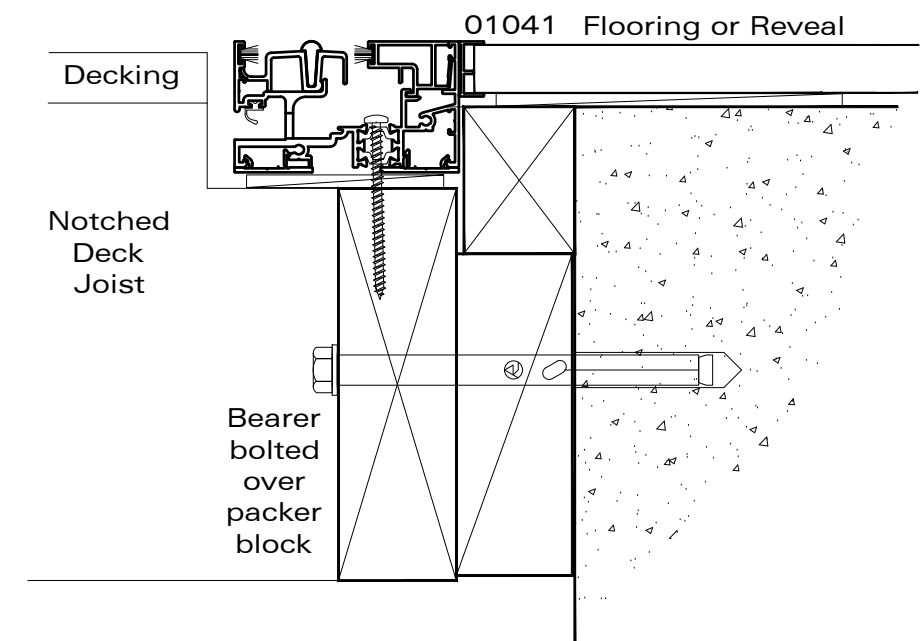


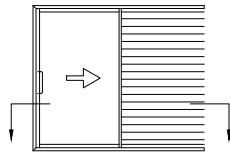


Details on this page are indicative only. Responsibility for flashing design and cladding junctions remain with the designer of the building. Support angles and built out framing will need to be engineered to suit the application.

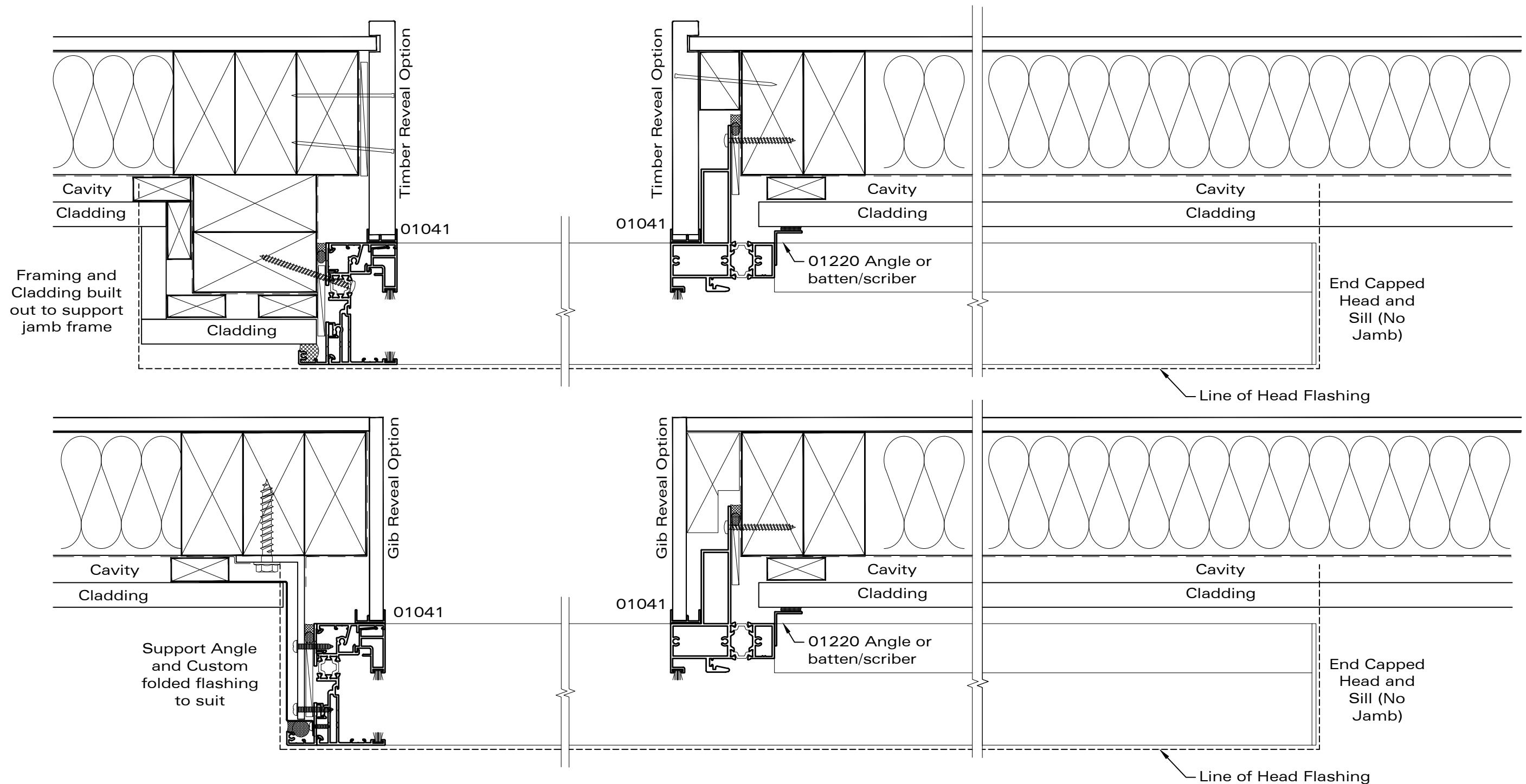


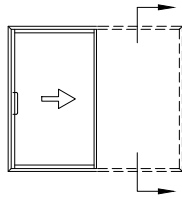
Alternative Interior finishing and Sill/Head Support Options



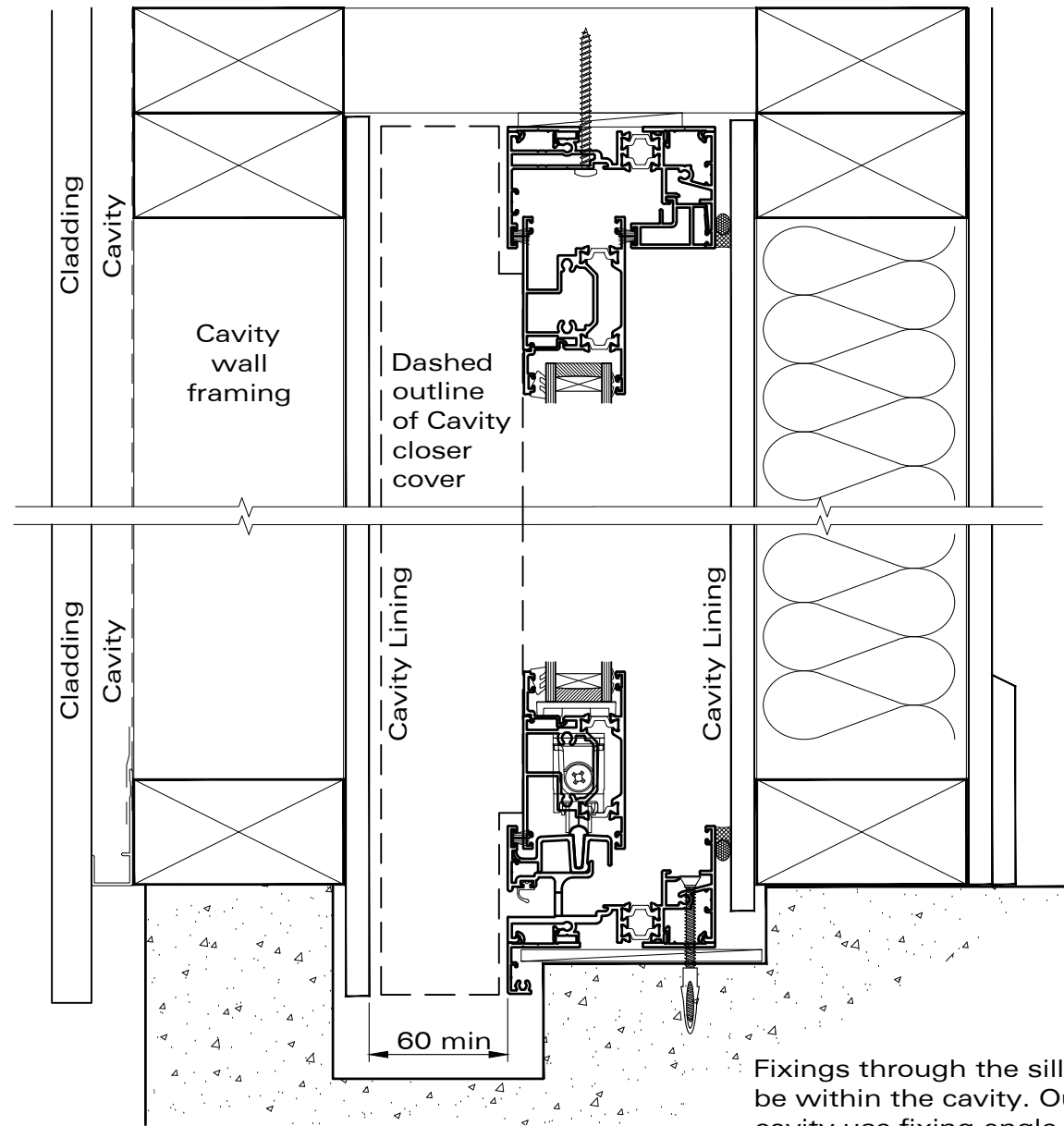


Details on this page are indicative only. Responsibility for flashing design and cladding junctions remain with the designer of the building. Support angles and built out framing will need to be engineered to suit the application.

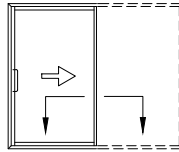




Details on this page are indicative only. Responsibility for flashing design and cladding junctions remain with the designer of the building.
it is optional whether a jamb frame is used inside the cavity. Refer to over wall Sectionals for ideas on detailing the frame outside of the cavity.



Fixings through the sill can only be within the cavity. Outside the cavity use fixing angle on back edge of sill.



Details on this page are indicative only. Responsibility for flashing design and cladding junctions remain with the designer of the building. it is optional whether a jamb frame is used inside the cavity. Refer to over wall Sectionals for ideas on detailing the locking end Jamb Frame.

