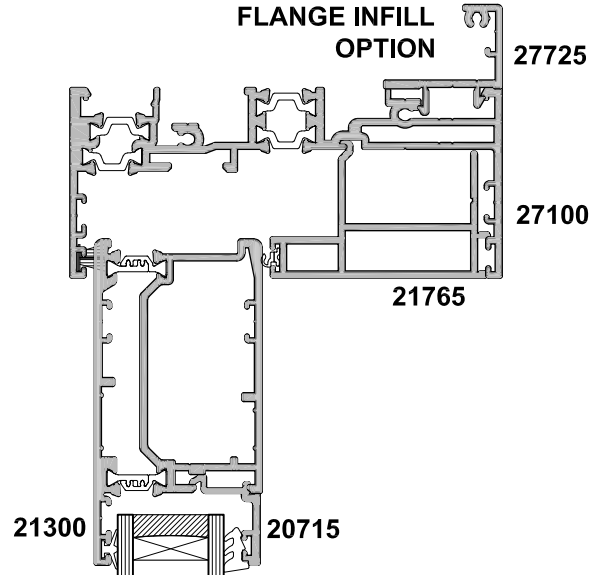
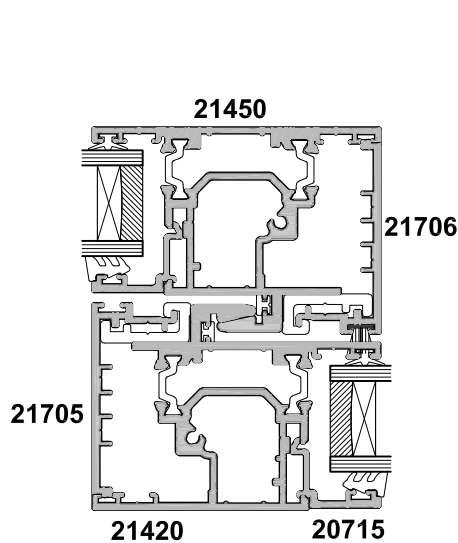
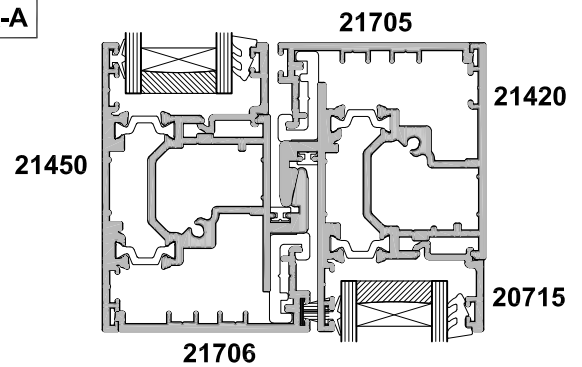


**EXTERNAL 90°
CORNER**

**FLANGE INFILL
OPTION**



SECTION A-A



**D-PULLS HANDLE
OPTION**

