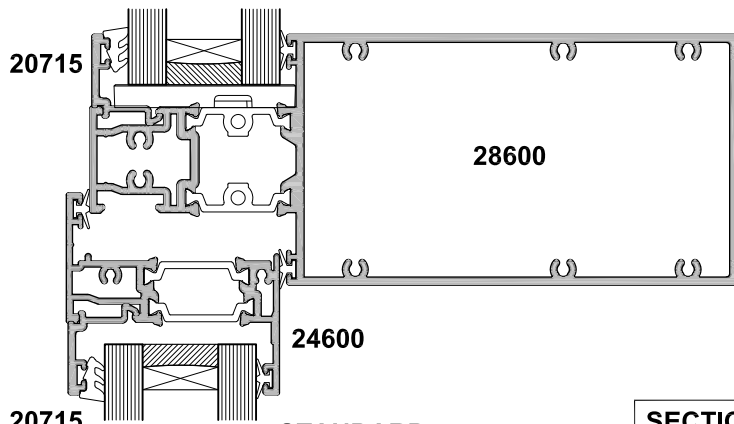
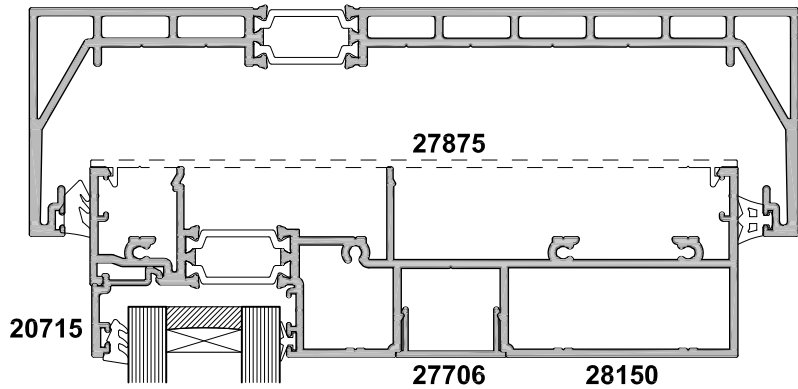
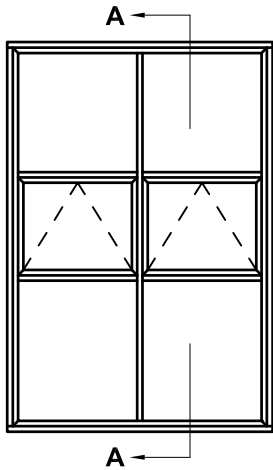


**32010
SEISMIC HEAD
EXTERNALLY BEADED OPTION**



**20715 STANDARD
20715 SASH OPTION**

SECTION A-A

