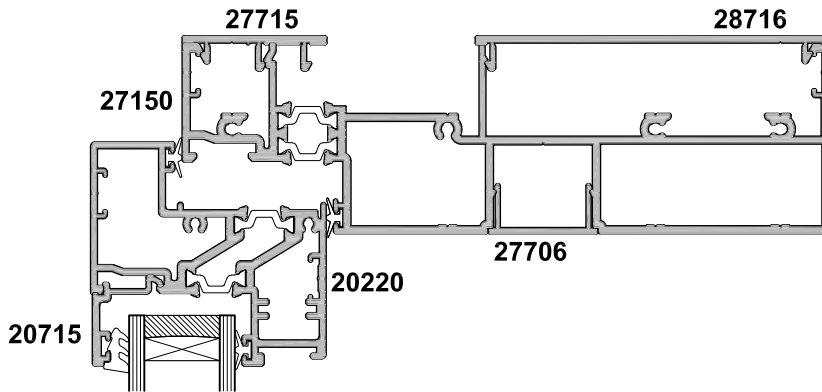


FLAT INFILL OPTION



**VENTED SASH
OPTION**

SECTION A-A

