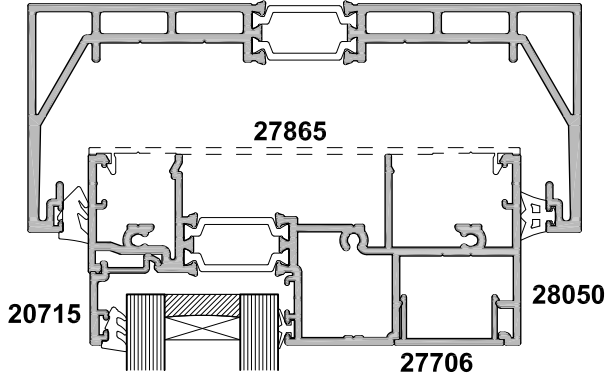
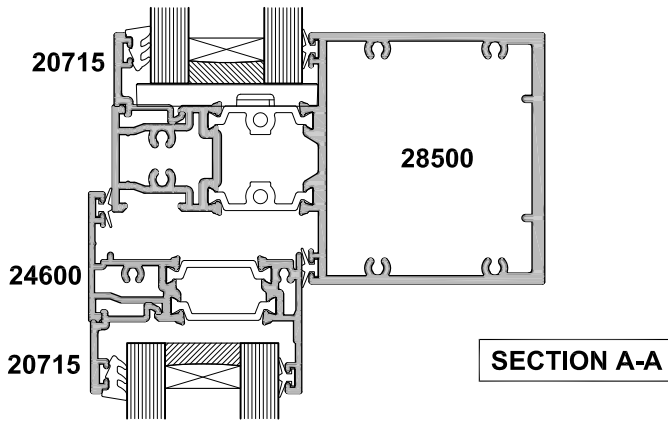
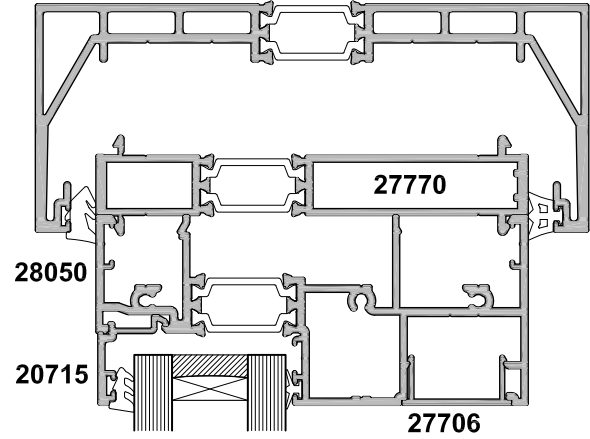


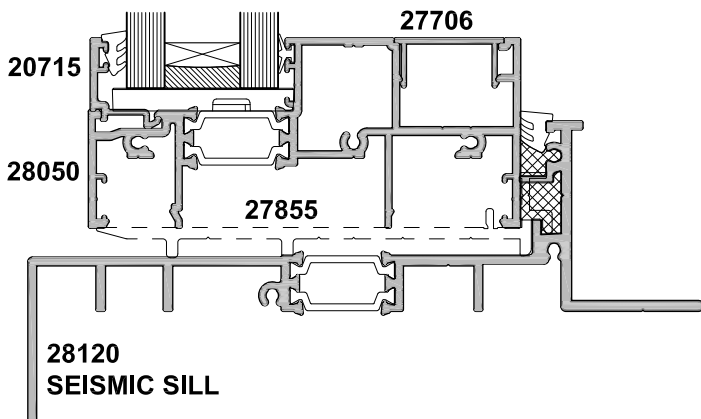
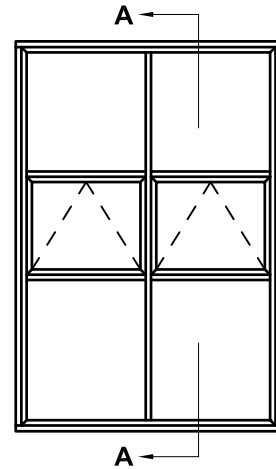
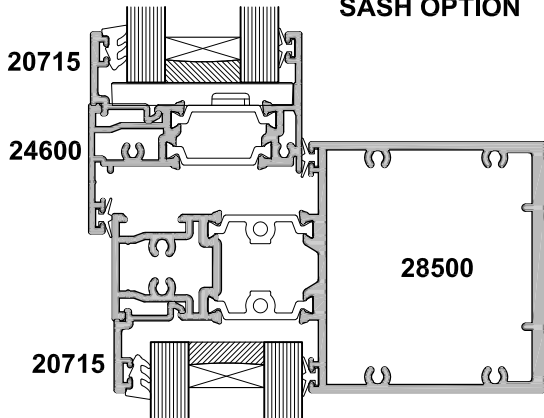
**31010
SEISMIC HEAD**



**31010
SEISMIC HEAD OPTION
WITH BOX COUPLER**



**STANDARD
SASH OPTION**



**28120
SEISMIC SILL**