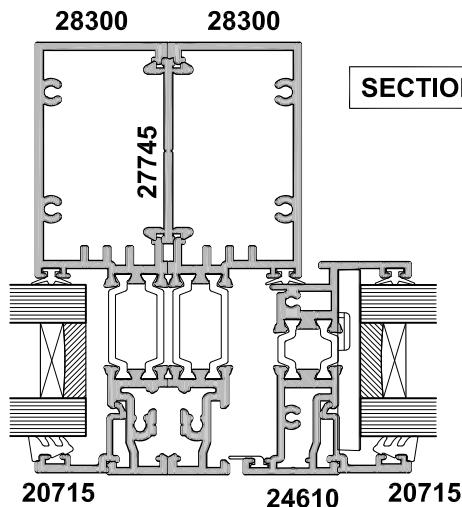
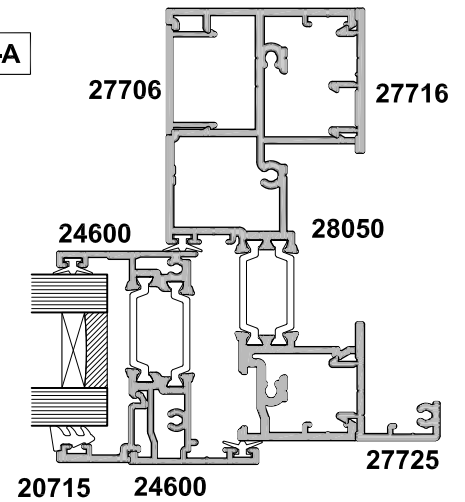


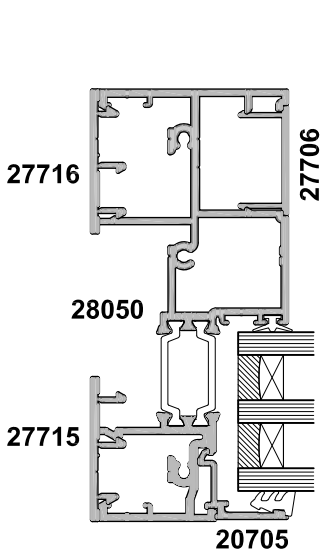
FLANGE INFILL OPTION



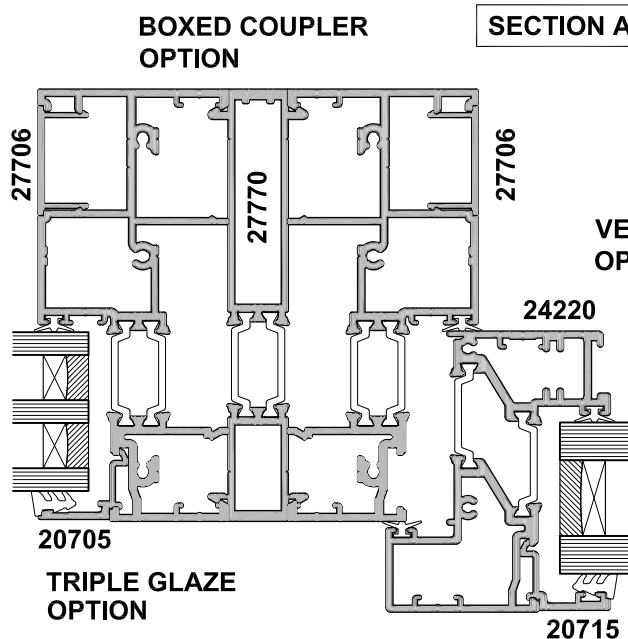
NON-FACING SASH OPTION



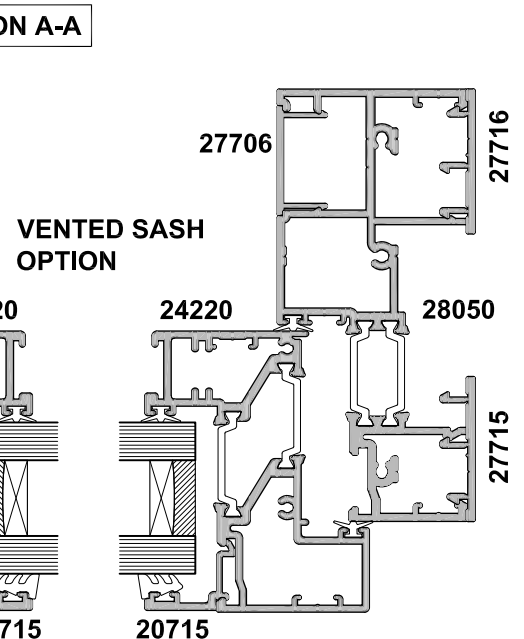
STANDARD SASH OPTION



FLAT INFILL OPTION



TRIPLE GLAZE OPTION



VENTED SASH OPTION