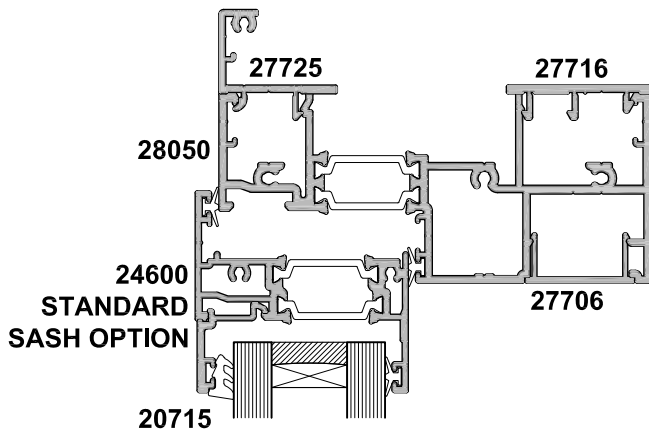
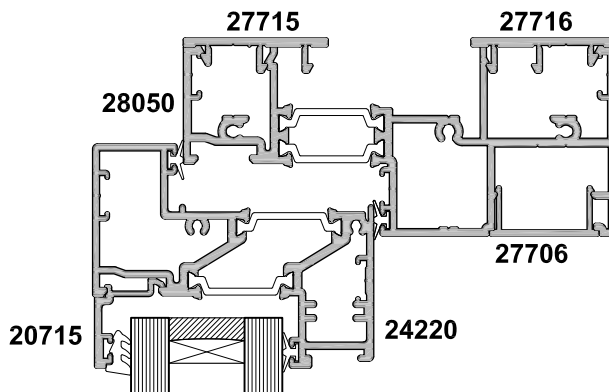


**FLANGE INFILL
OPTION**

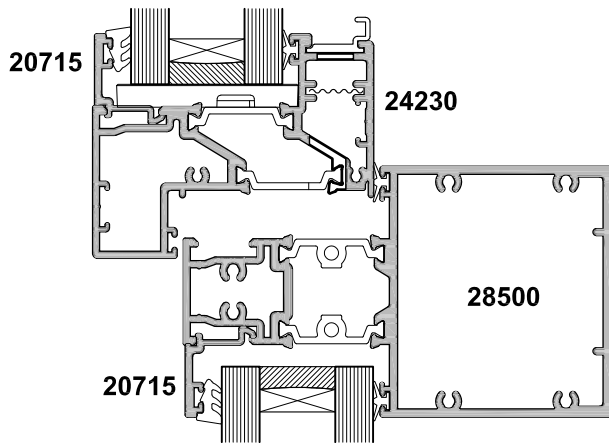


FLAT INFILL OPTION

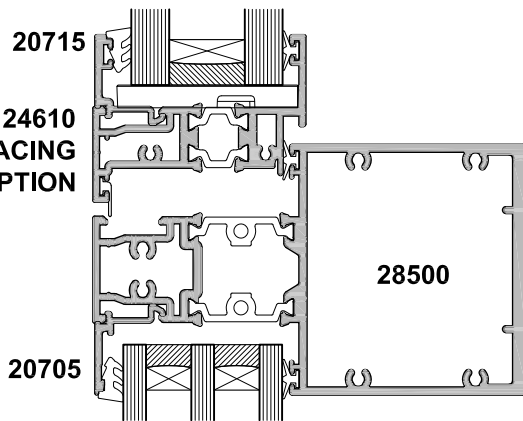


SECTION A-A

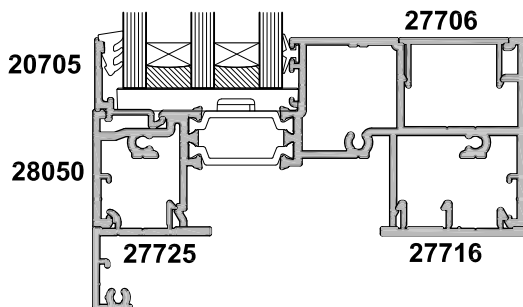
**VENTED SASH
OPTION**



**NON-FACING
SASH OPTION**



**TRIPLE GLAZE
OPTION**



**FLANGE INFILL
OPTION**

**SILL TRAY
OPTION**

