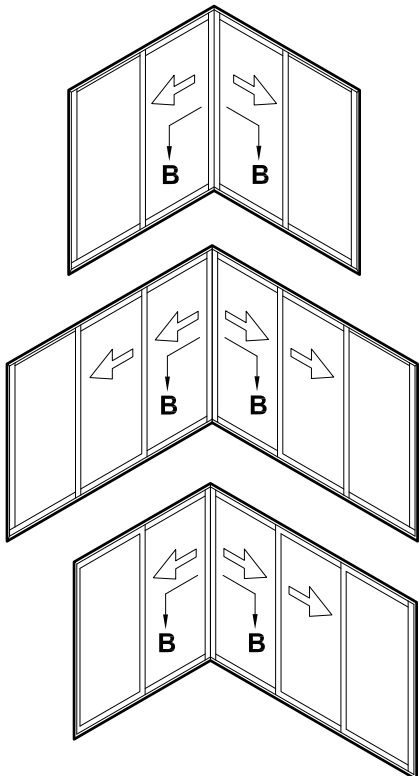
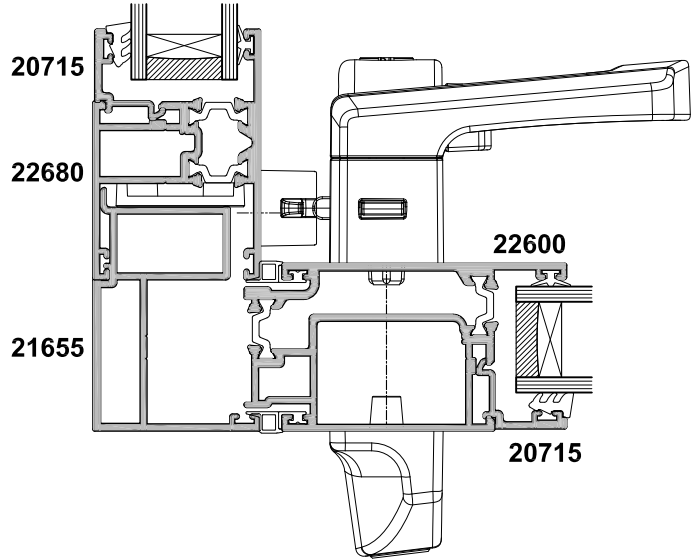


**SECTION A-A**

**EXTERNAL CORNER**



**SECTION B-B**

**INTERNAL CORNER**

