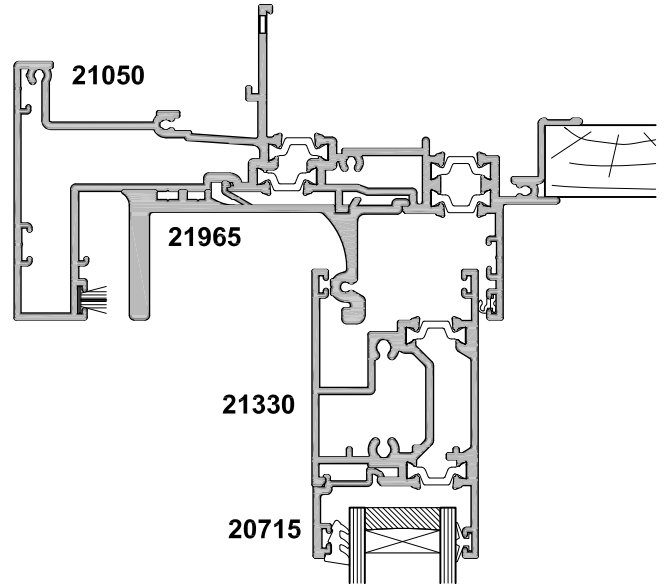
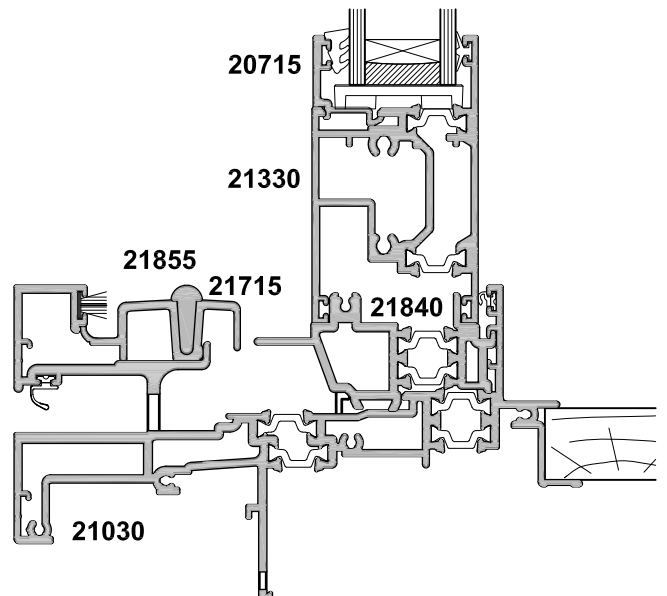
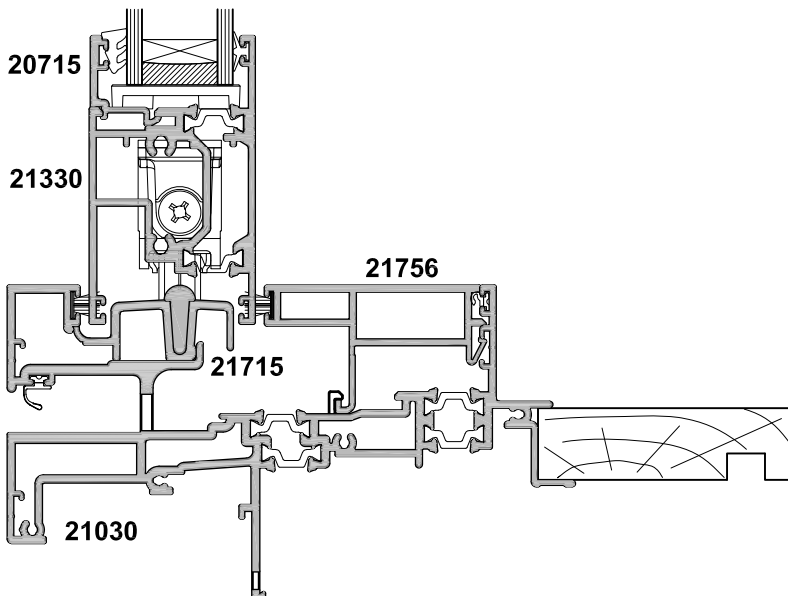
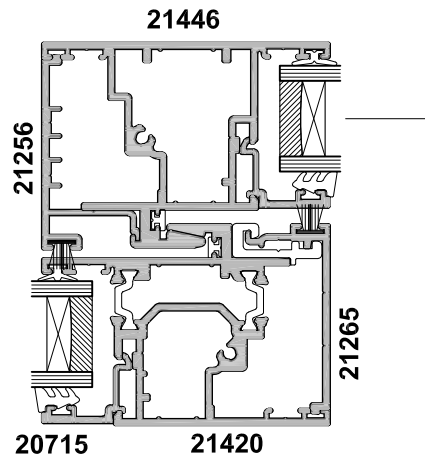
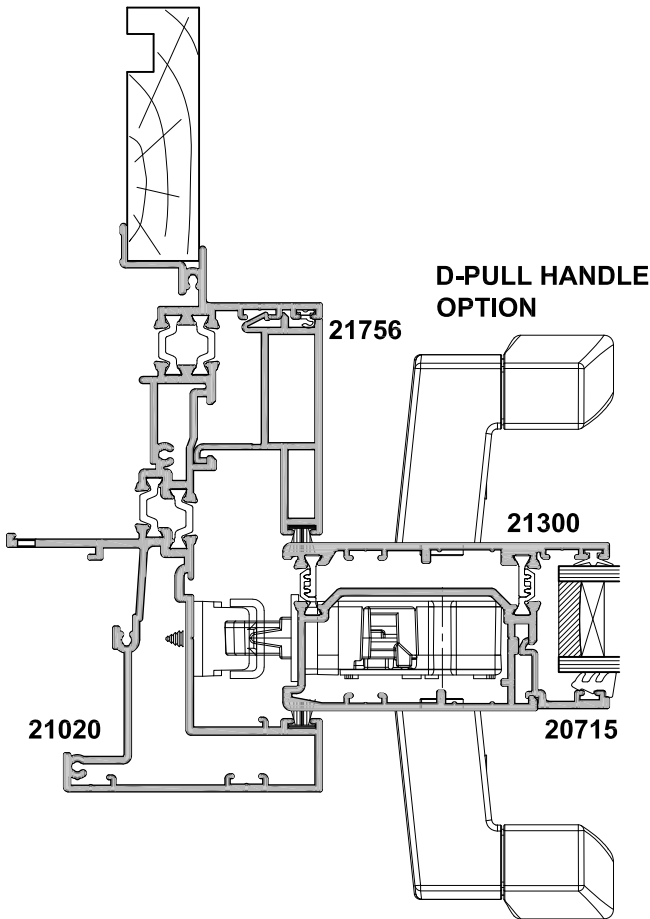
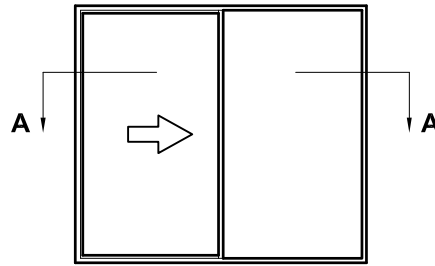


SECTION A-A

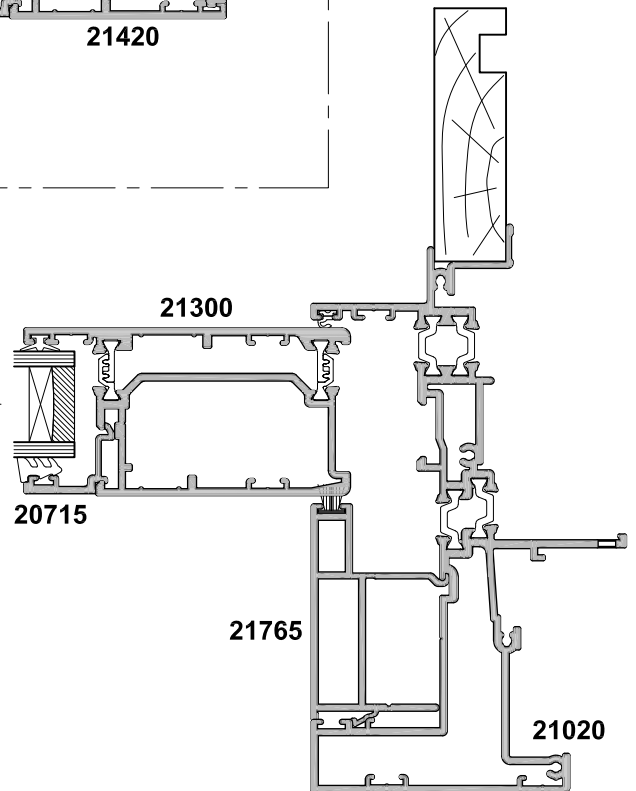
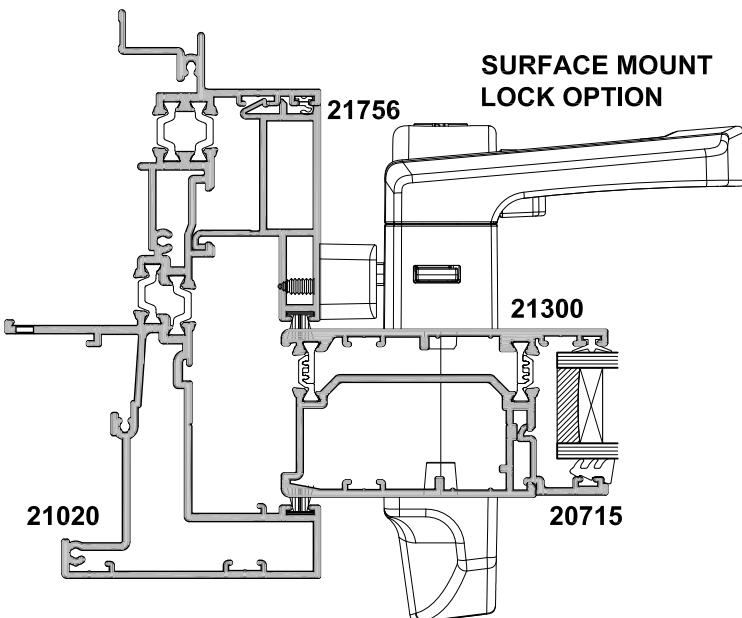


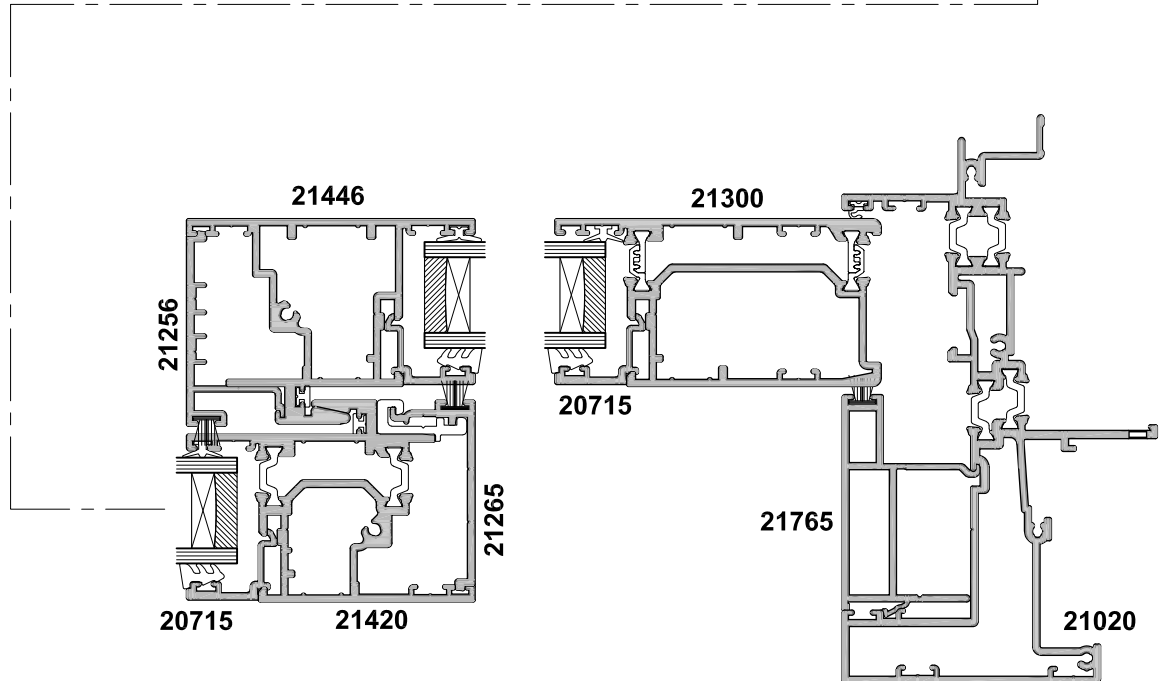
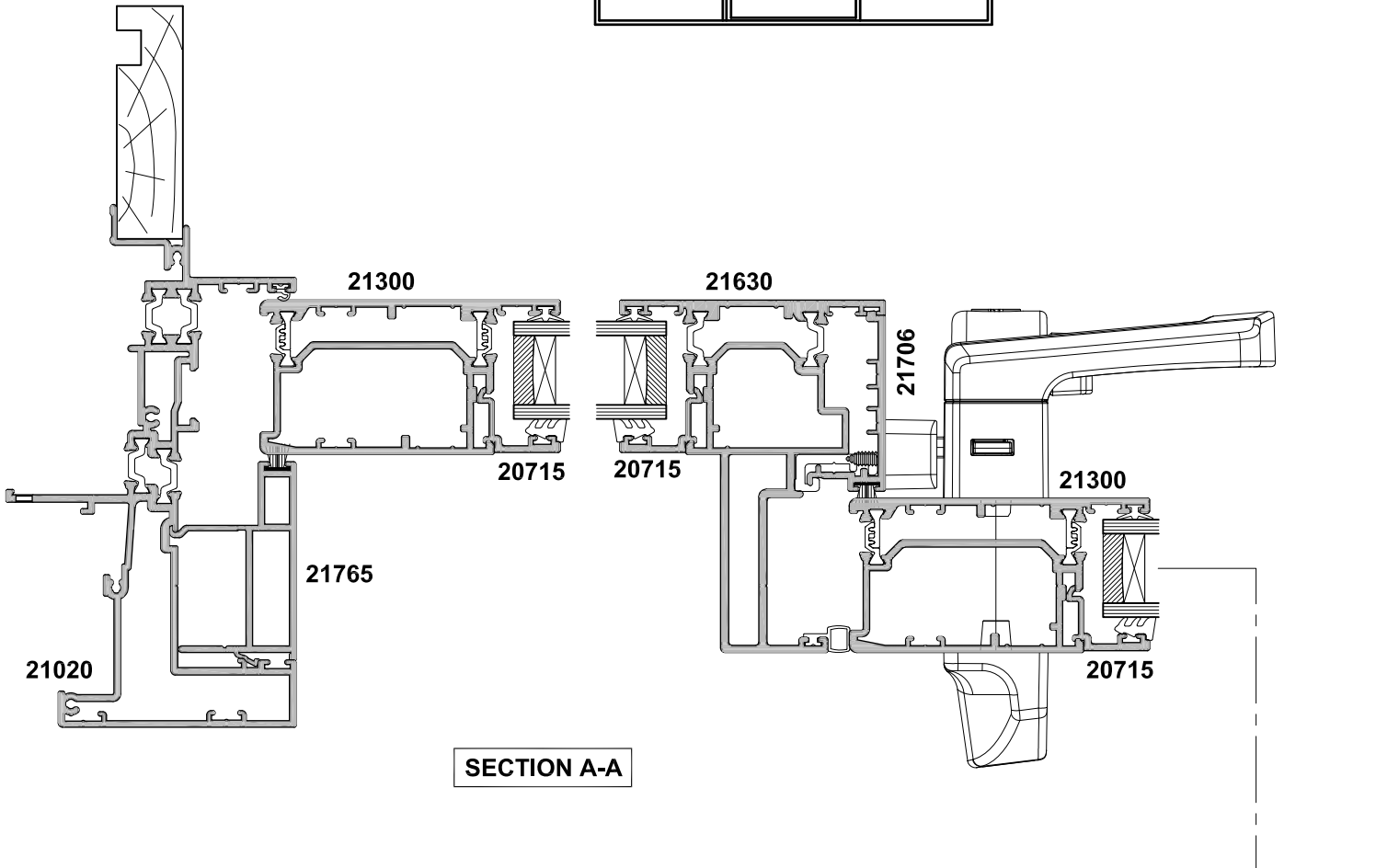
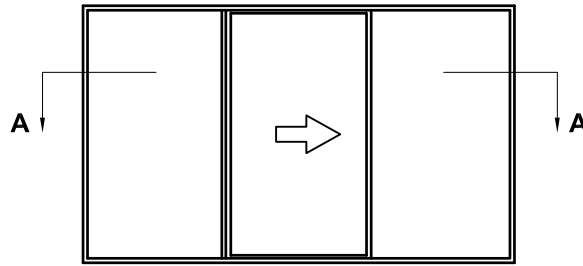
SECTION B-B

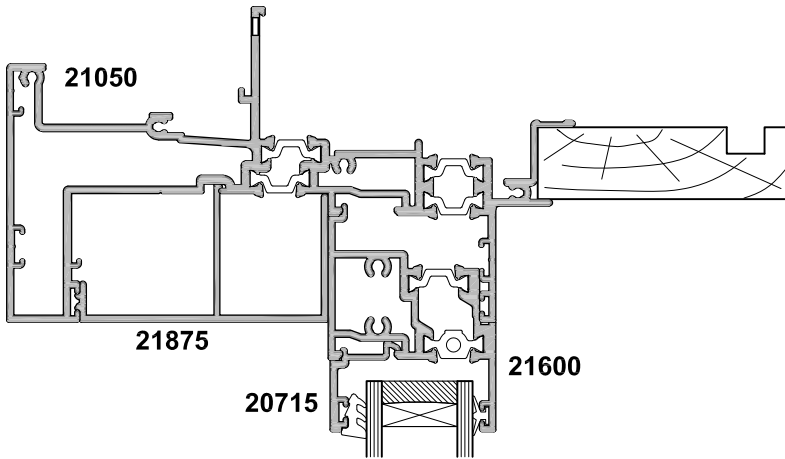
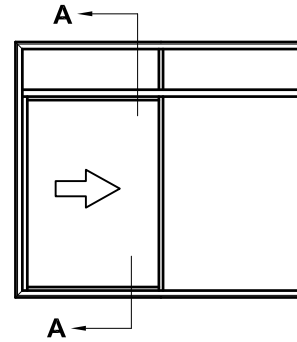




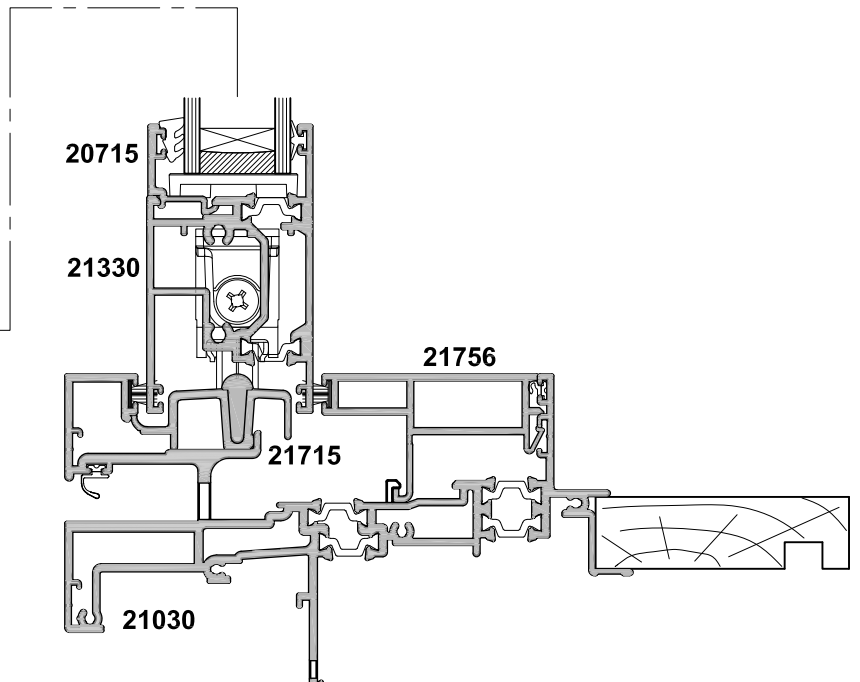
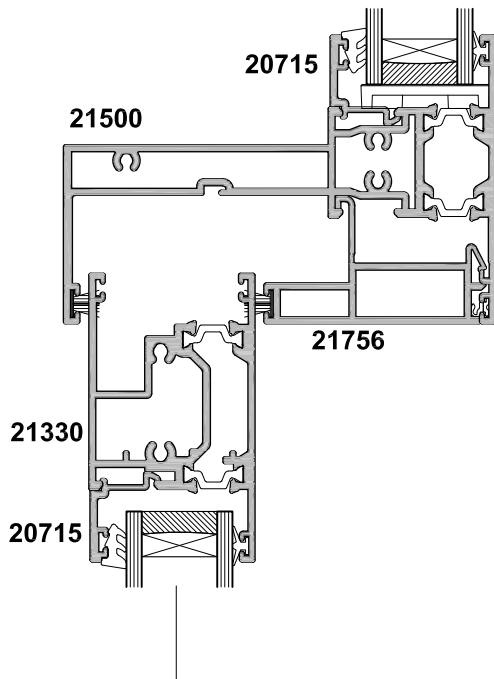
SECTION A-A

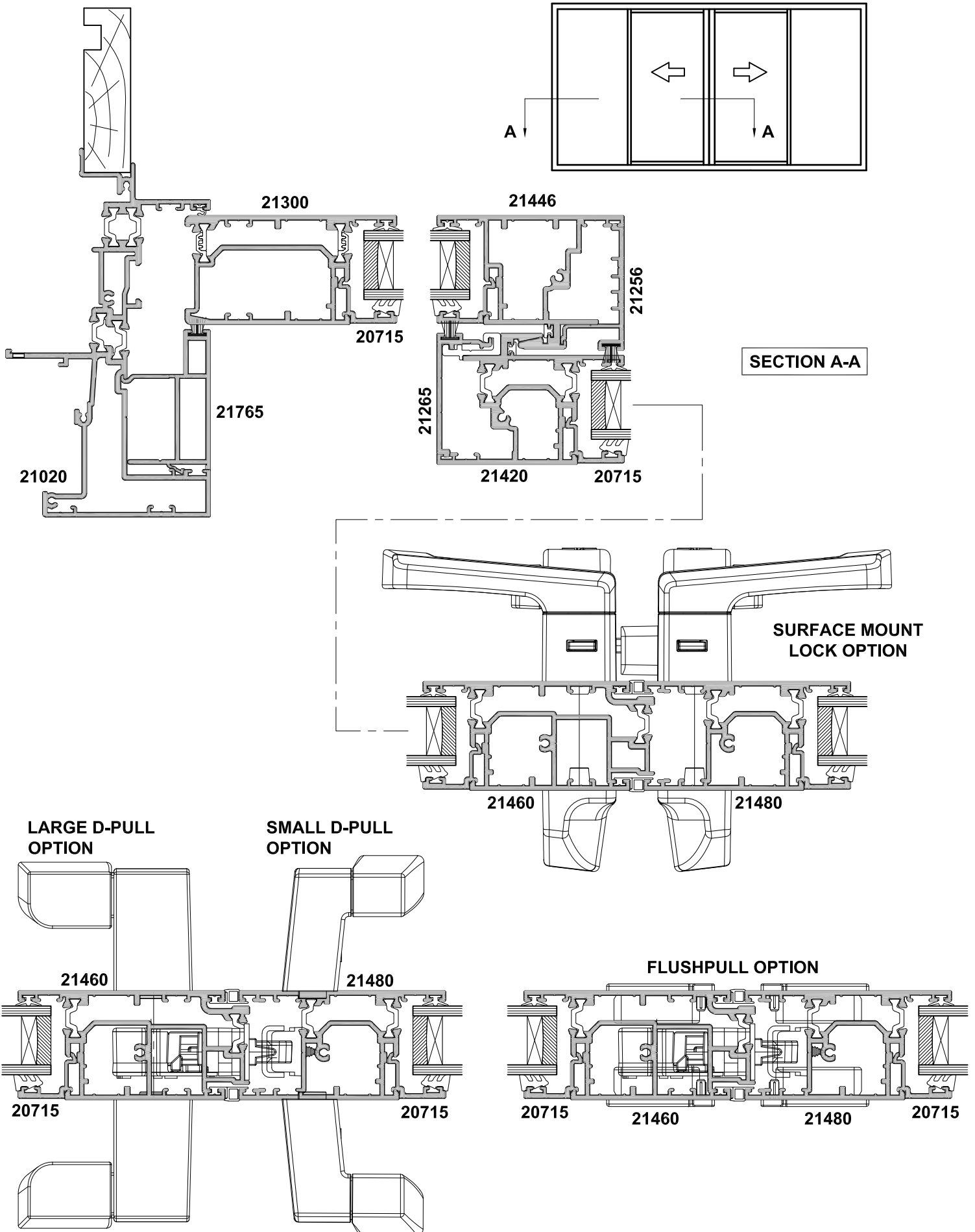


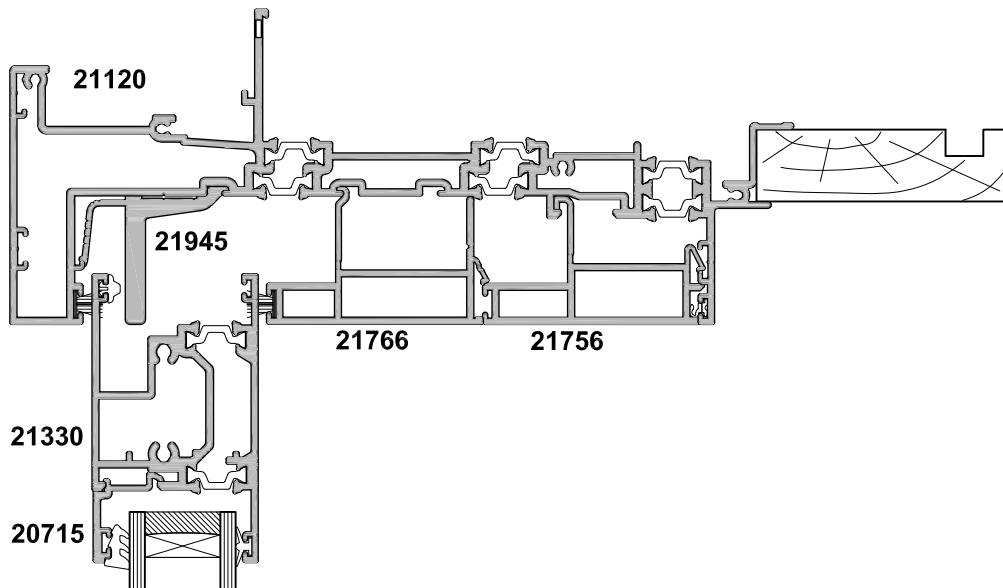
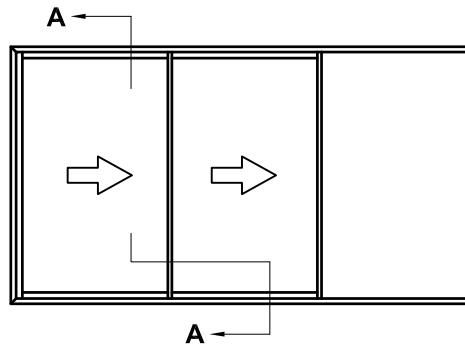




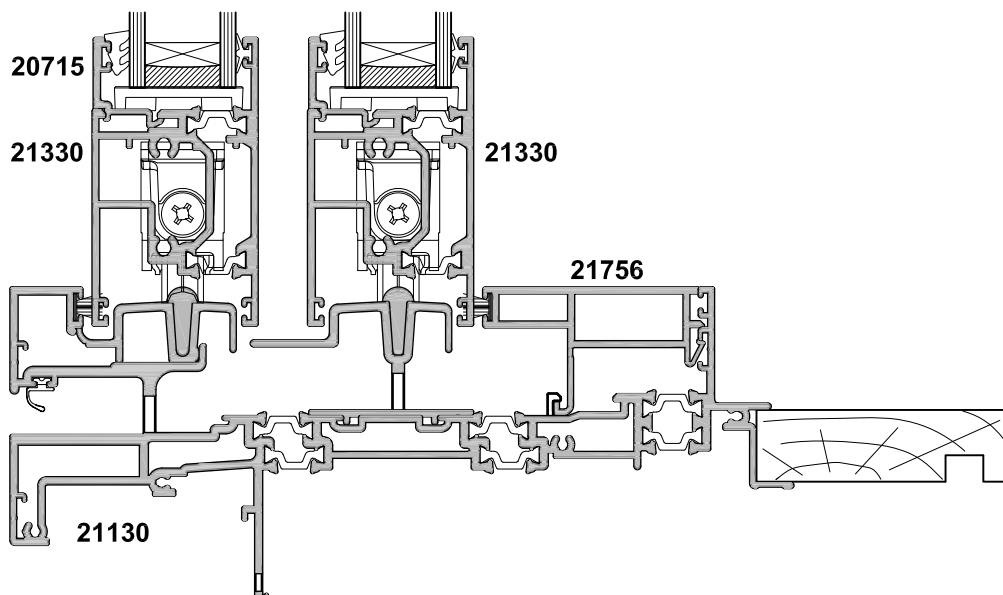
SECTION A-A

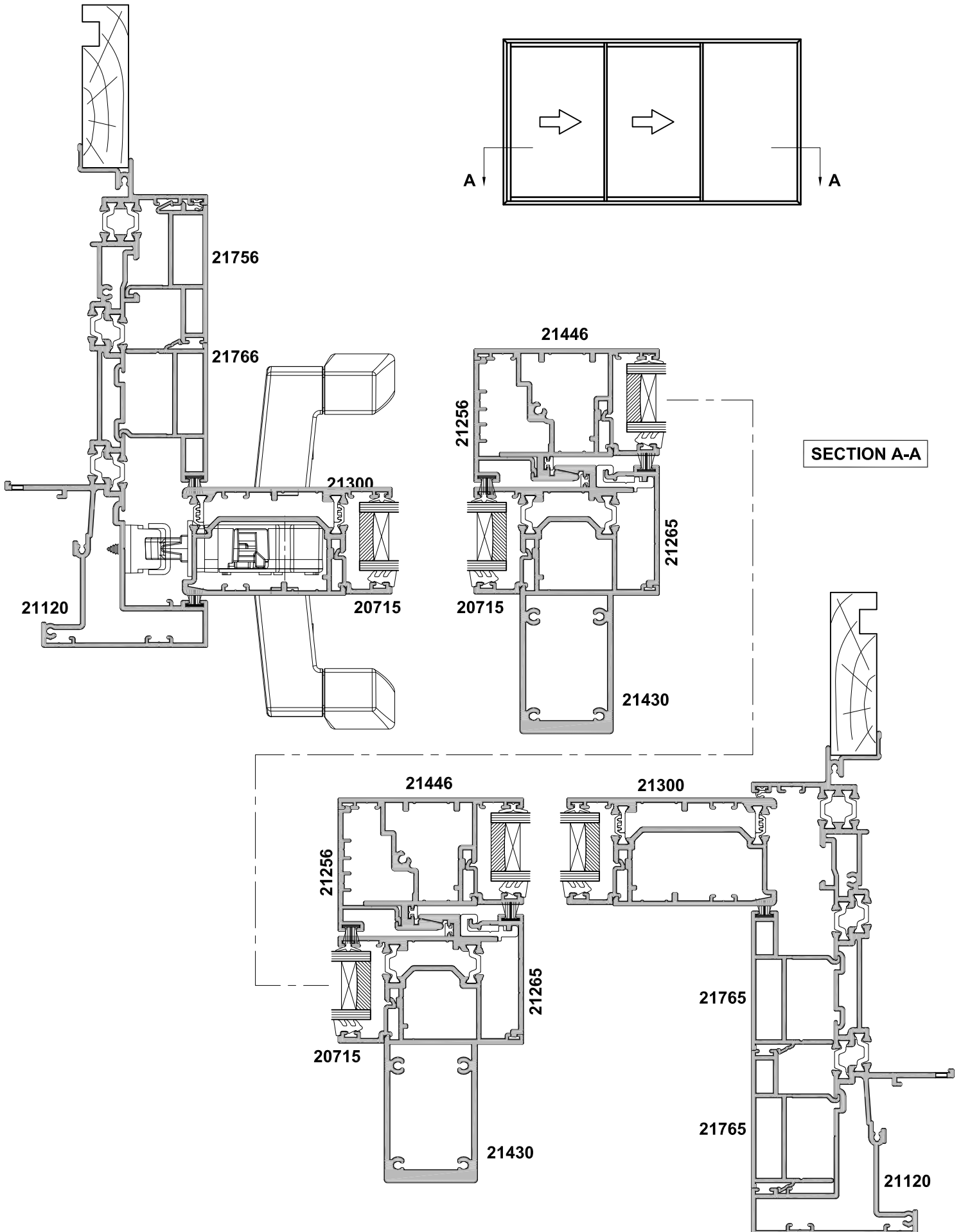


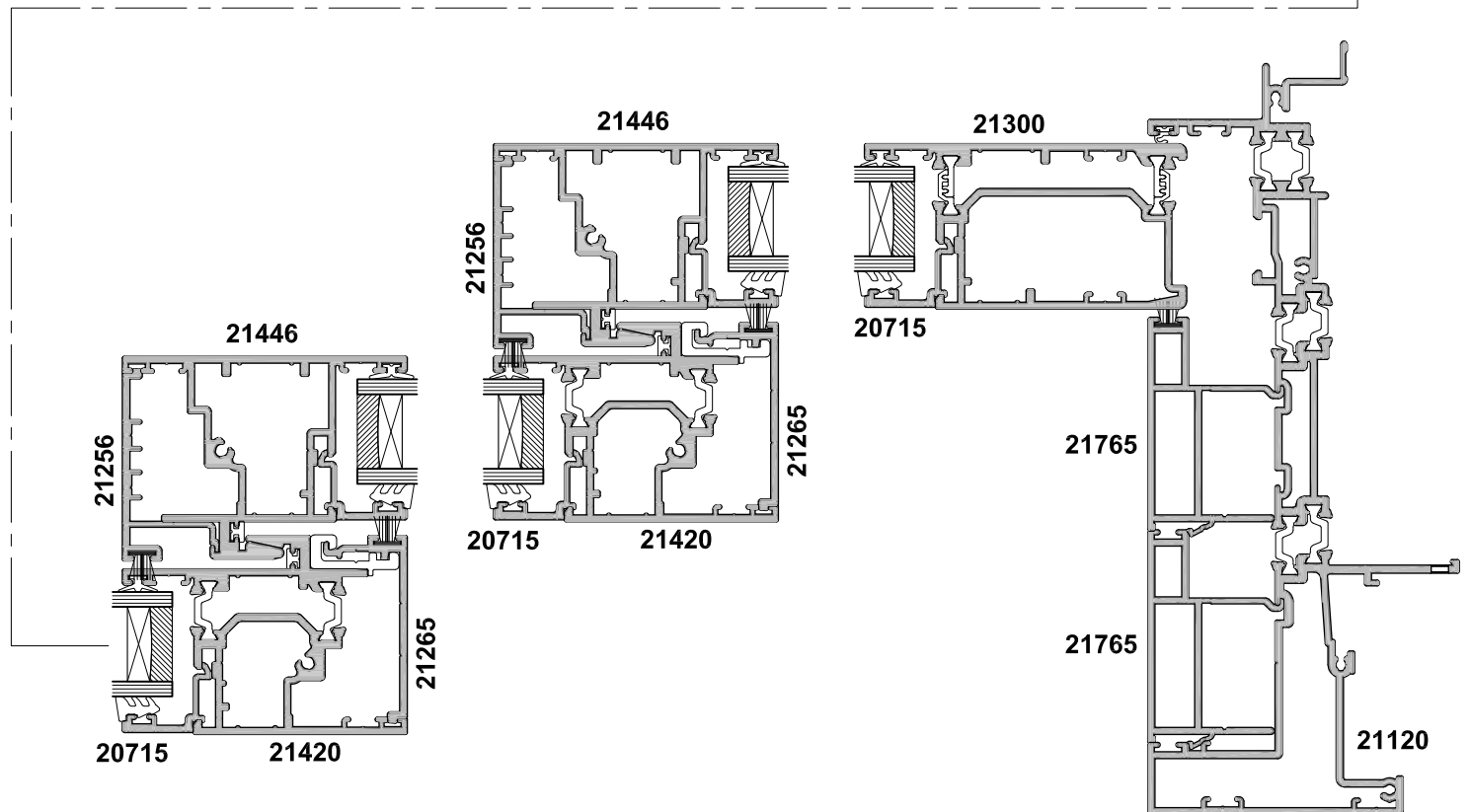
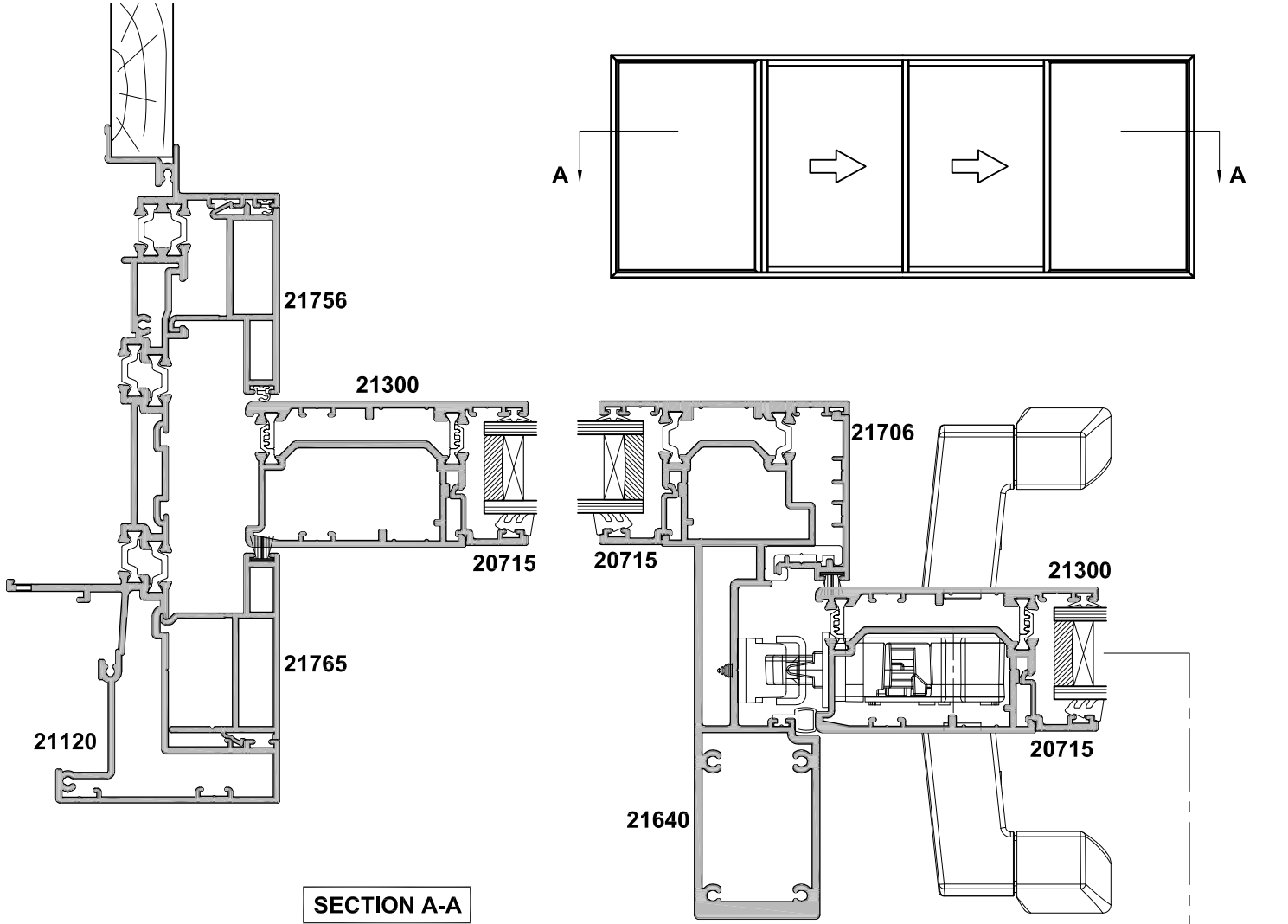


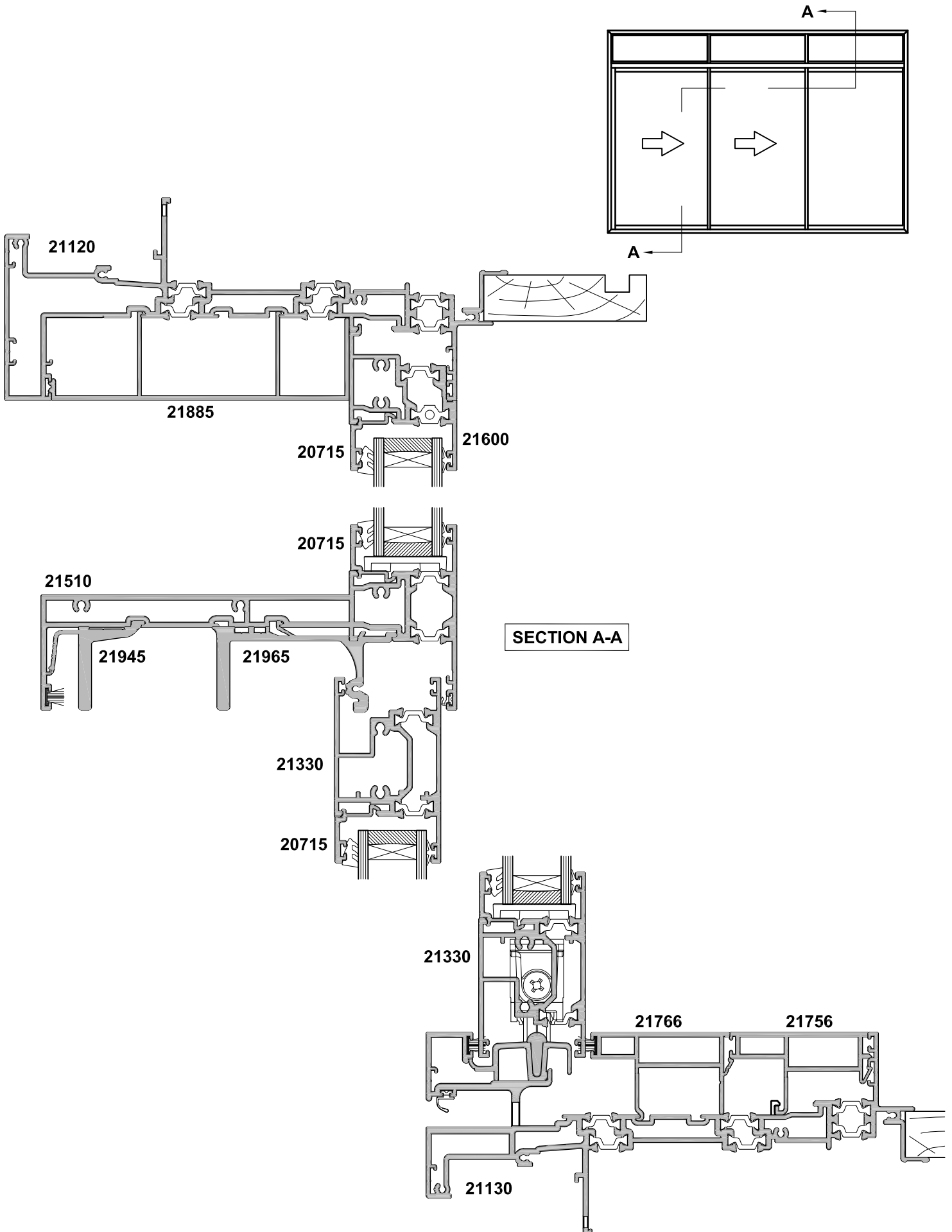


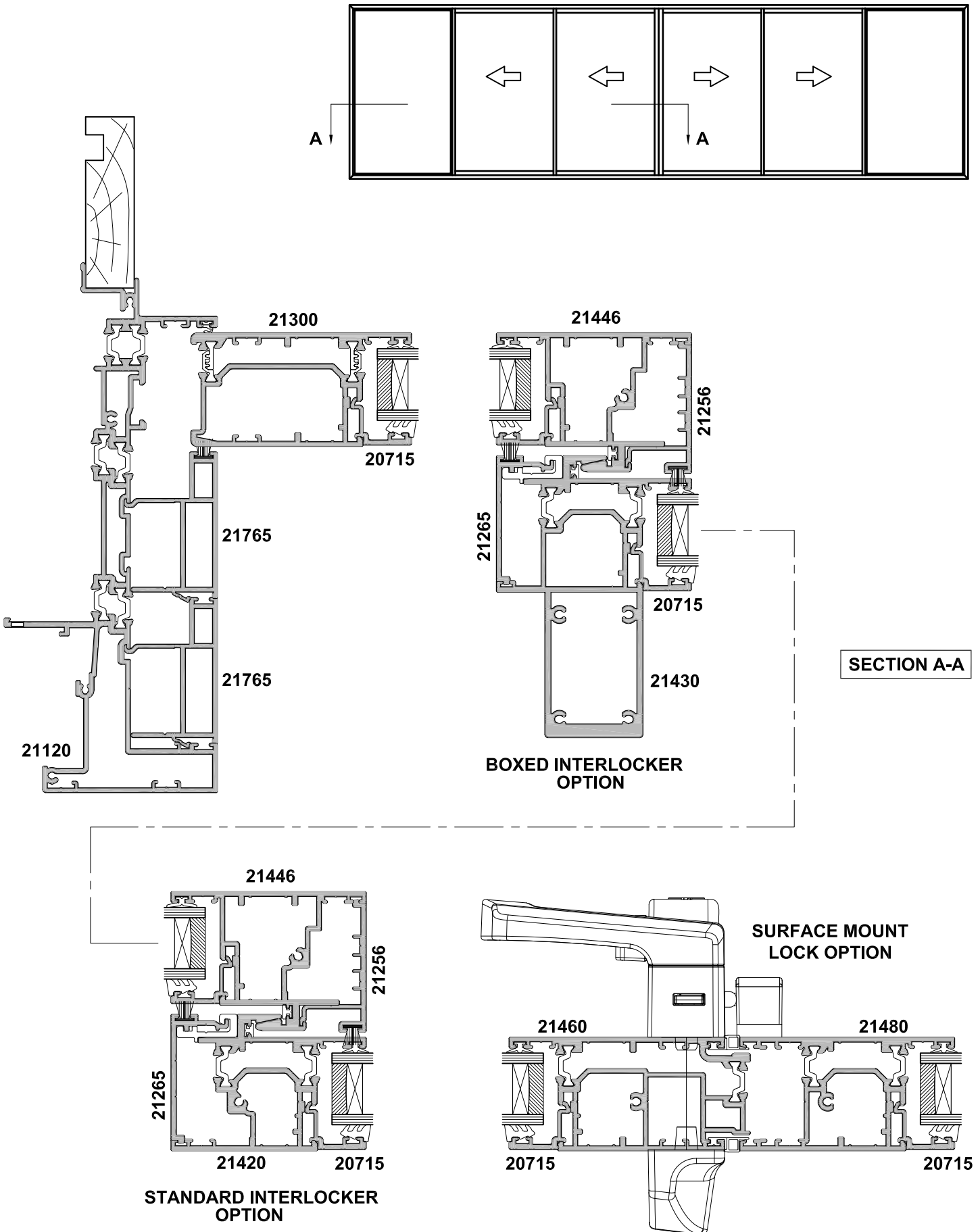
SECTION A-A

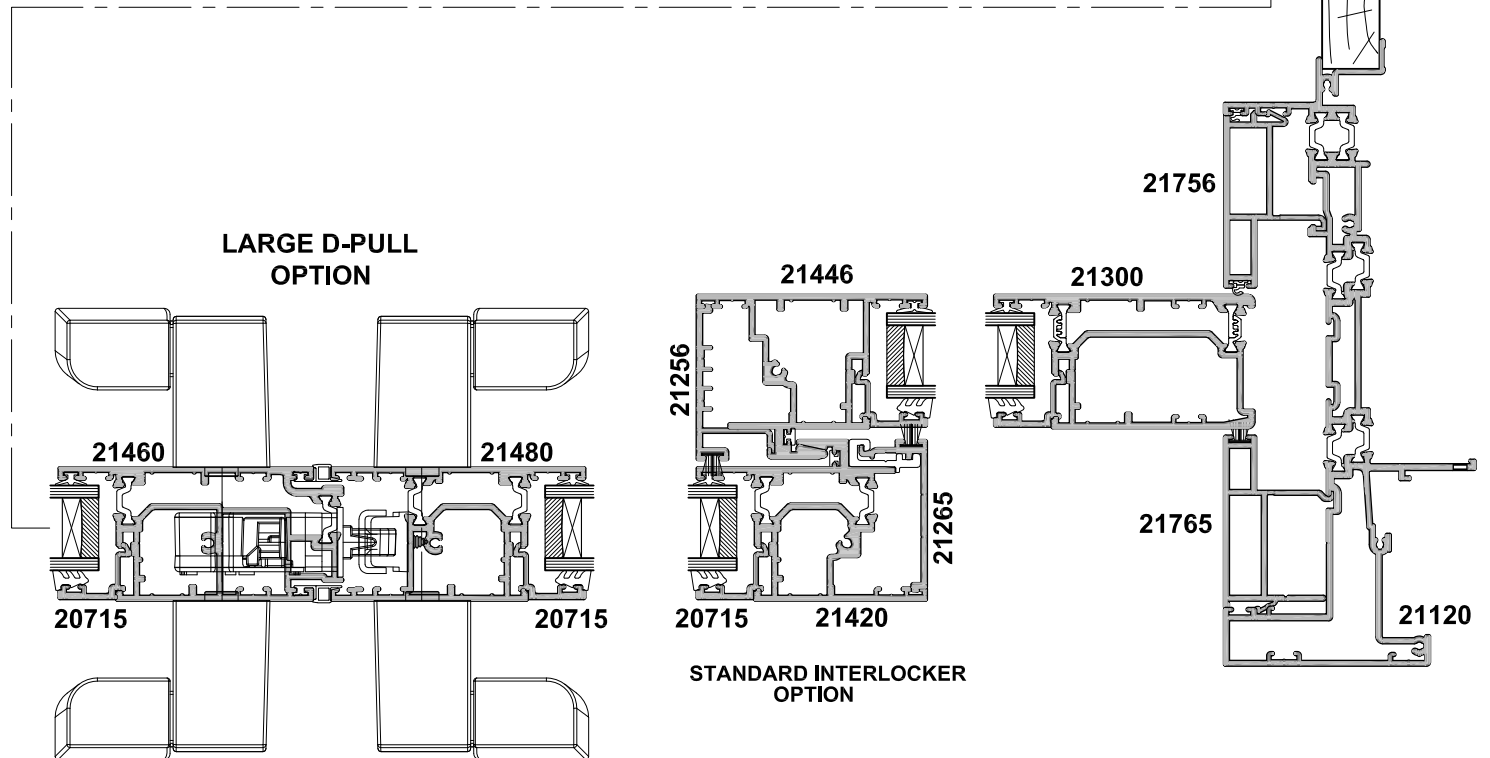
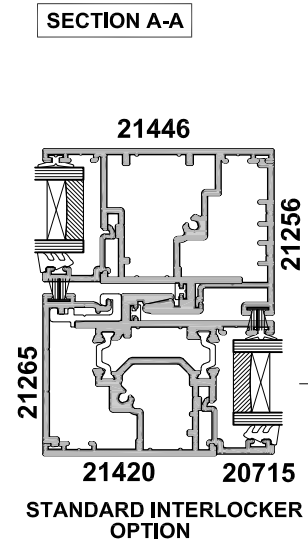
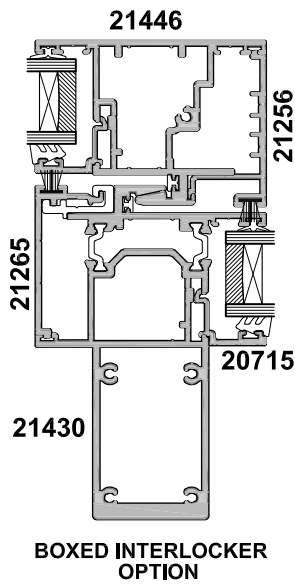
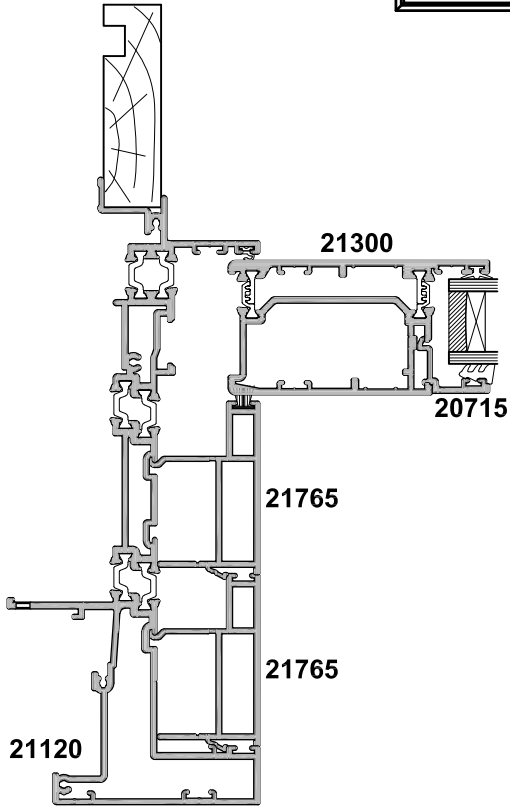
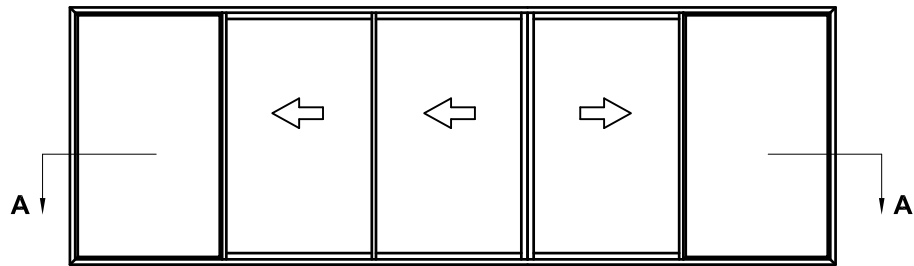


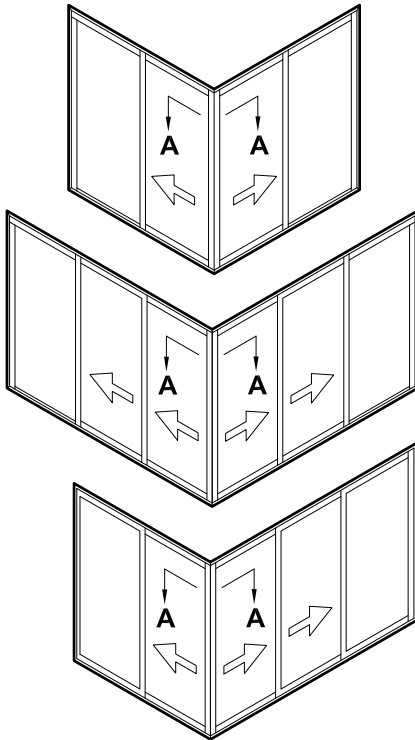






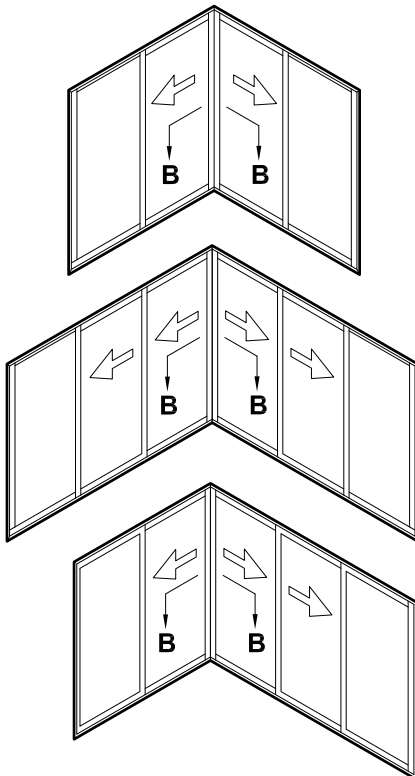
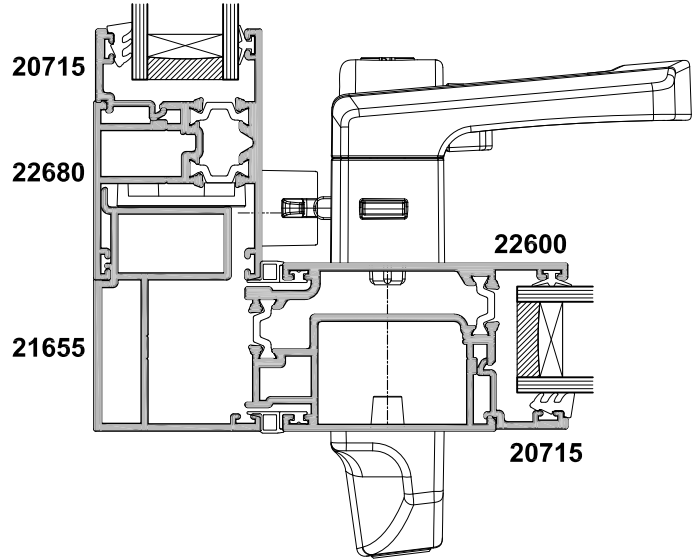






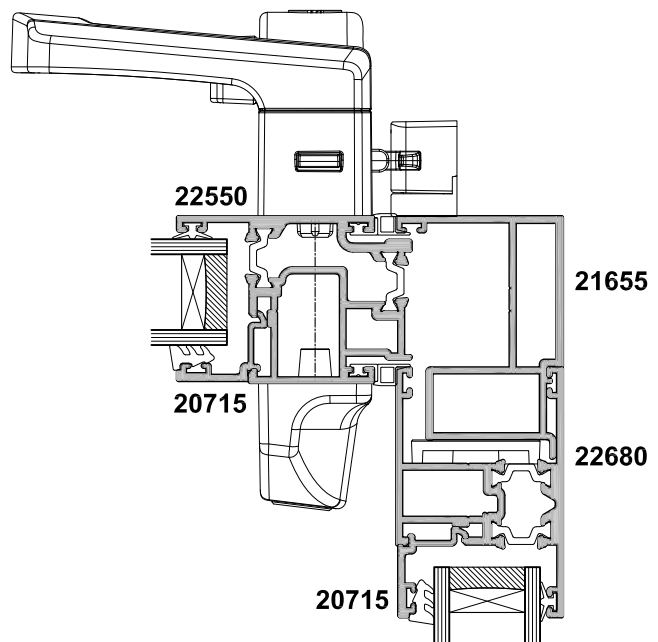
SECTION A-A

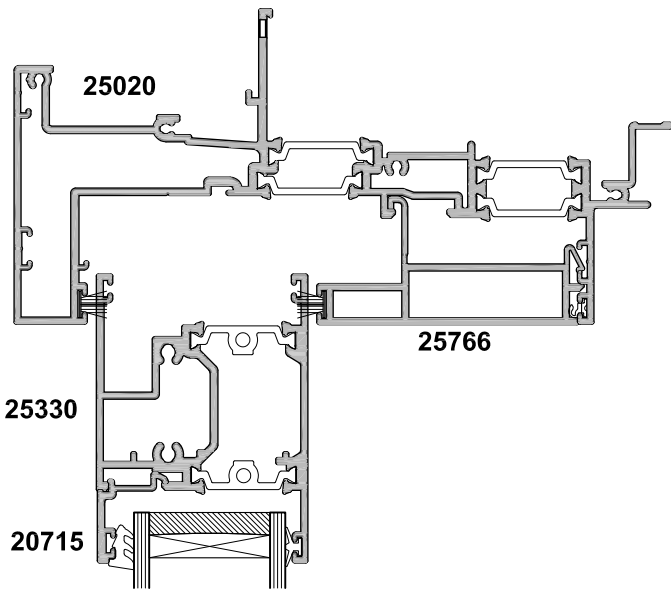
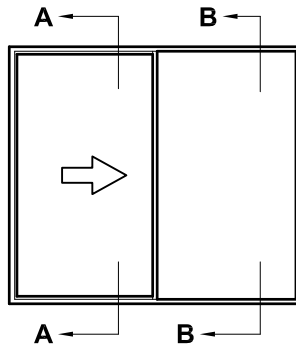
EXTERNAL CORNER



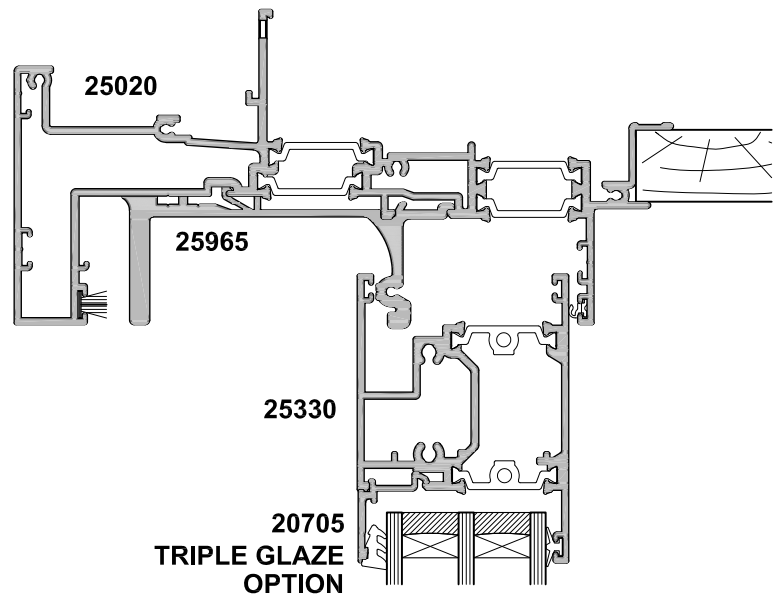
SECTION B-B

INTERNAL CORNER

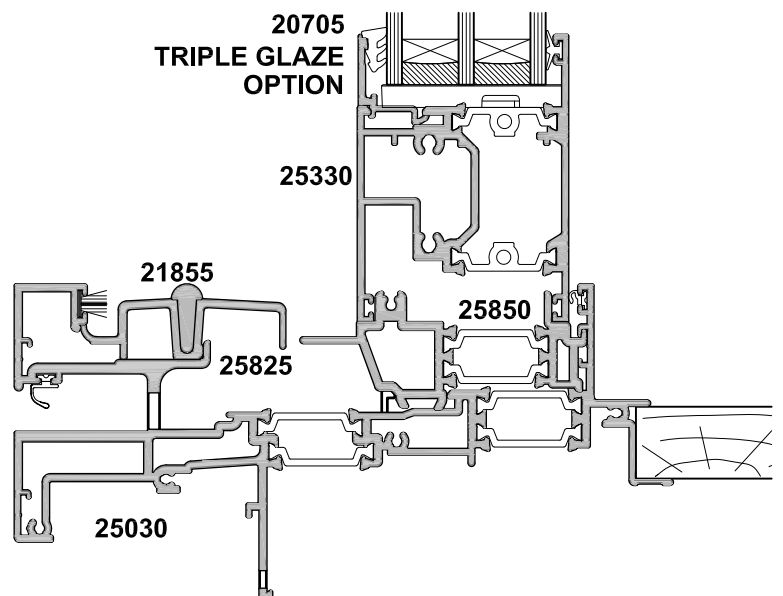
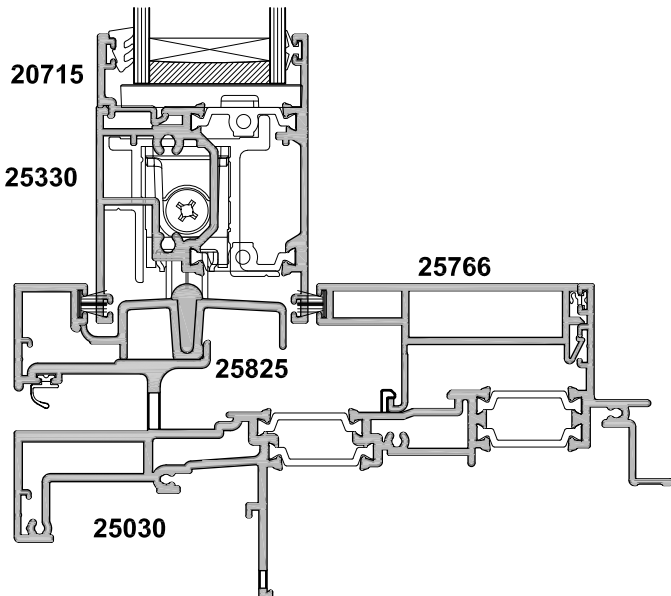


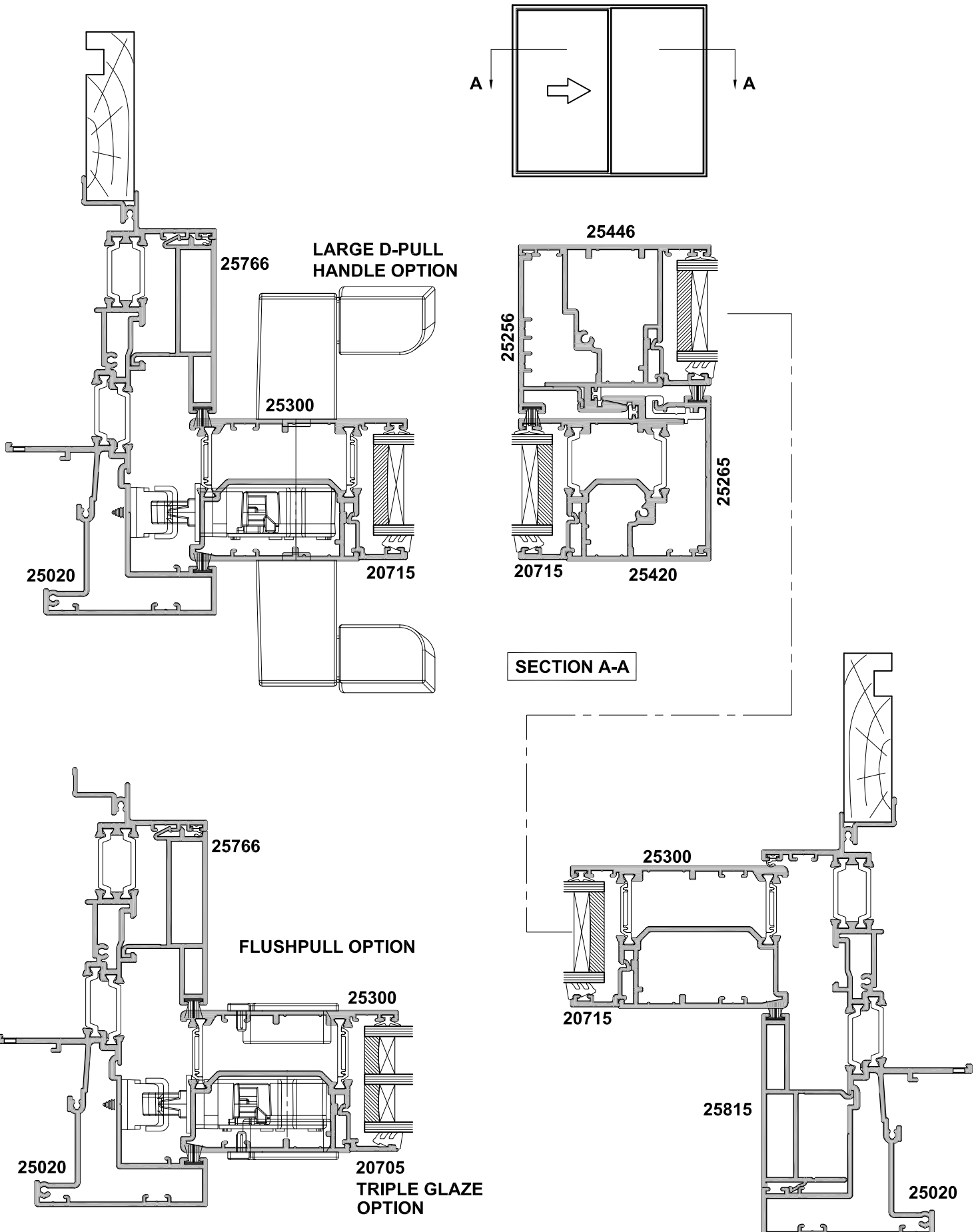


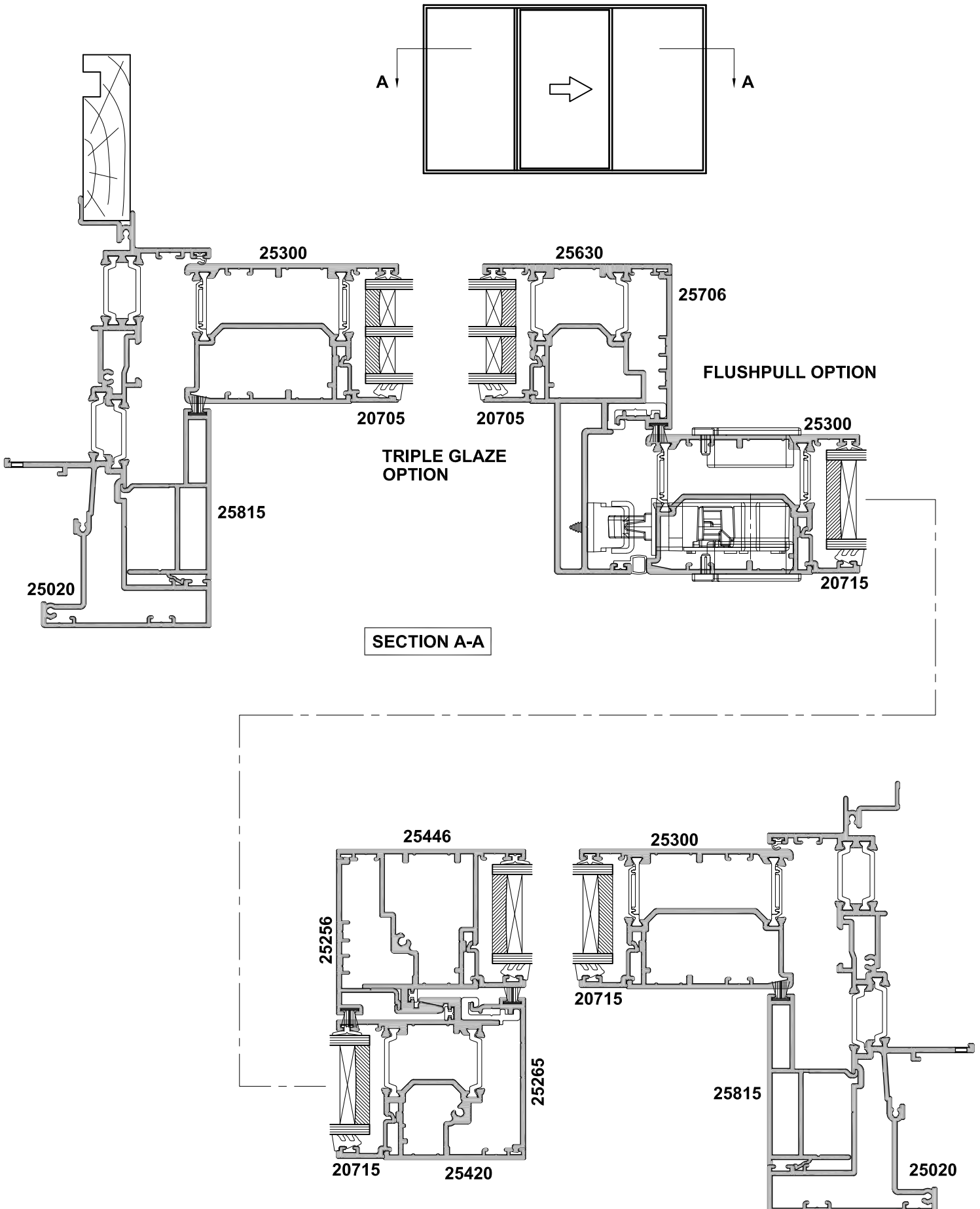
SECTION A-A

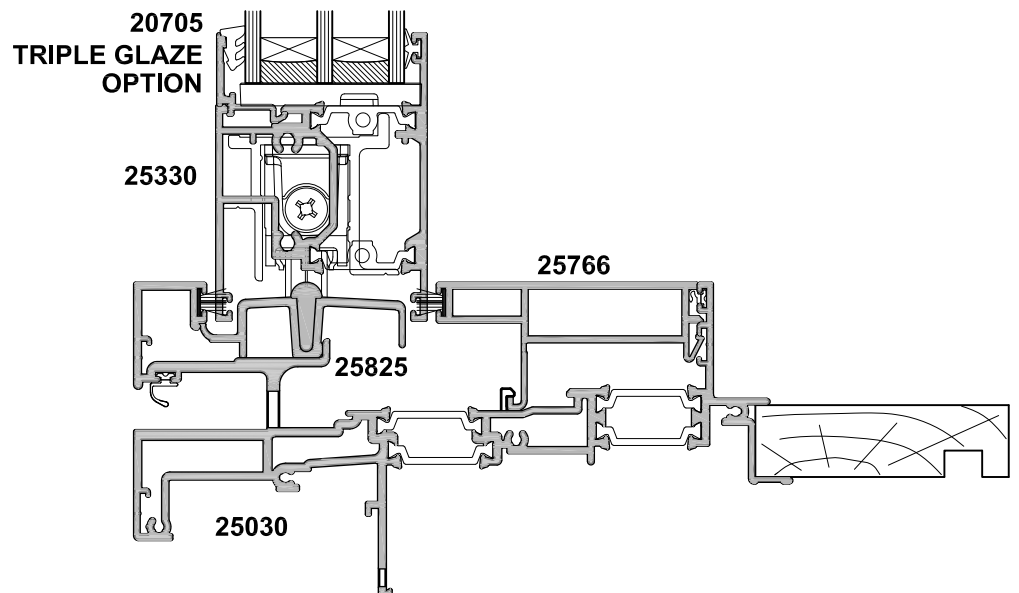
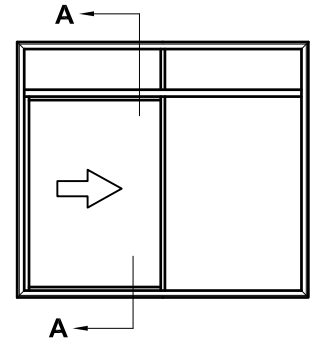
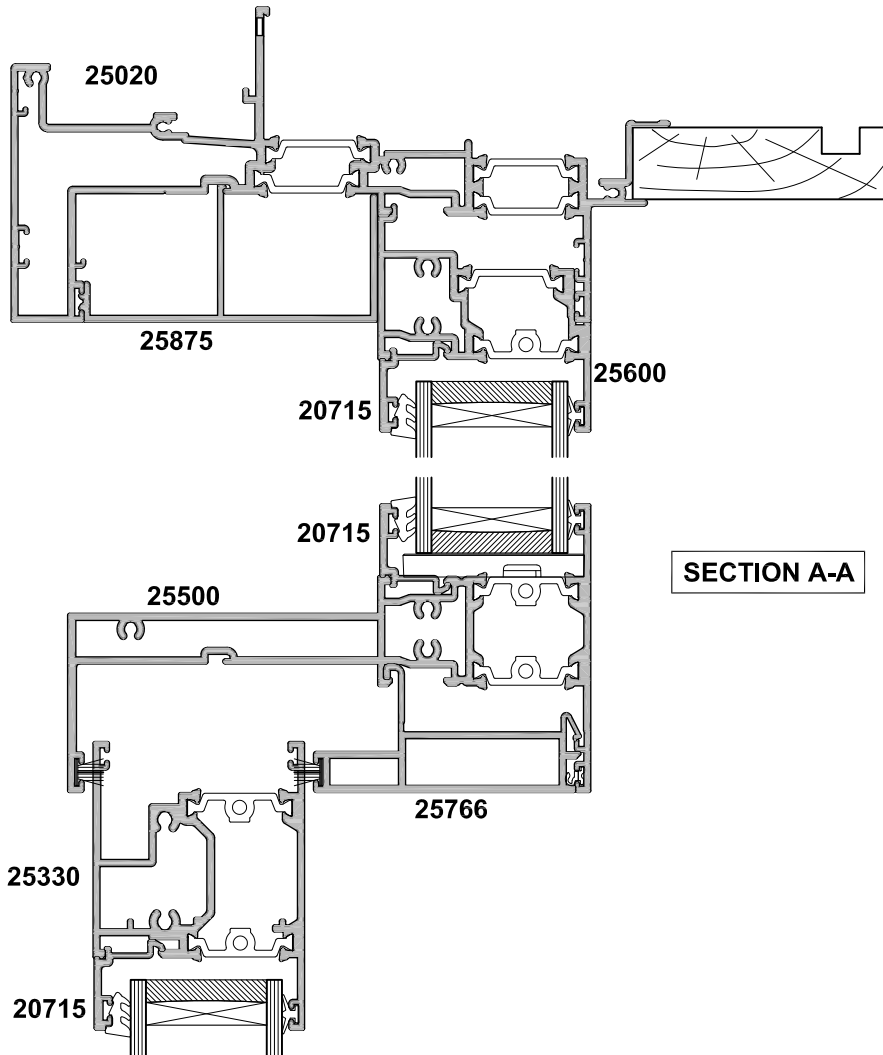


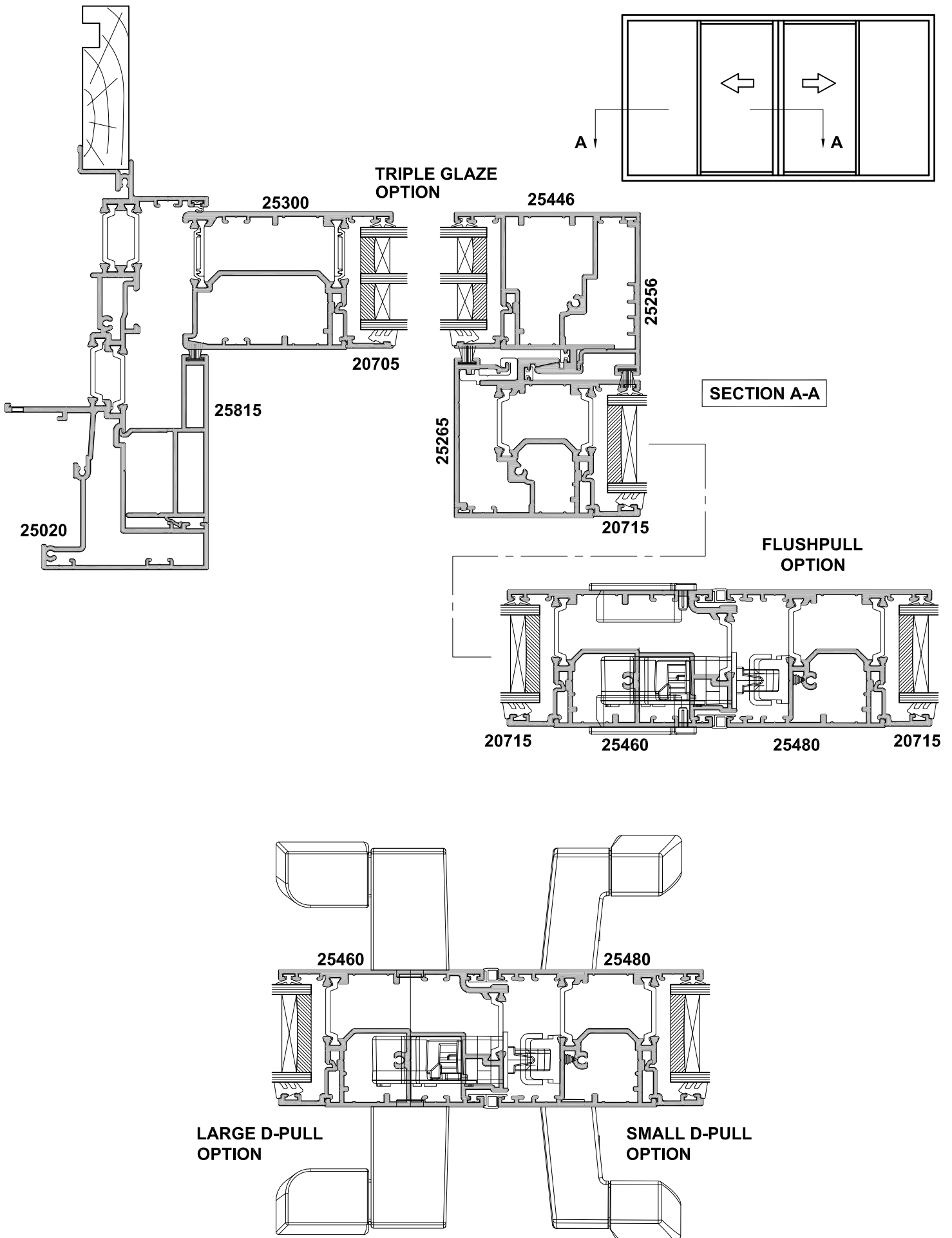
SECTION B-B

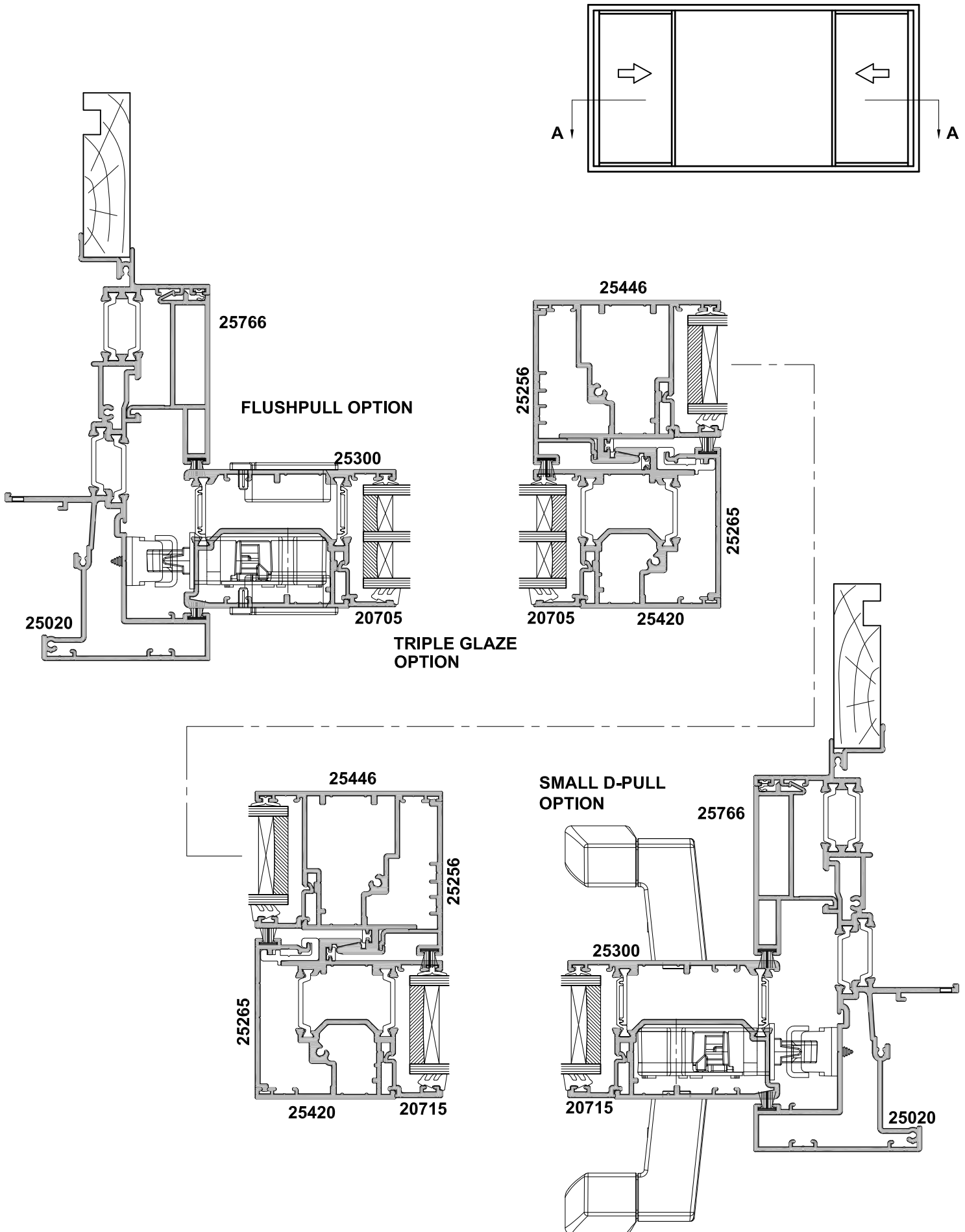


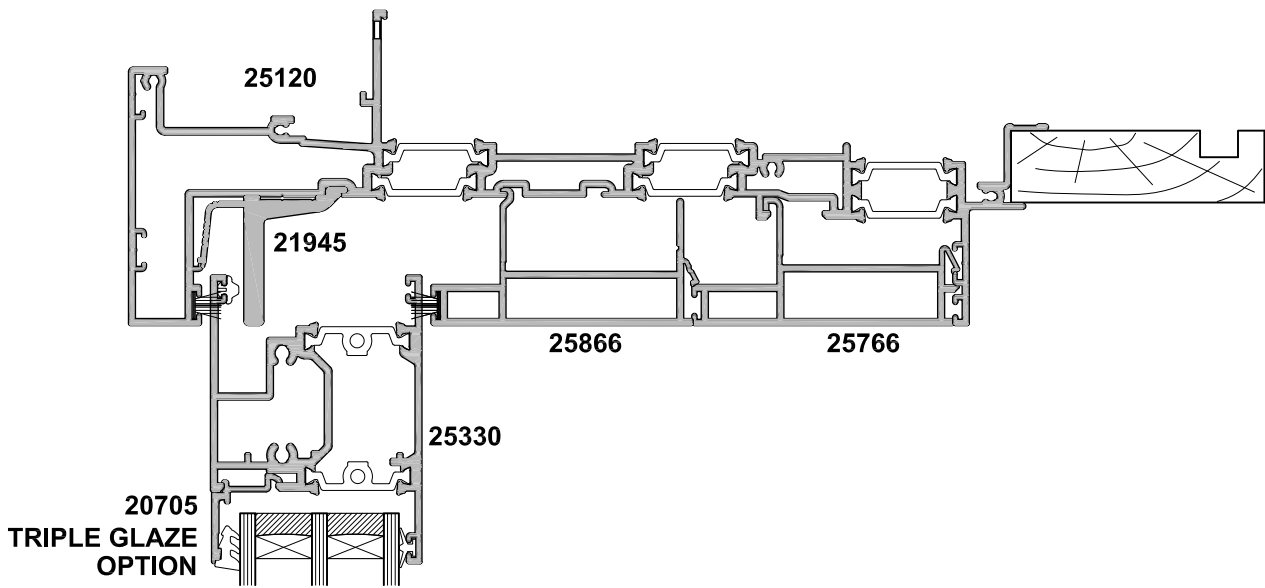
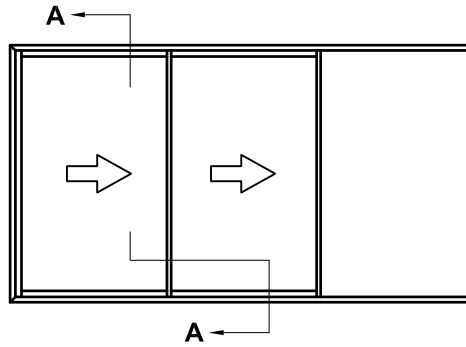




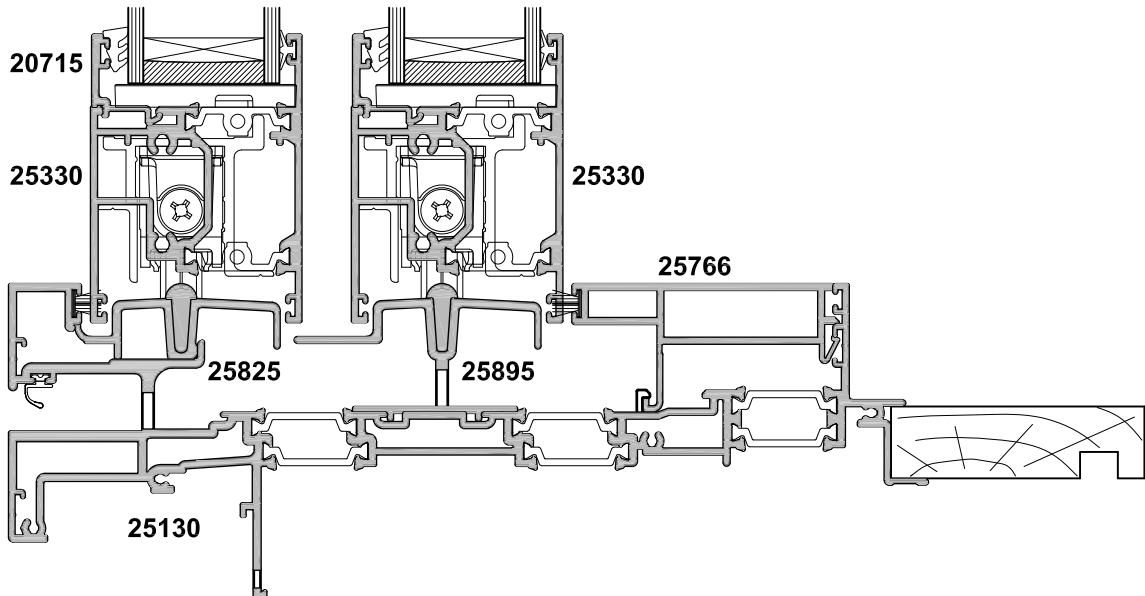


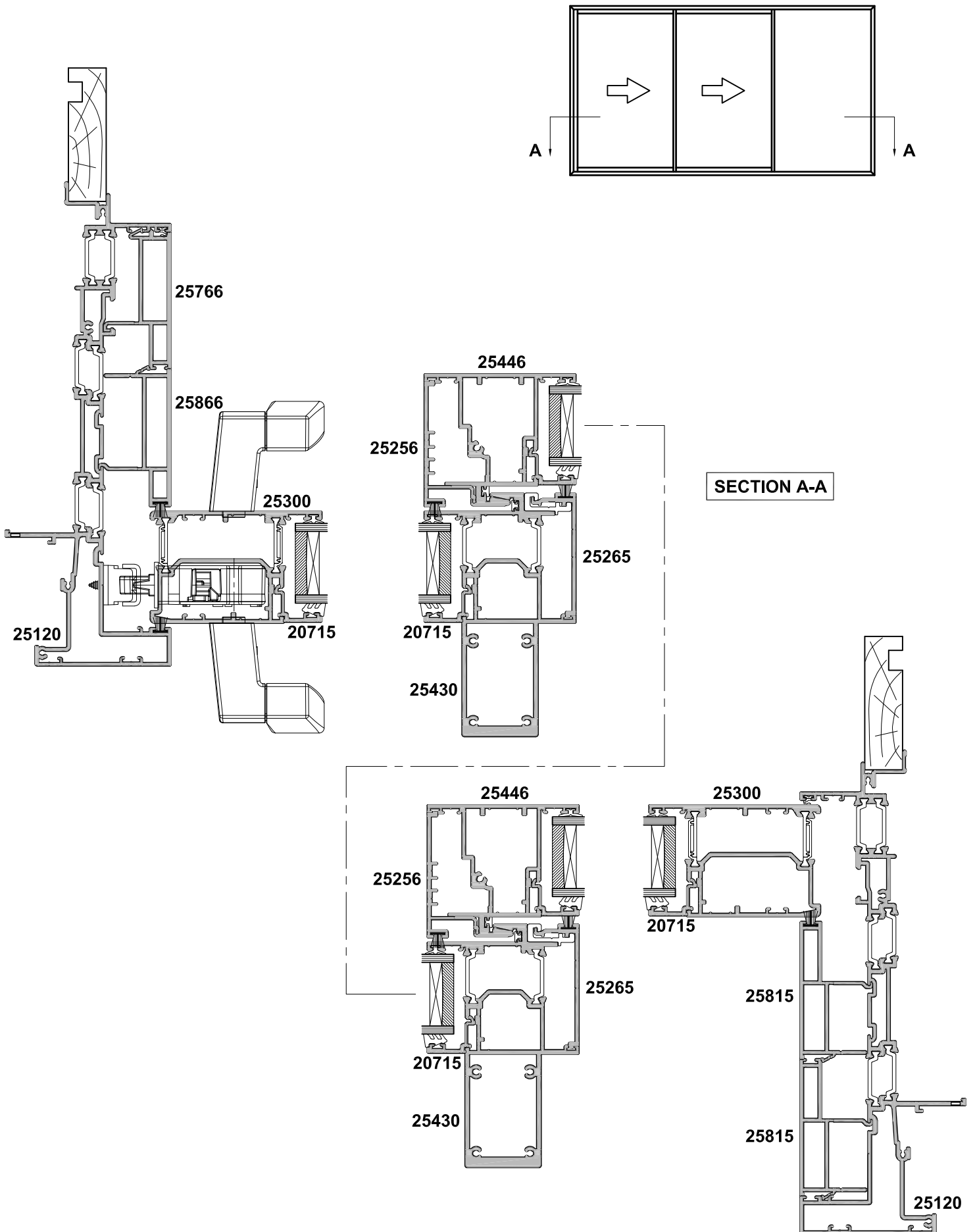


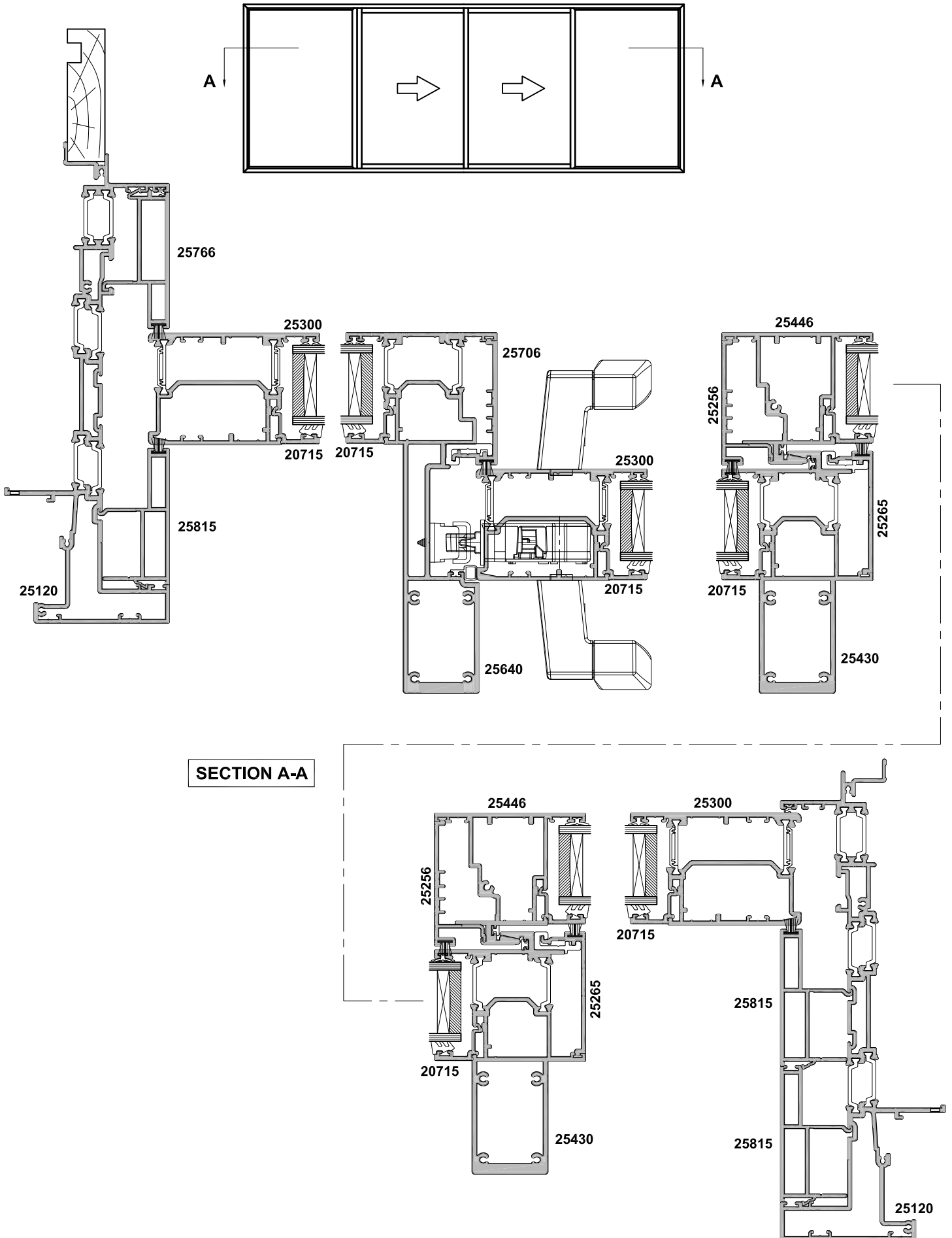


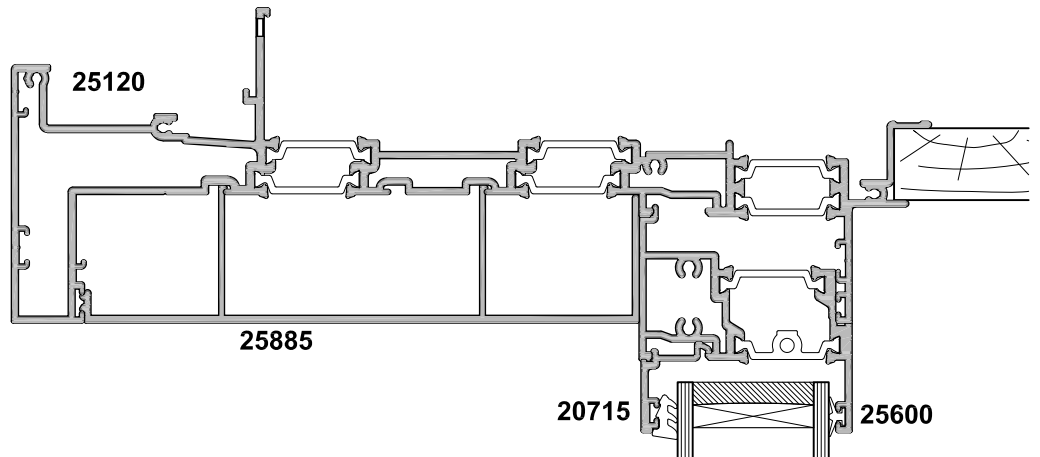
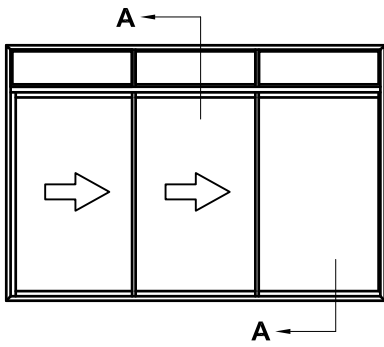


SECTION A-A

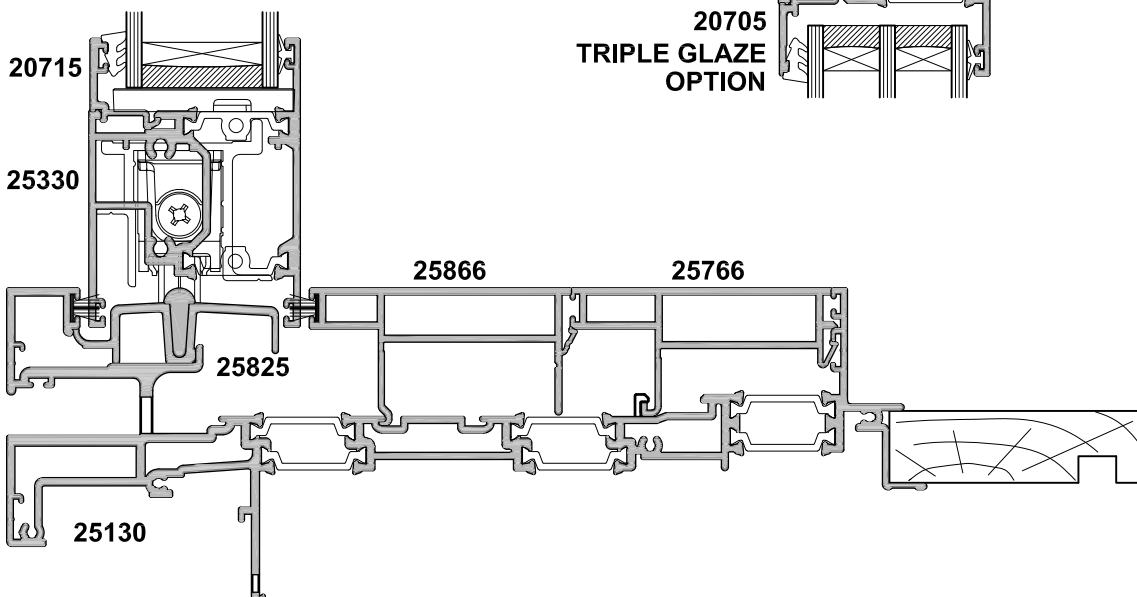
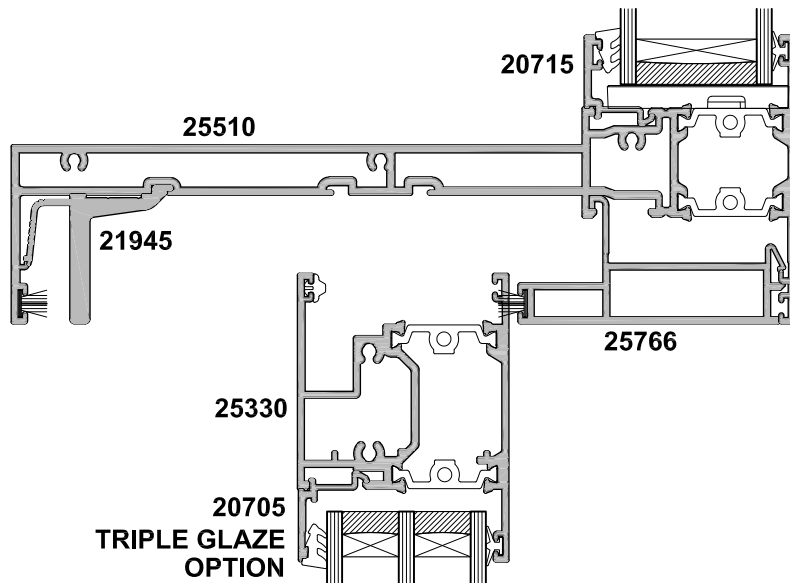


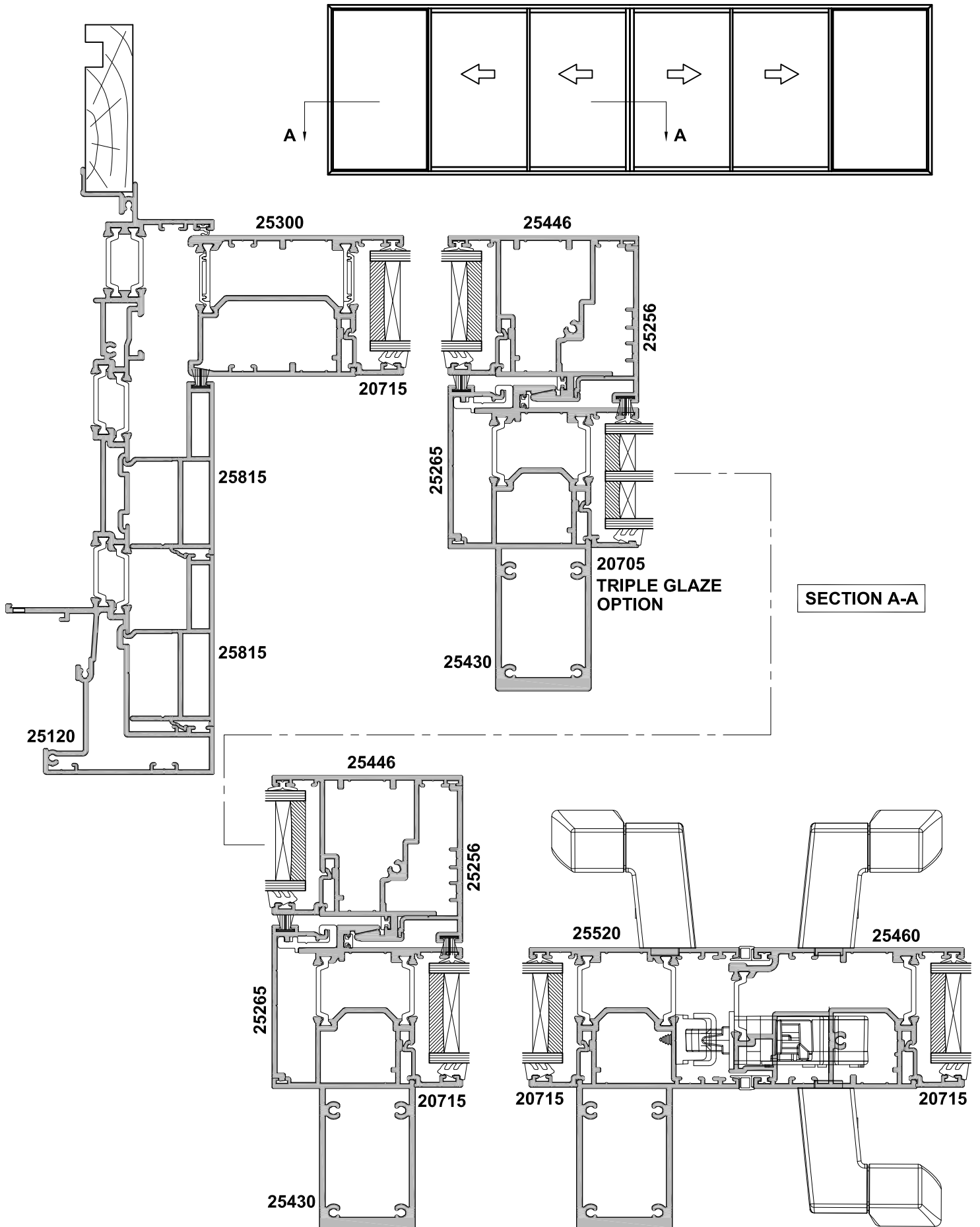


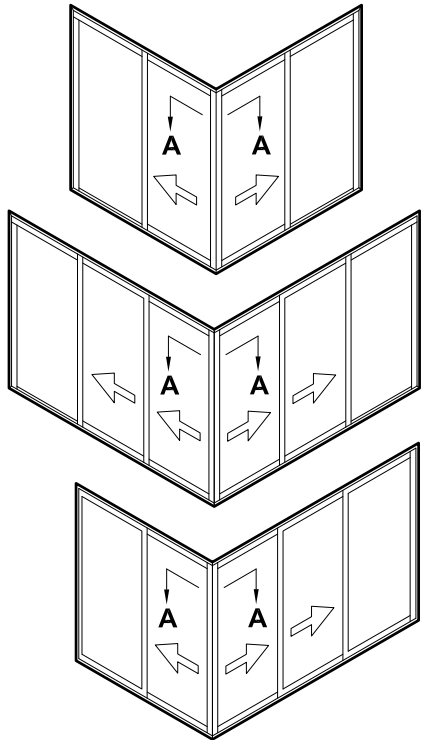




SECTION A-A

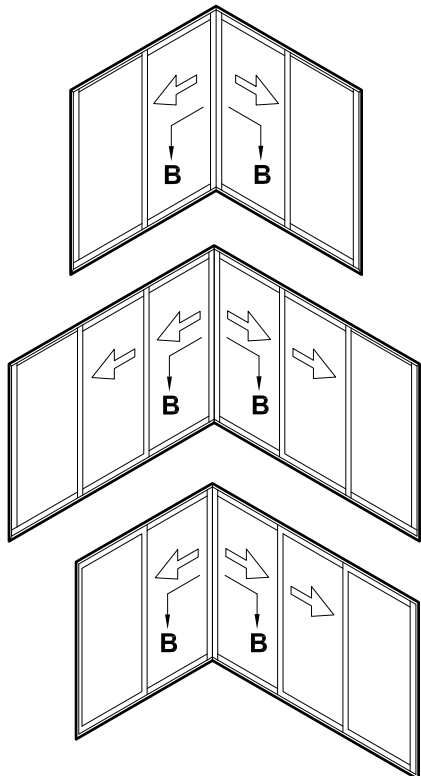
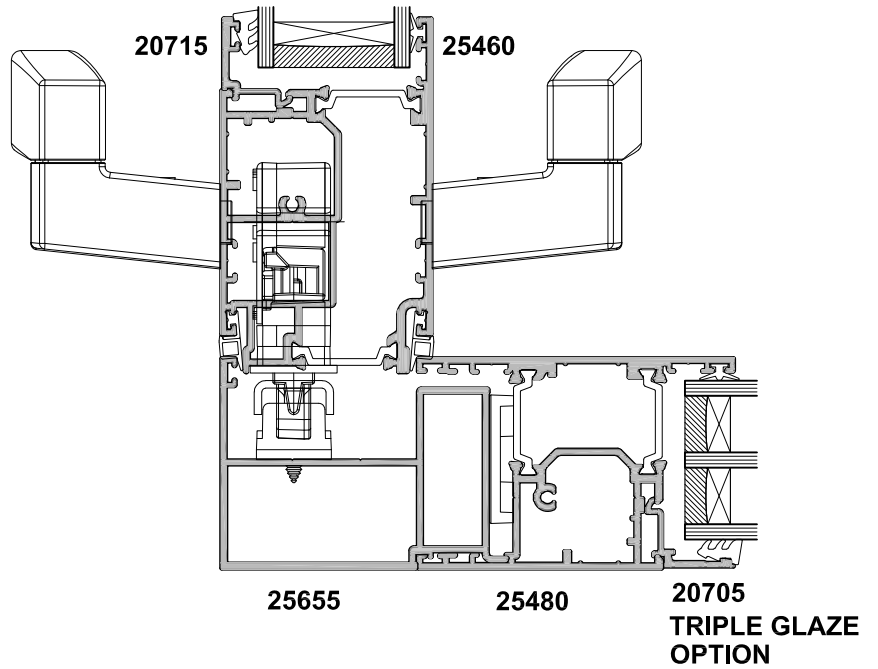






SECTION A-A

EXTERNAL CORNER



SECTION B-B

INTERNAL CORNER

