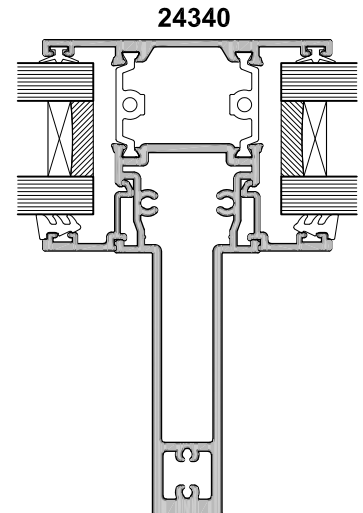
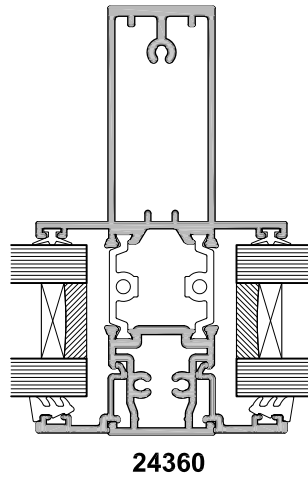
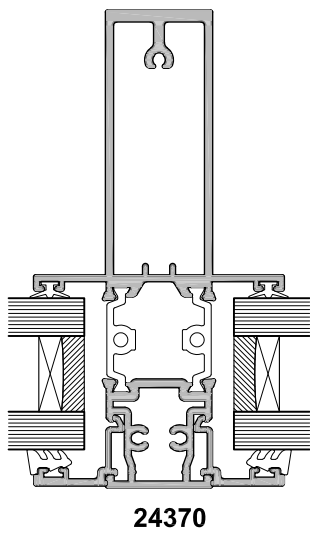
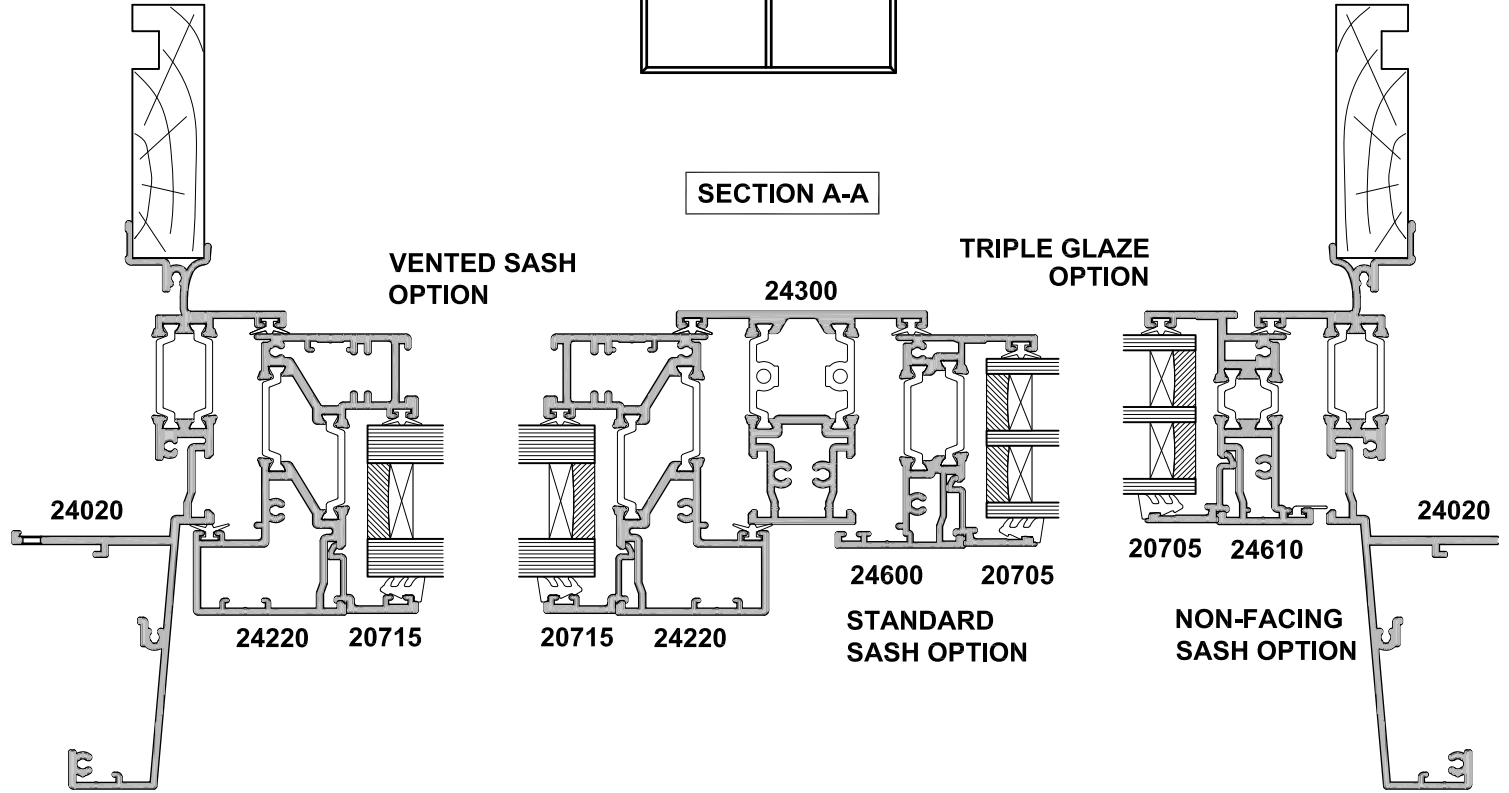


SECTION A-A



**MULLION / TRANSOM OPTIONS**  
Refer to tables for span requirements