



**INSTALLATION DETAIL - 56mm METRO THERMAL HEART
AWNING WINDOW ON FLAT SHEET
CAVITY CONSTRUCTION**

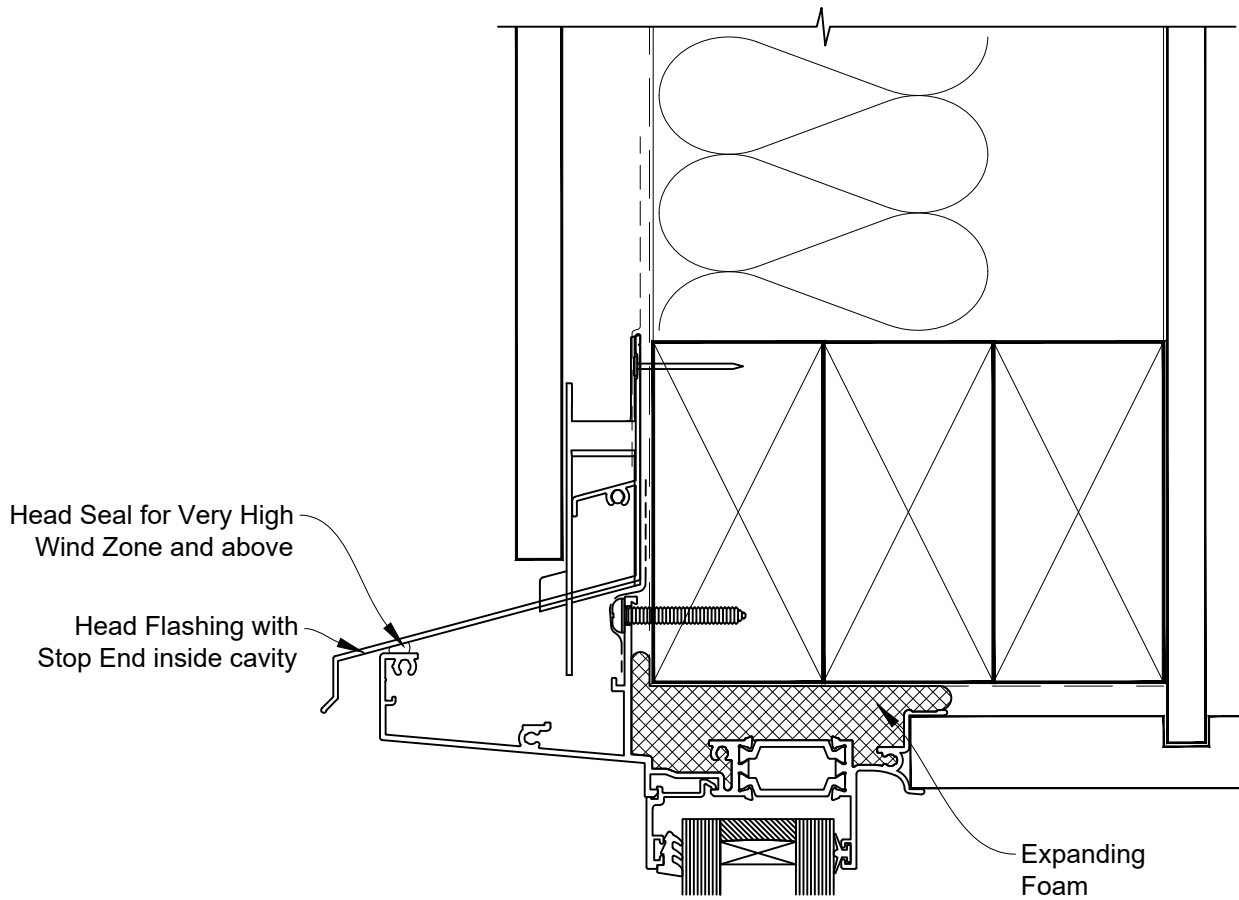
Date: 01.09.23

Scale: 1:2

CAD Ref.: CFX56AWFS-CFXH

**The Installation Details must be used in conjunction with the Metro Series
ThermalHEART® Centrafix™ SYSTEM GUIDE**

HEAD OPTION 1





INSTALLATION DETAIL - 56mm METRO THERMAL HEART AWNING WINDOW ON FLAT SHEET CAVITY CONSTRUCTION

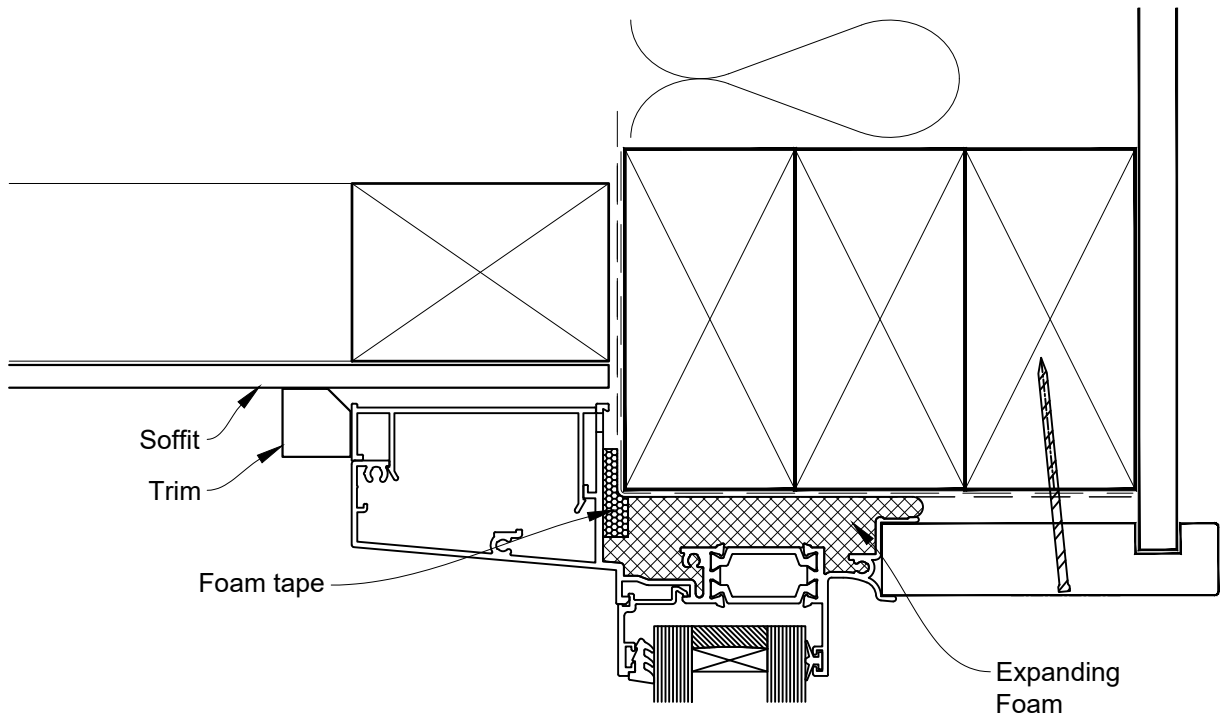
Date: 01.09.23

Scale: 1:2

CAD Ref.: CFX56AWFS-CFXH2

The Installation Details must be used in conjunction with the Metro Series
ThermalHEART® Centrafix™ SYSTEM GUIDE

HEAD OPTION 2





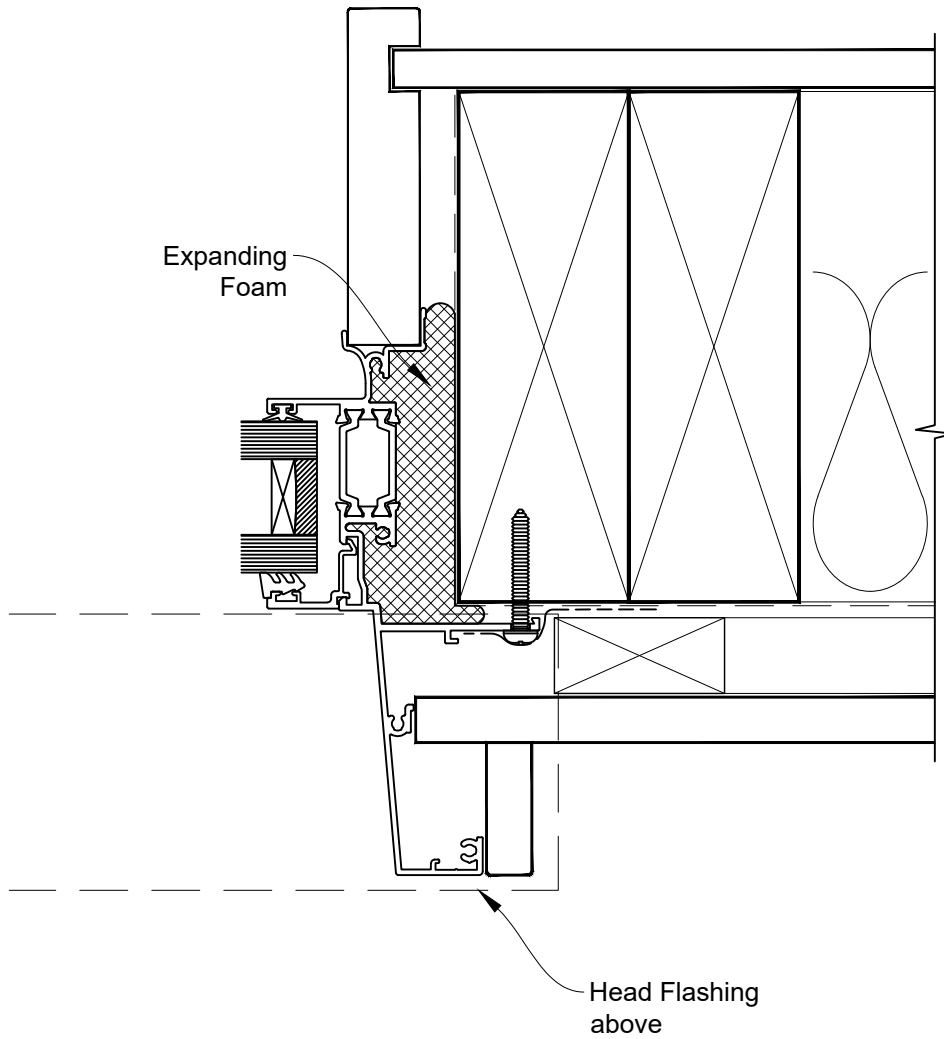
INSTALLATION DETAIL - 56mm METRO THERMAL HEART AWNING WINDOW ON FLAT SHEET CAVITY CONSTRUCTION

Date: 01.09.23

Scale: 1:2

CAD Ref.: CFX56AWFS-CFXJ

The Installation Details must be used in conjunction with the Metro Series
ThermalHEART® Centrafix™ SYSTEM GUIDE





INSTALLATION DETAIL - 56mm METRO THERMAL HEART AWNING WINDOW ON FLAT SHEET CAVITY CONSTRUCTION

Date: 01.09.23

Scale: 1:2

CAD Ref.: CFX56AWFS-CFXS

The Installation Details must be used in conjunction with the Metro Series
ThermalHEART® Centrafix™ SYSTEM GUIDE

