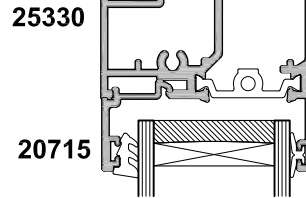
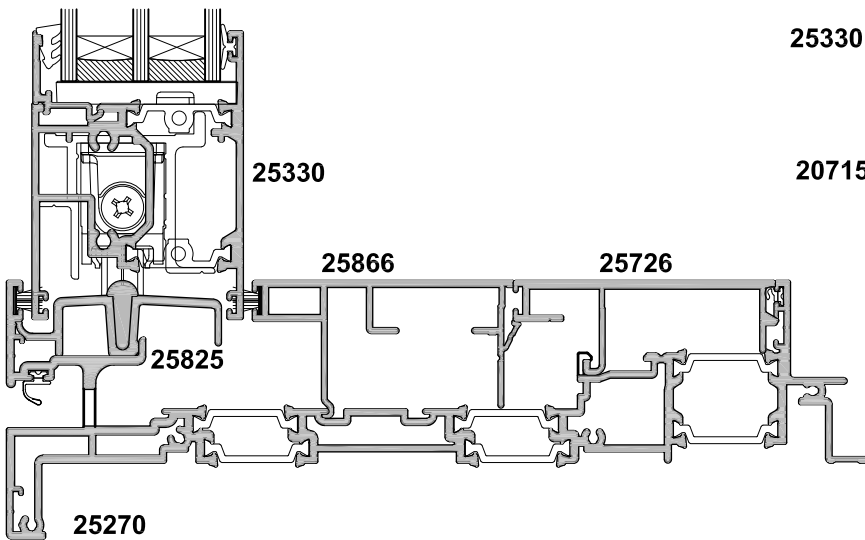
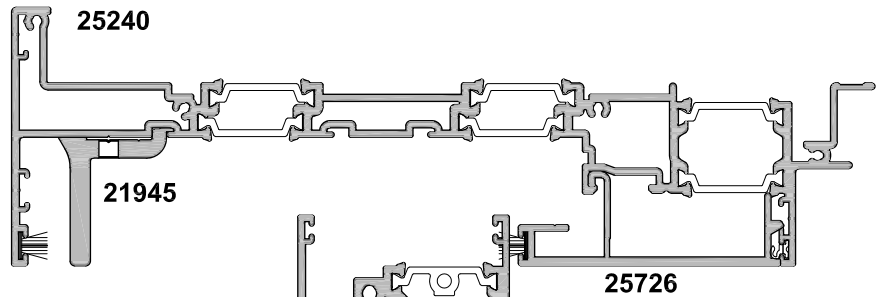


20705
TRIPLE GLAZE
OPTION

SECTION A-A



SECTION B-B

