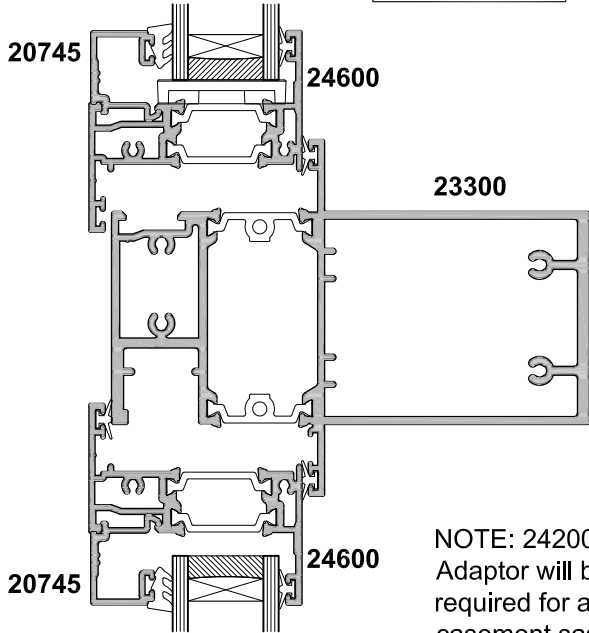
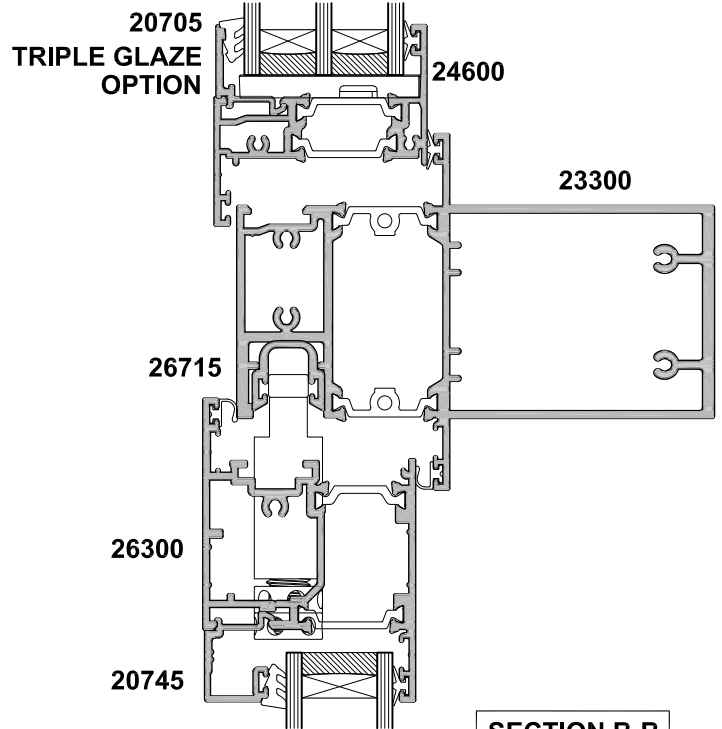
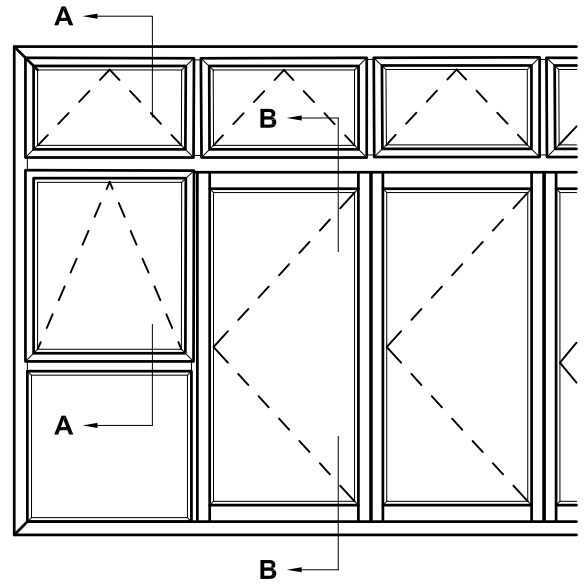
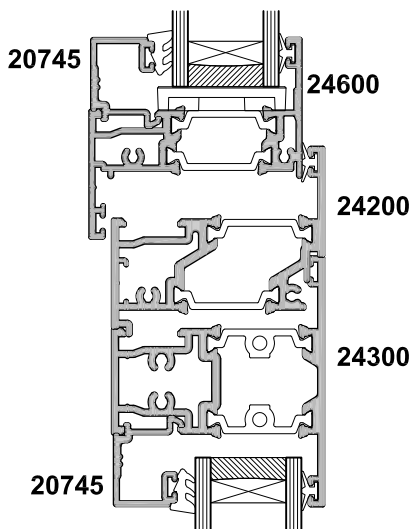


SECTION A-A



NOTE: 24200
Adaptor will be
required for a
casement sash



SECTION B-B

