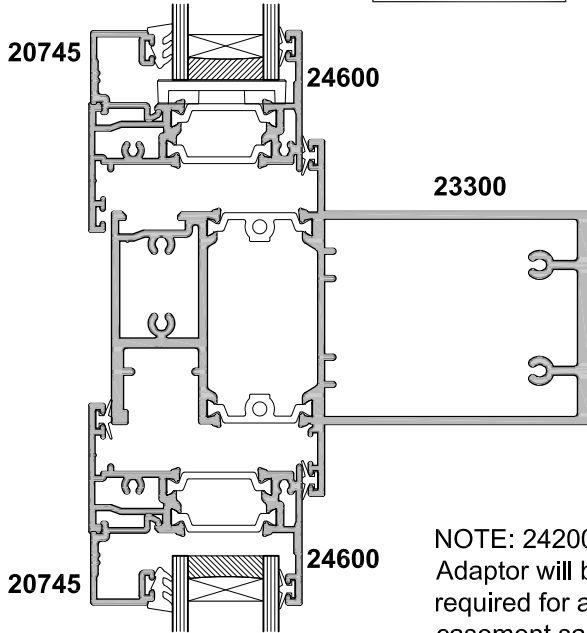
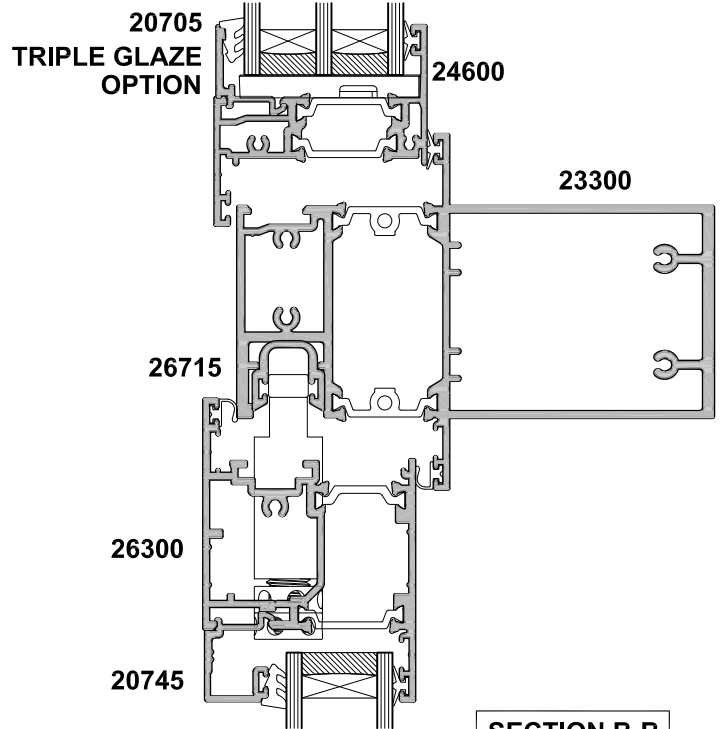
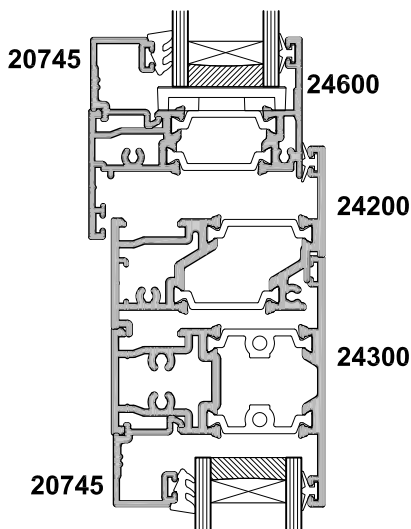


SECTION A-A

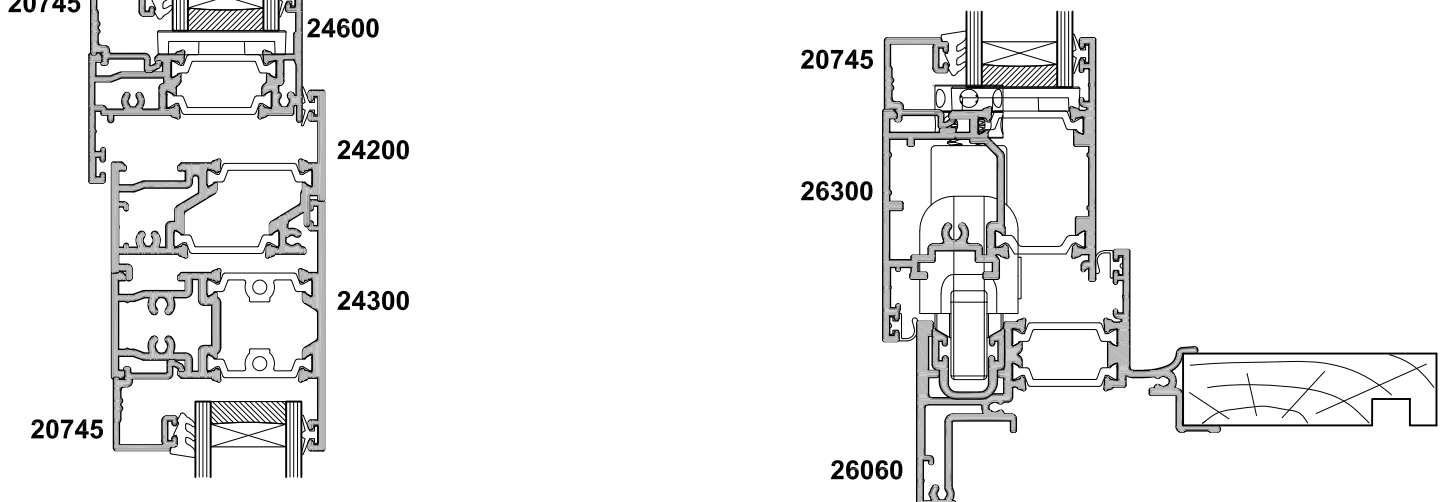


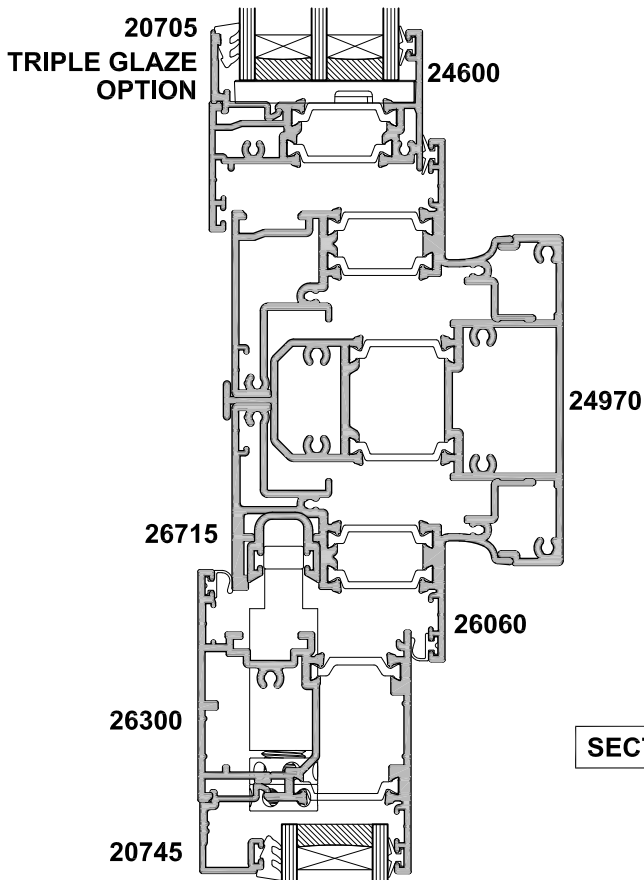
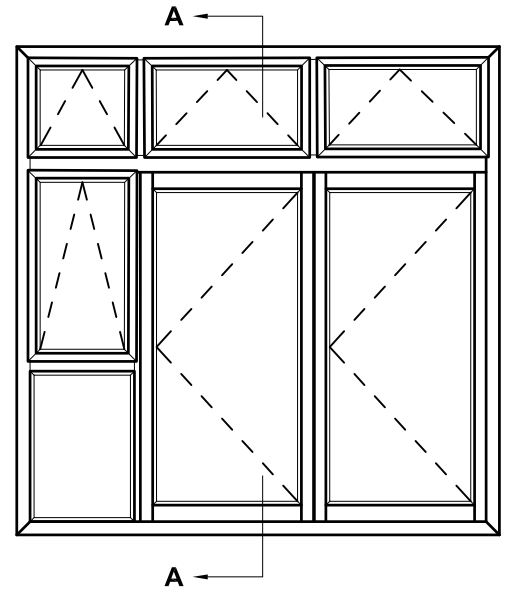
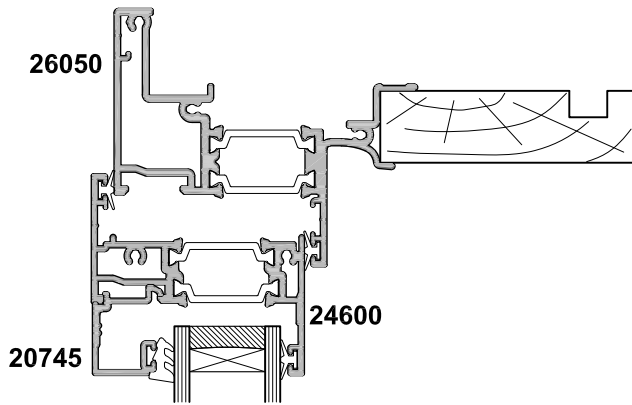
20745
24600

NOTE: 24200 Adaptor will be required for a casement sash

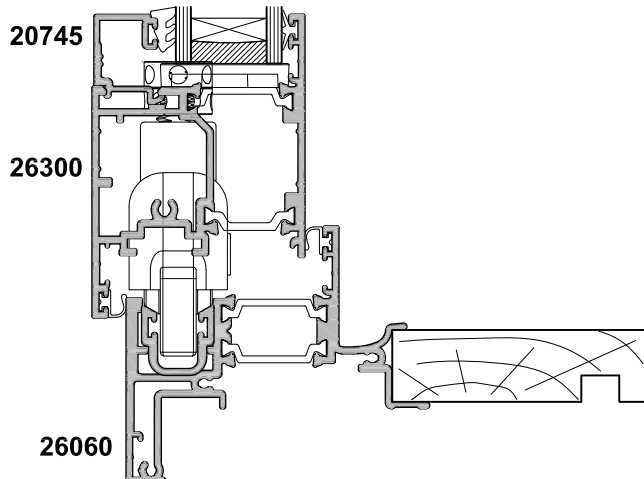


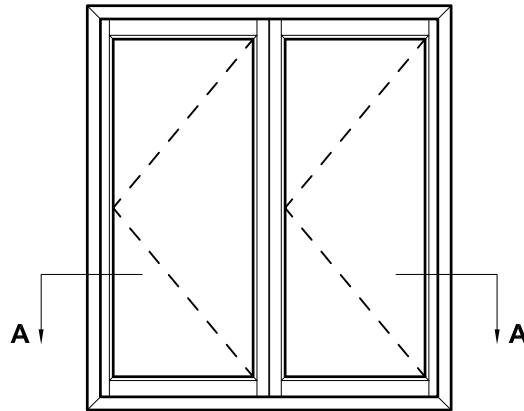
SECTION B-B



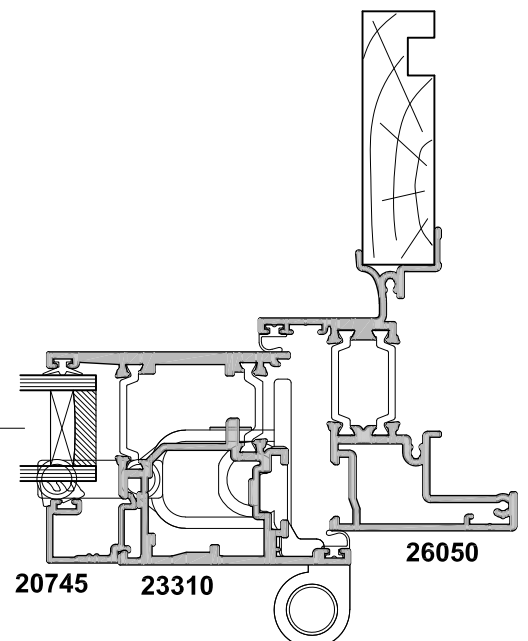
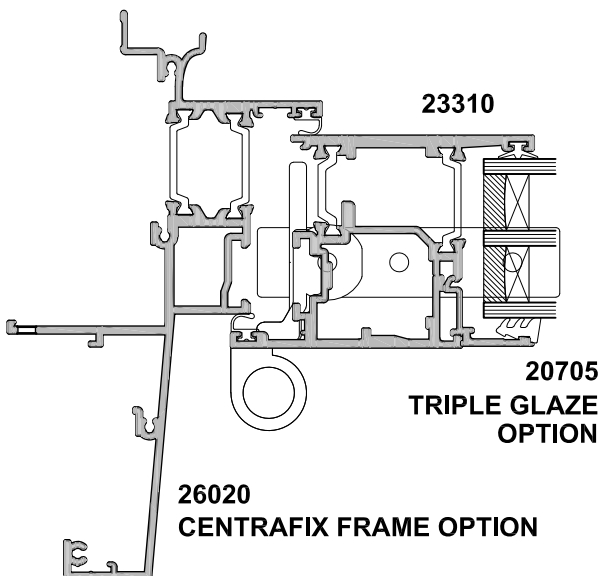
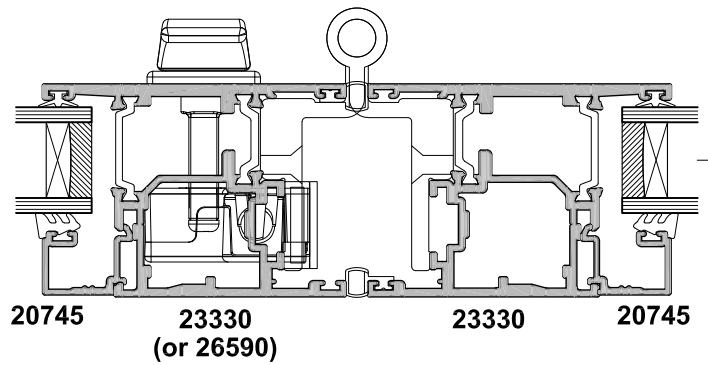
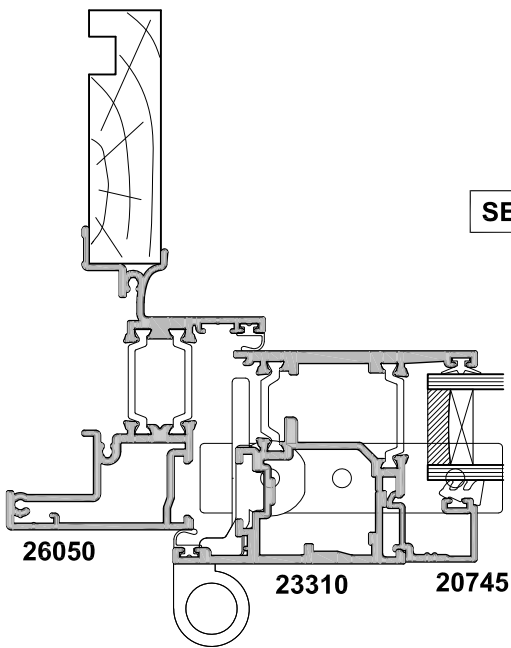


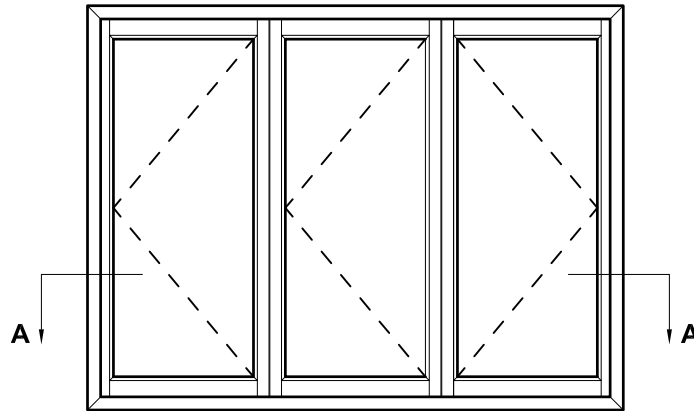
SECTION A-A



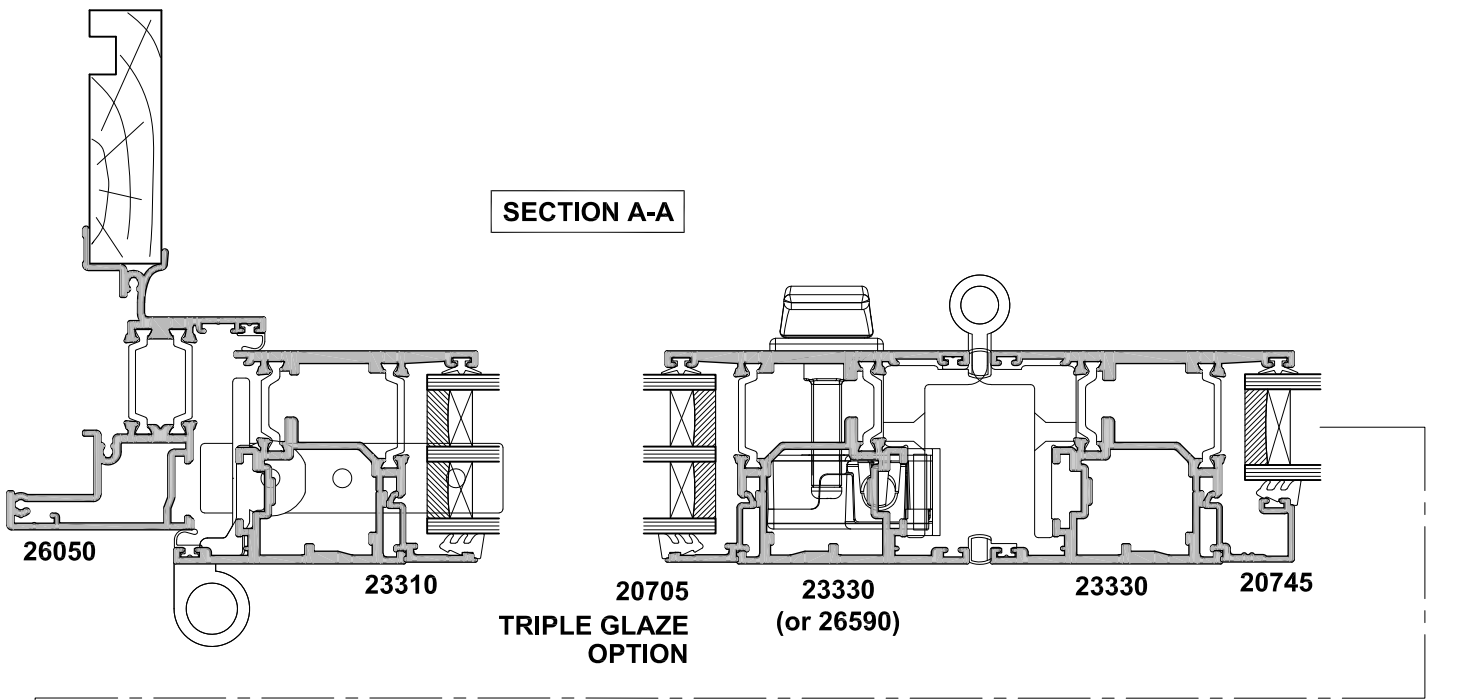


SECTION A-A

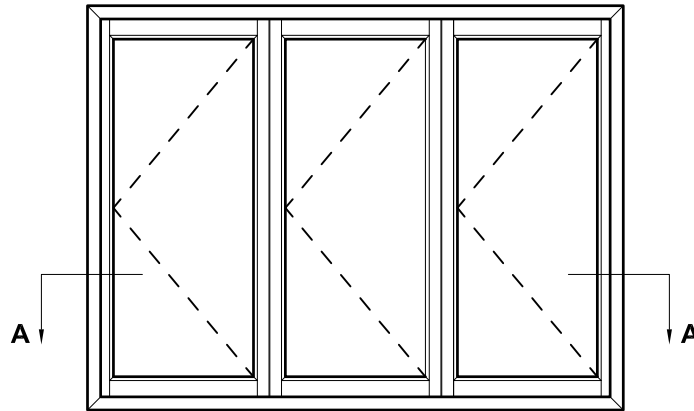




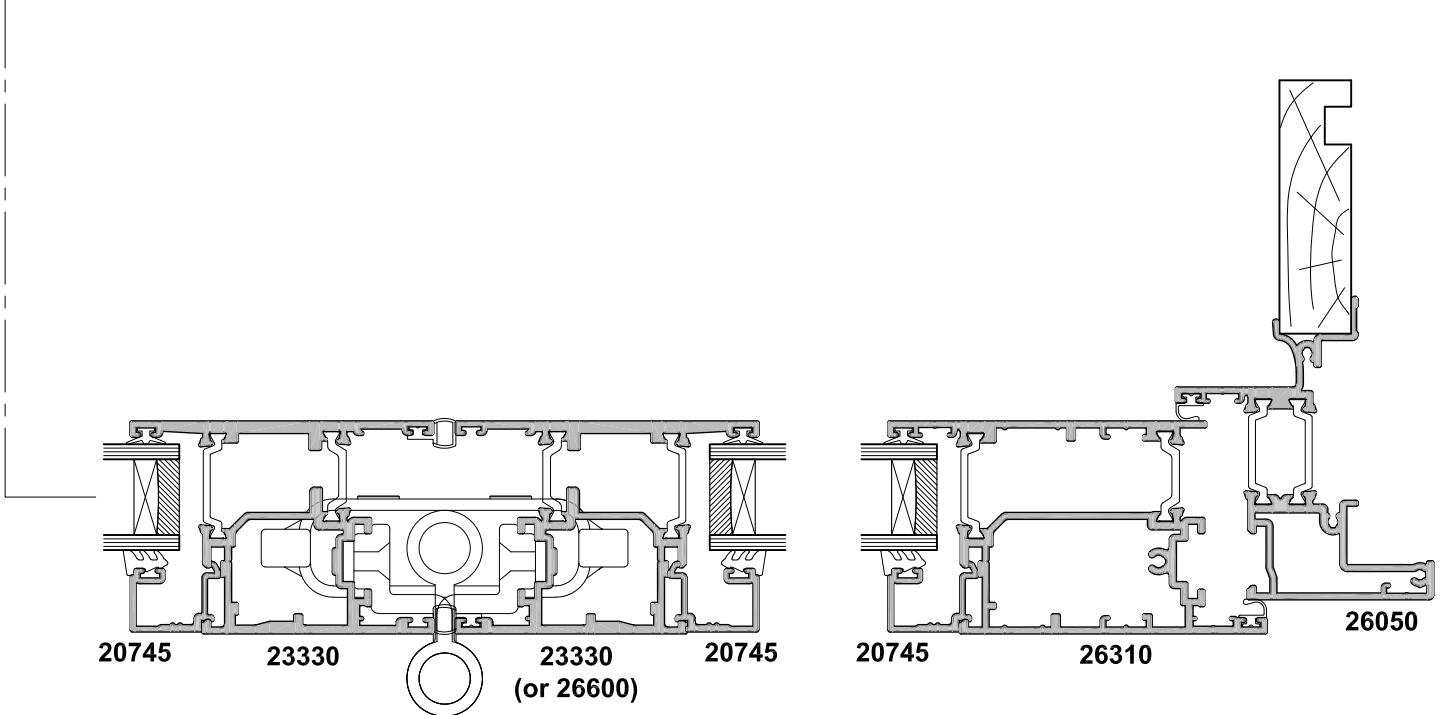
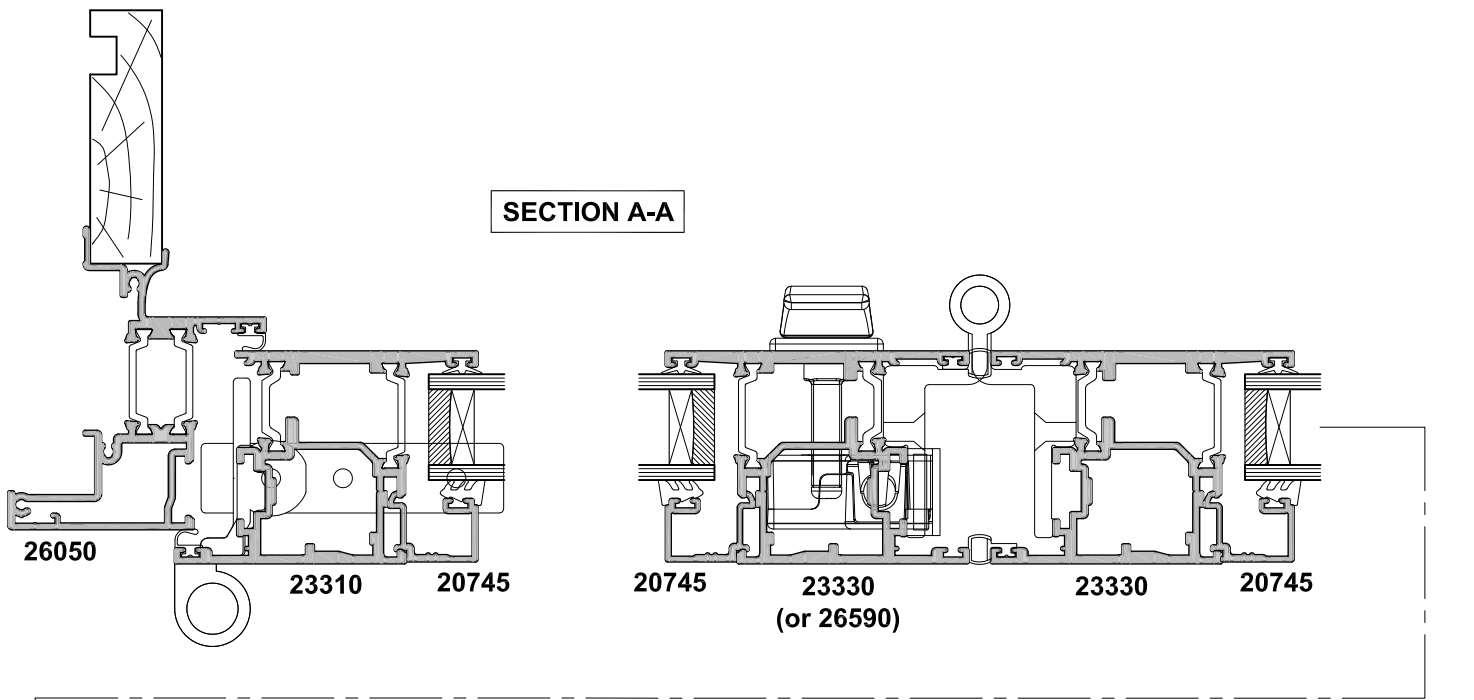
SECTION A-A

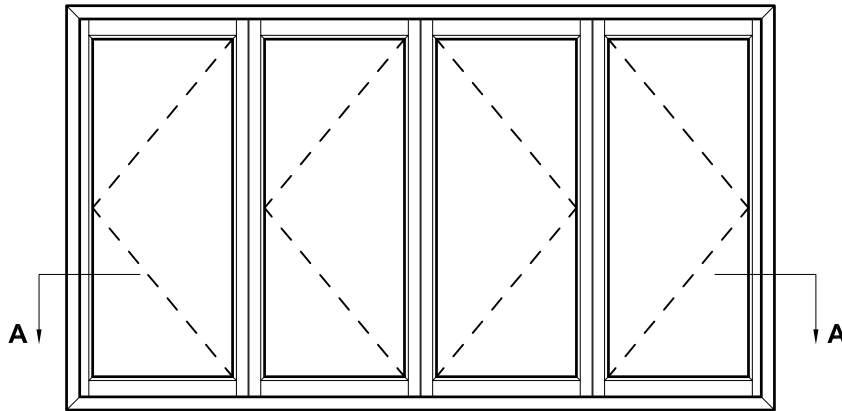


TRIPLE GLAZE
OPTION

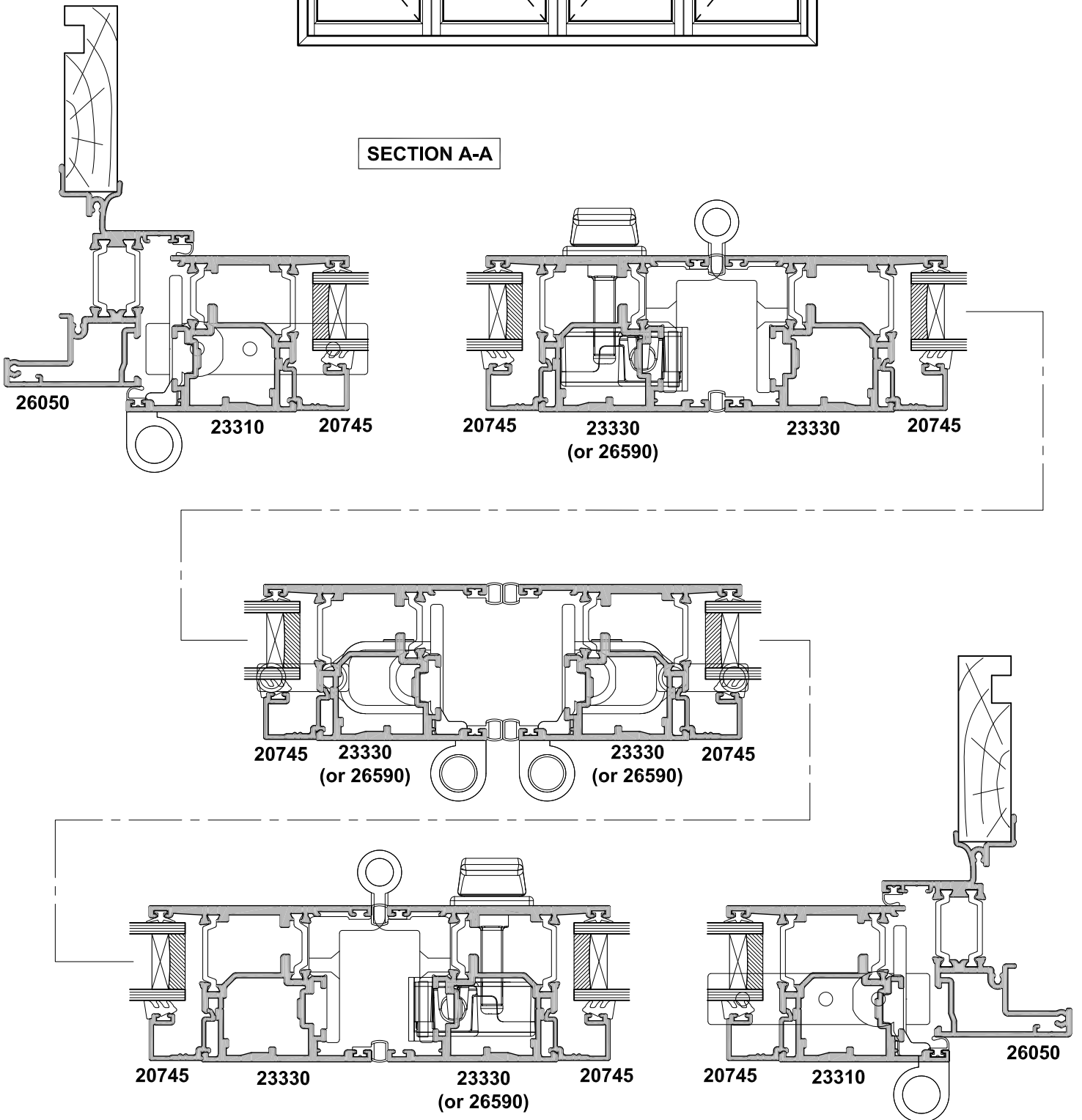


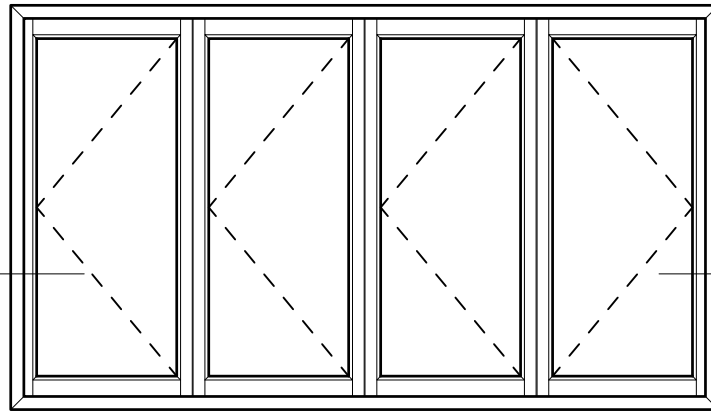
SECTION A-A



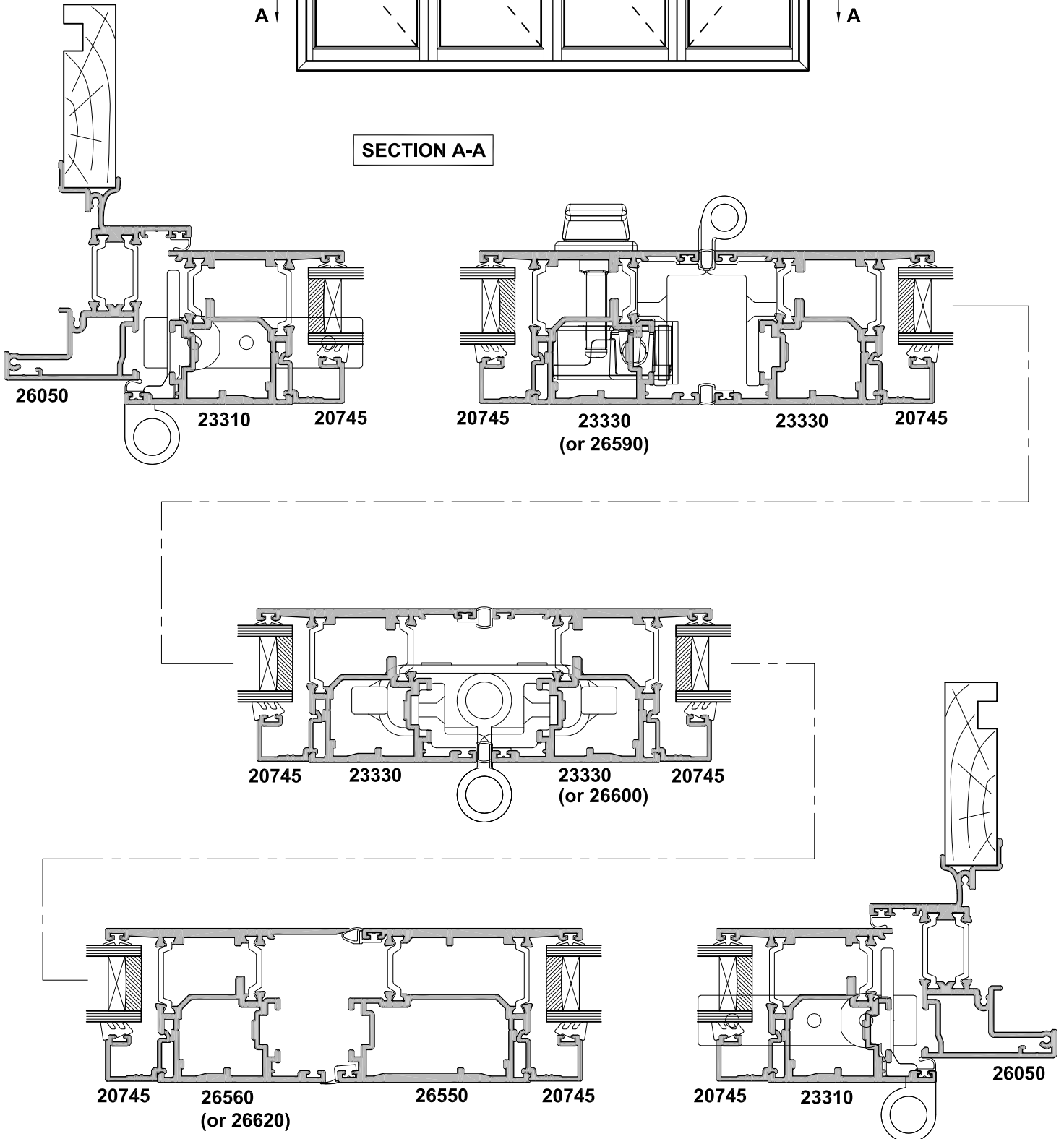


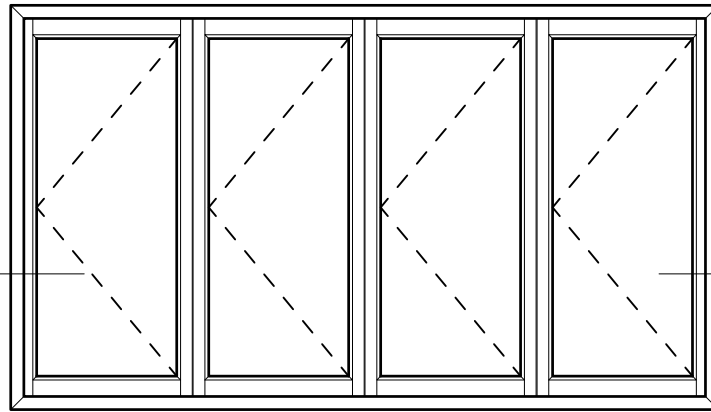
SECTION A-A



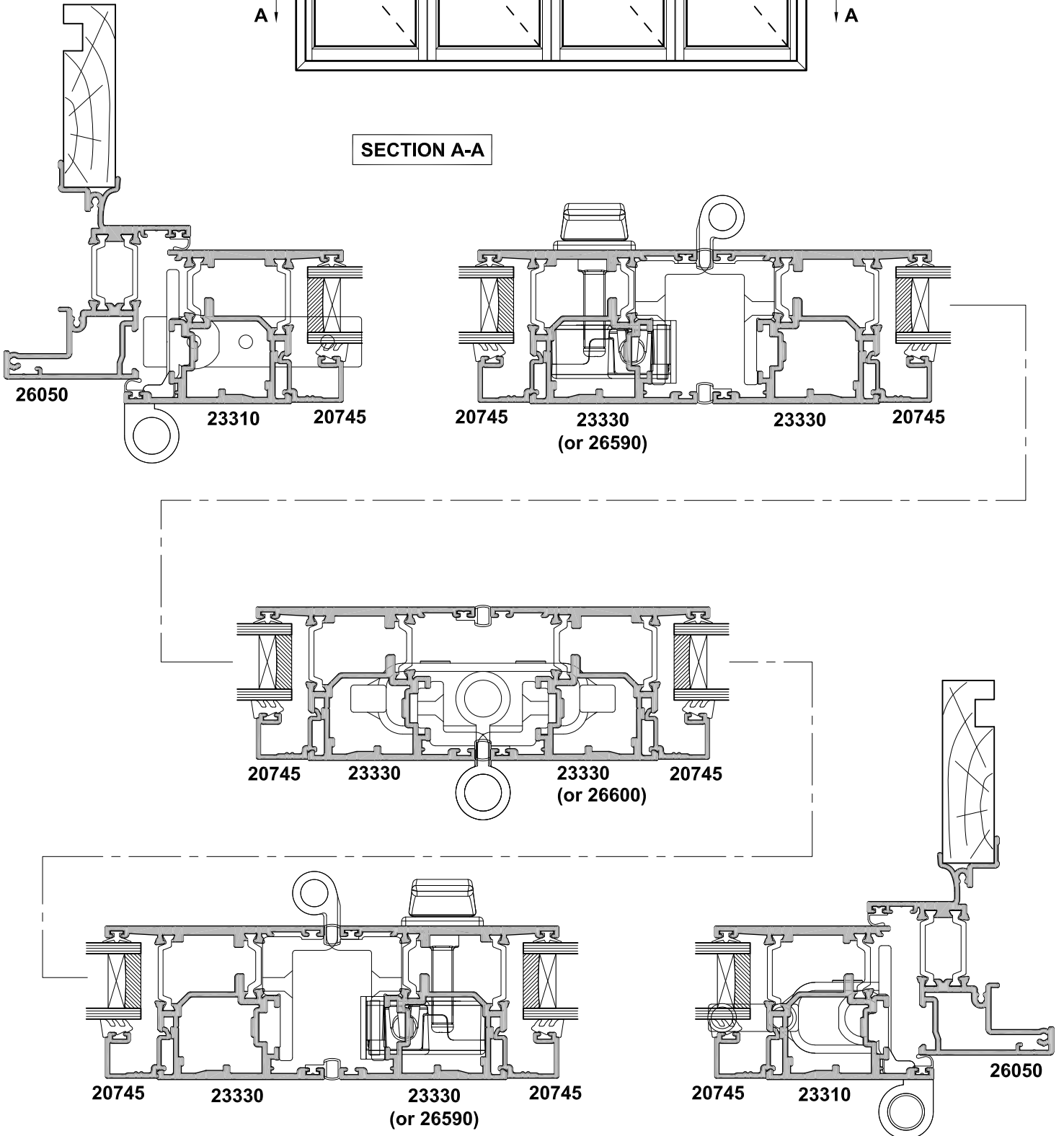


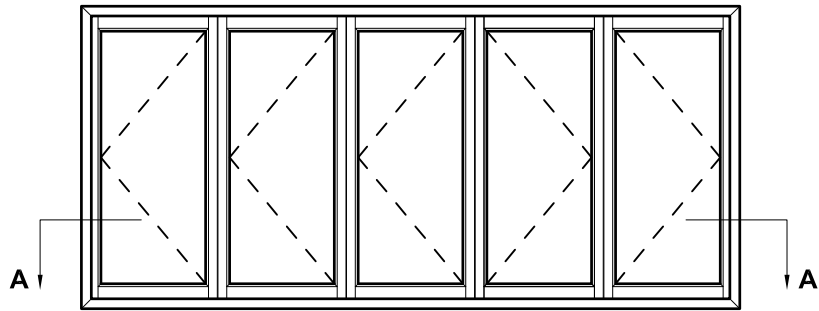
SECTION A-A



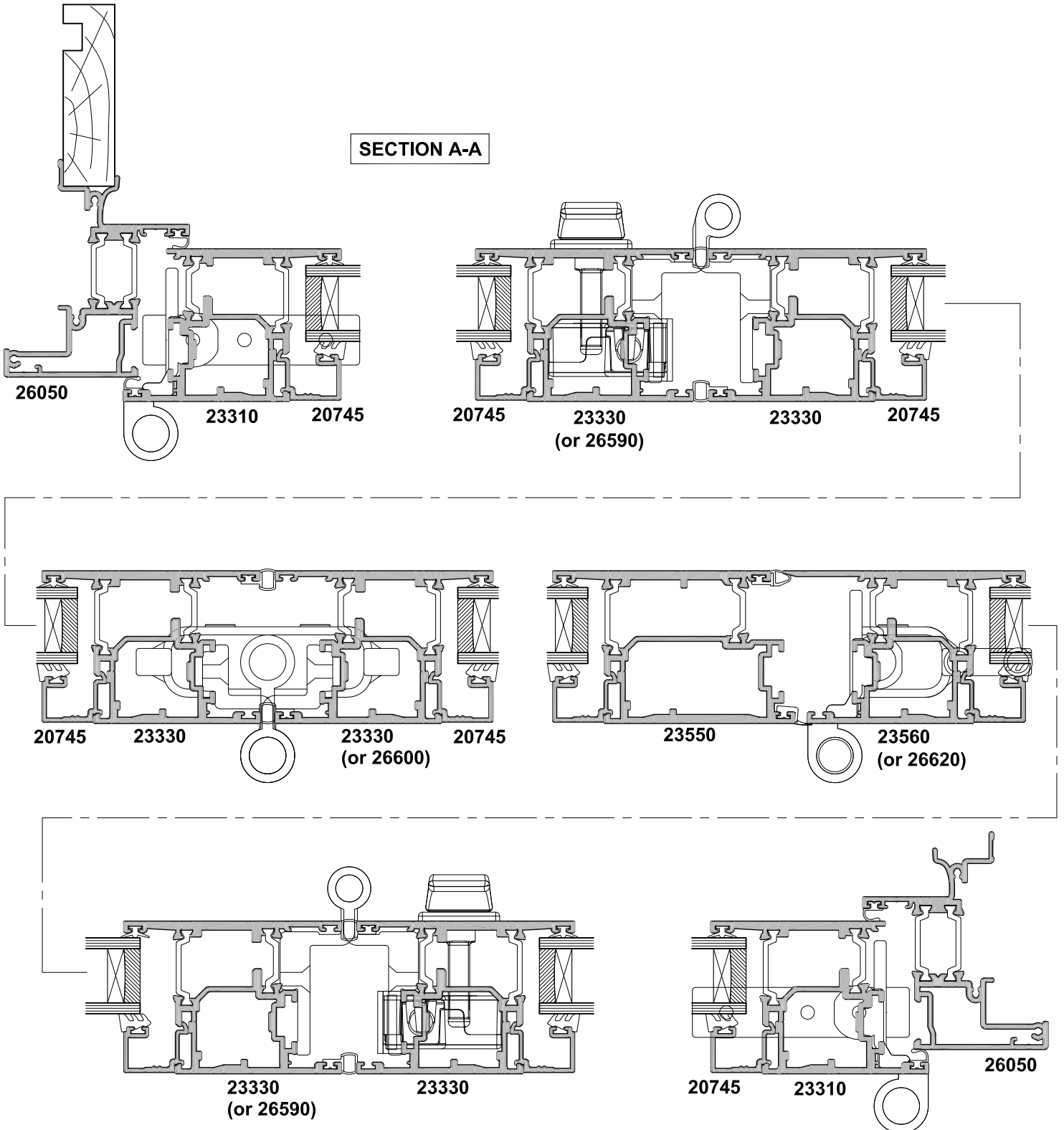


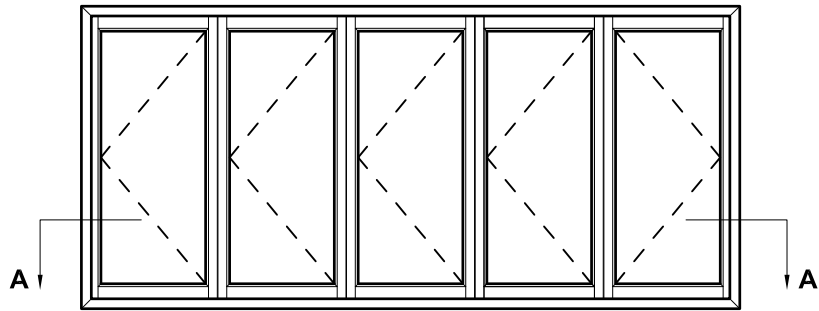
SECTION A-A



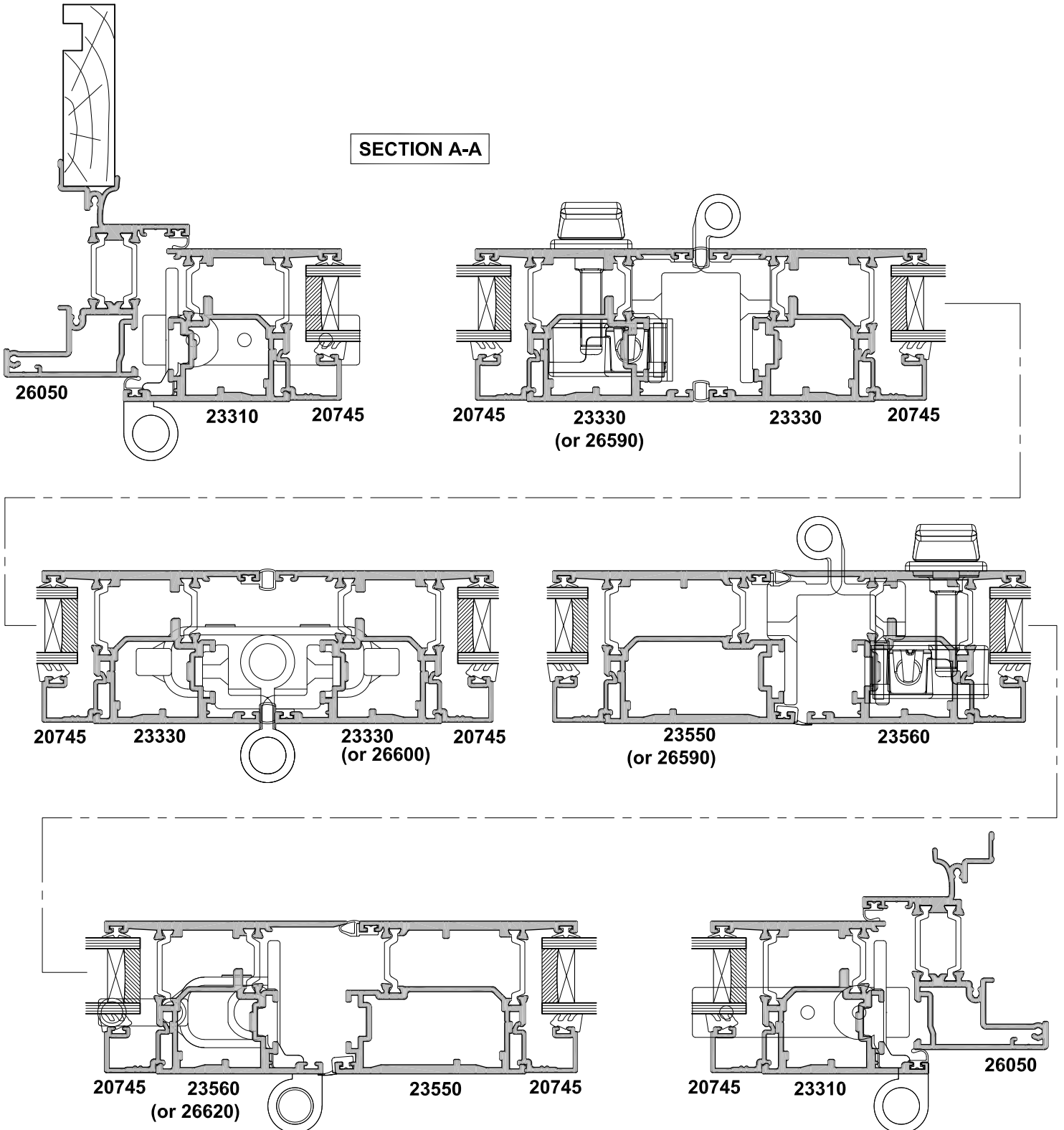


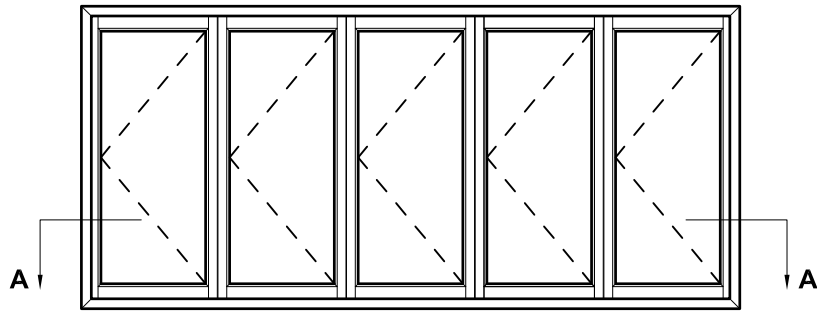
SECTION A-A



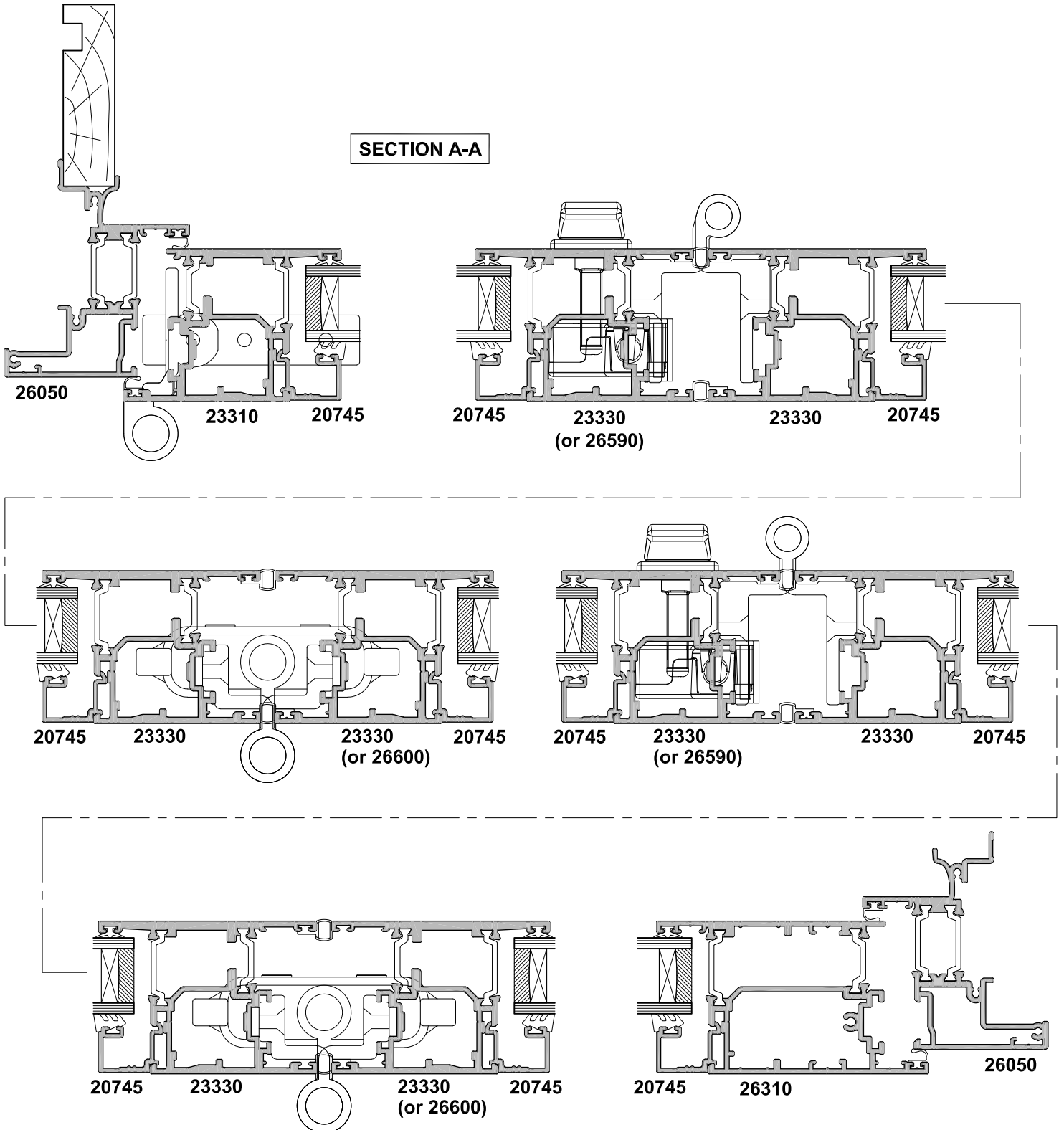


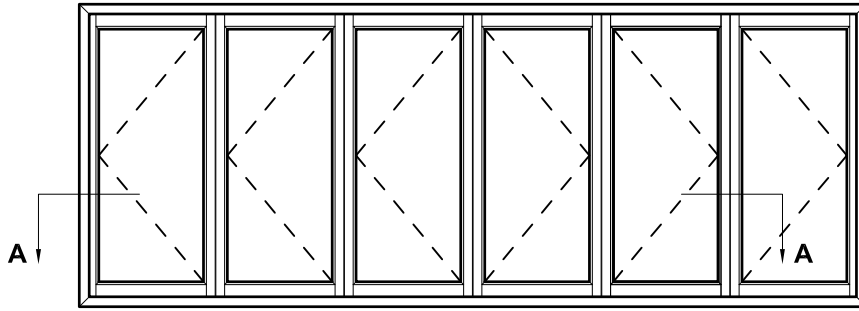
SECTION A-A



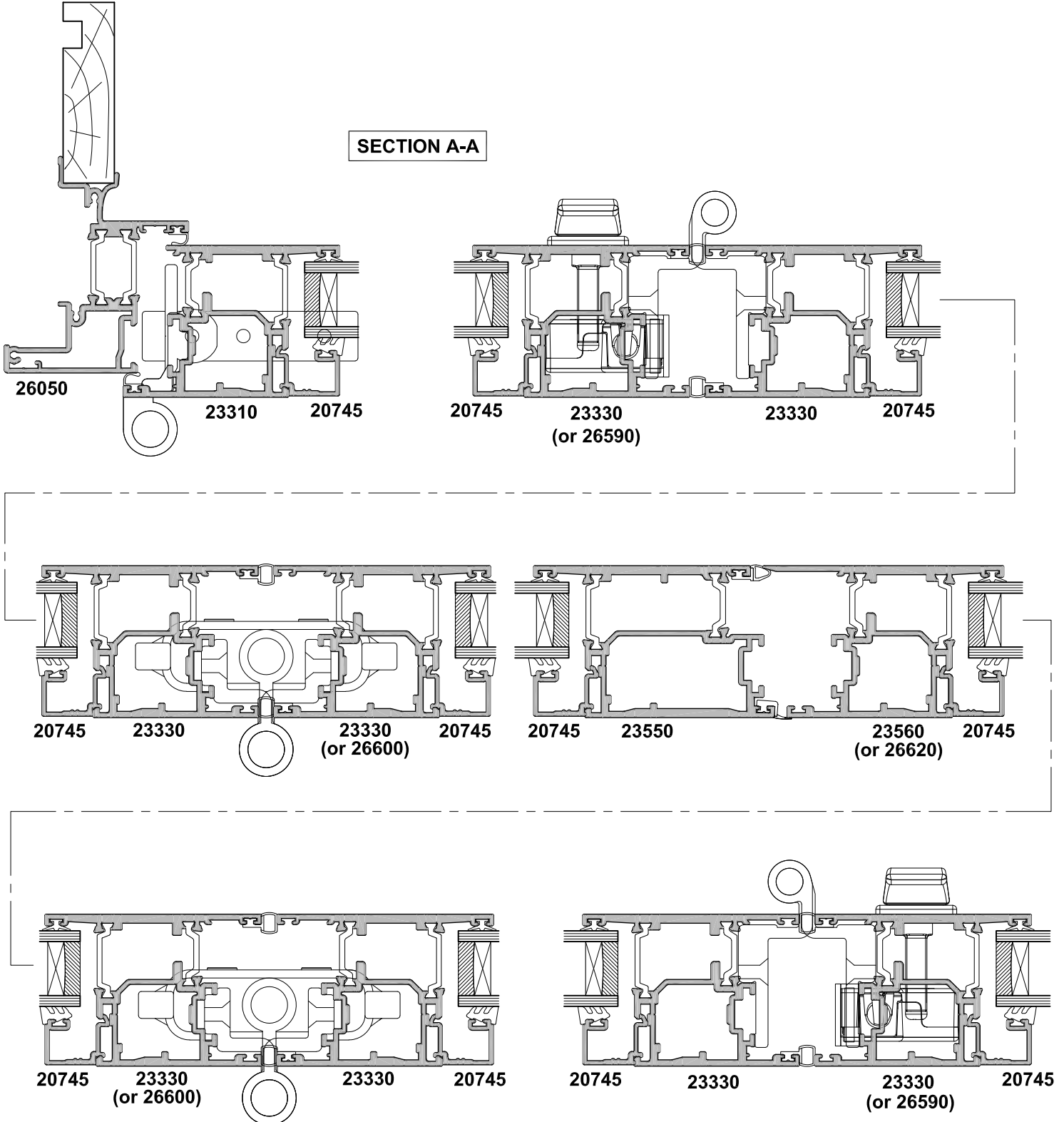


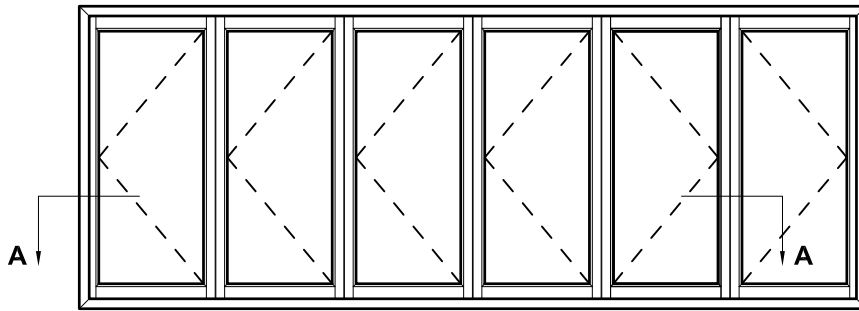
SECTION A-A



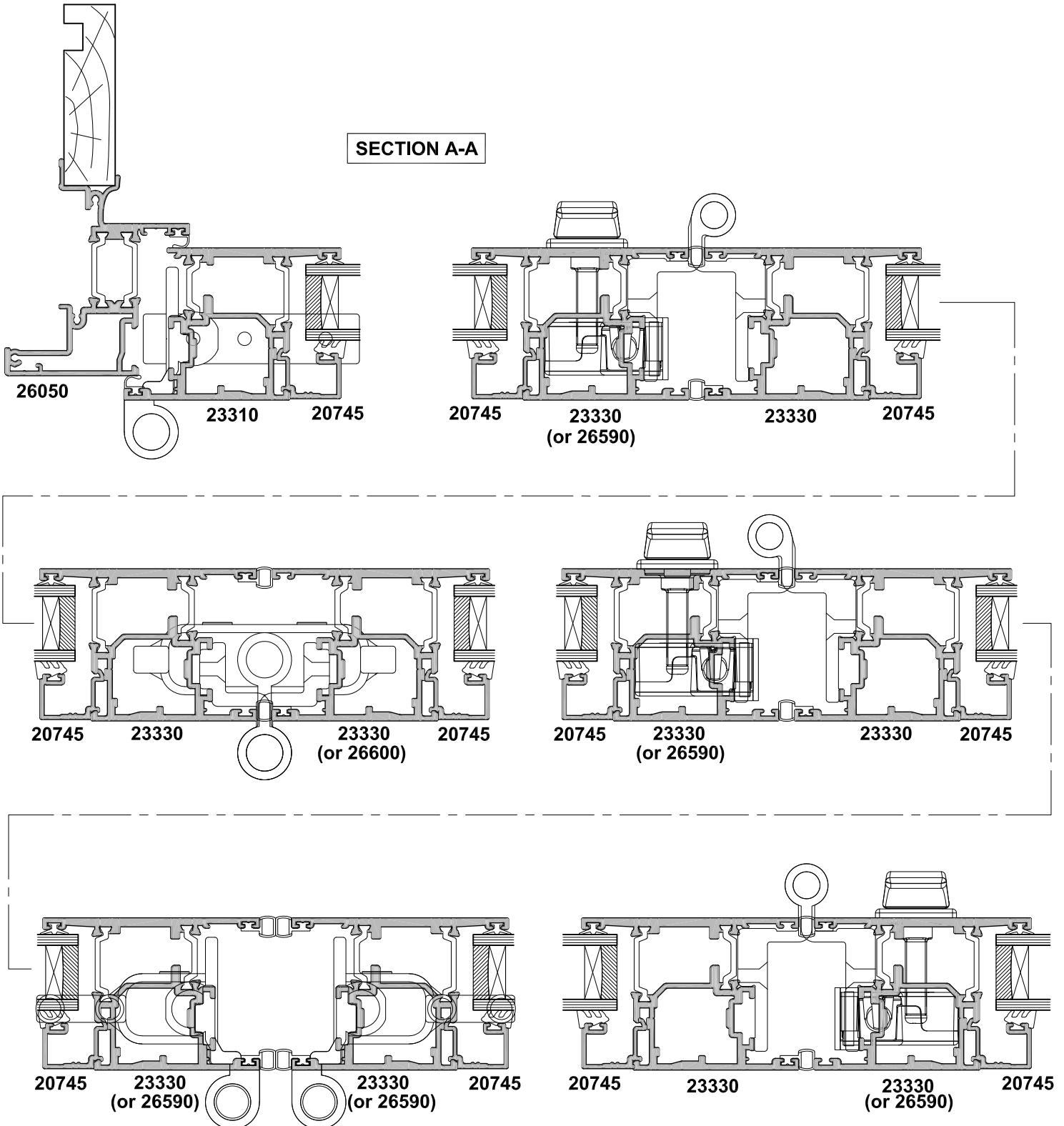


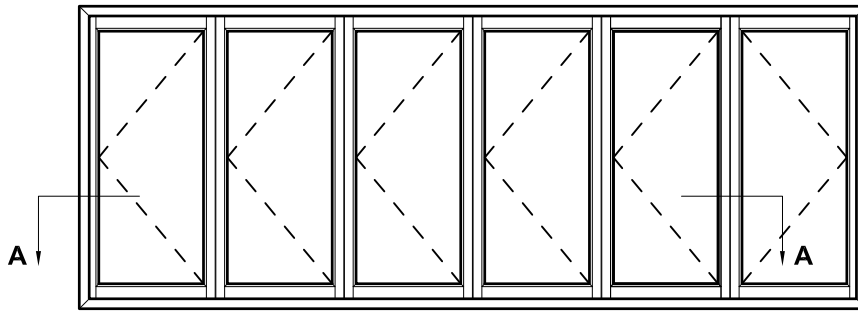
SECTION A-A



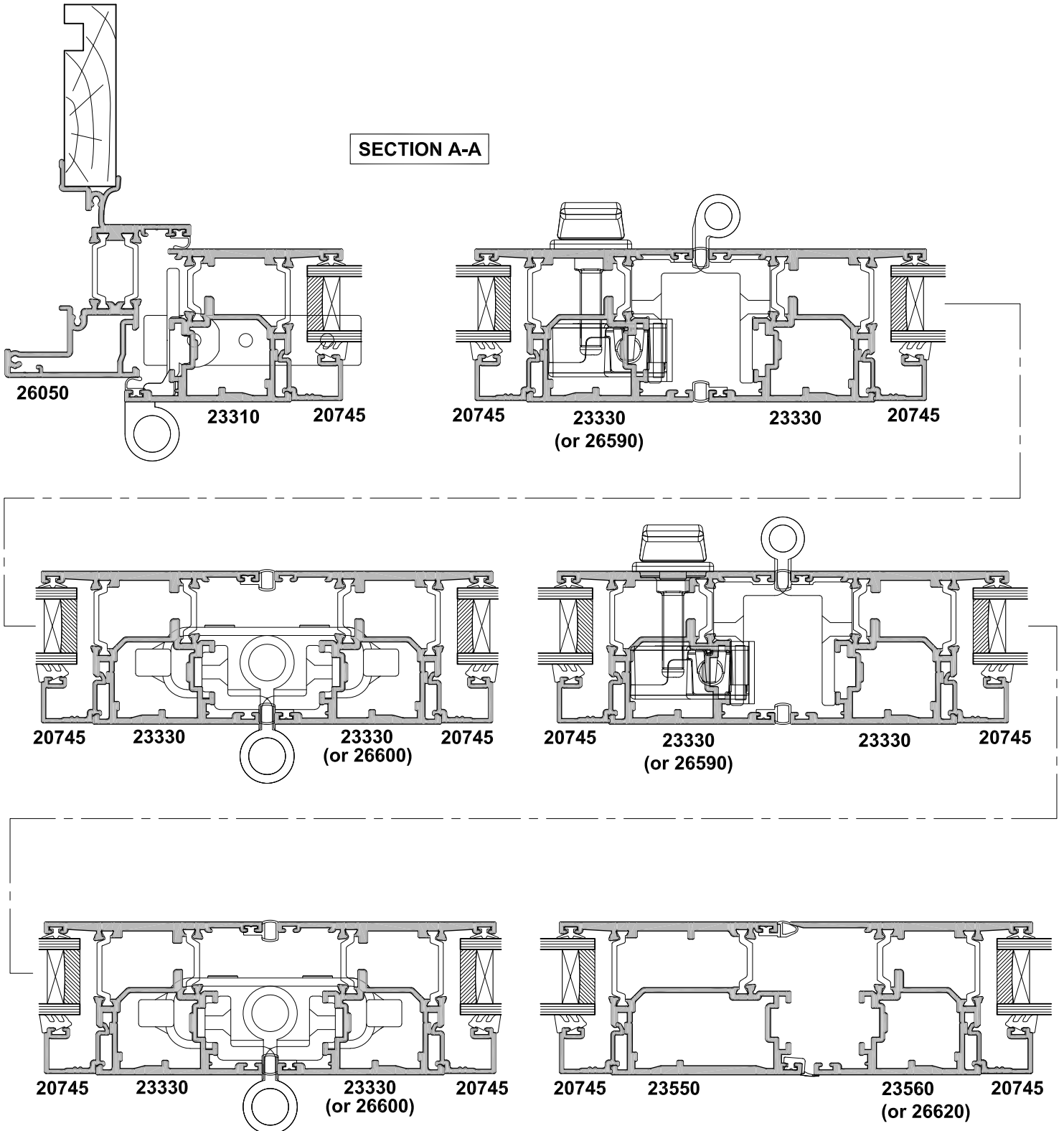


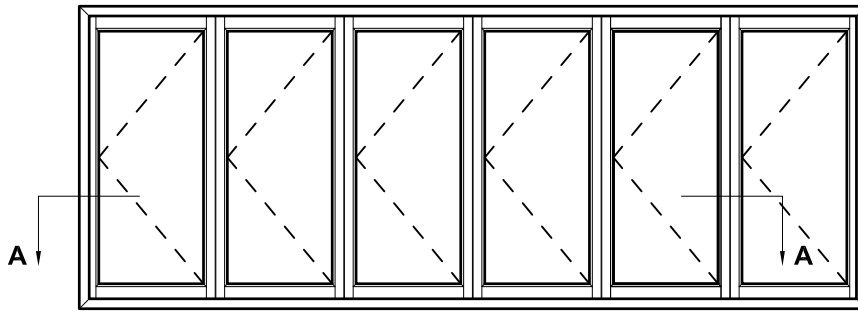
SECTION A-A





SECTION A-A





SECTION A-A

