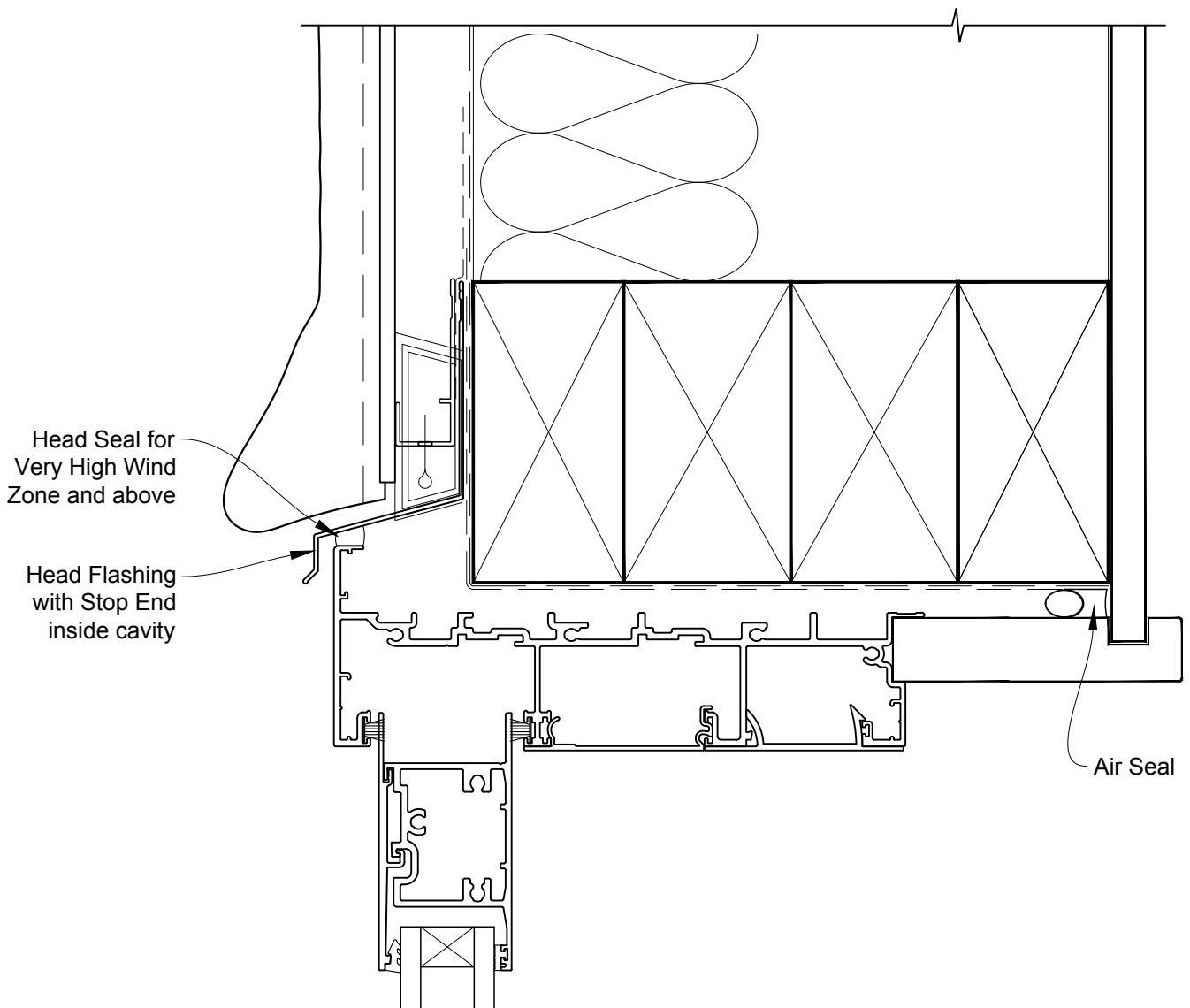


**INSTALLATION DETAIL - METRO SERIES  
MULTISLIDER WINDOW ON STUCCO  
CAVITY CONSTRUCTION**

Date: 01.10.16

Scale: 1:2

CAD Ref.: MSMWST-CH

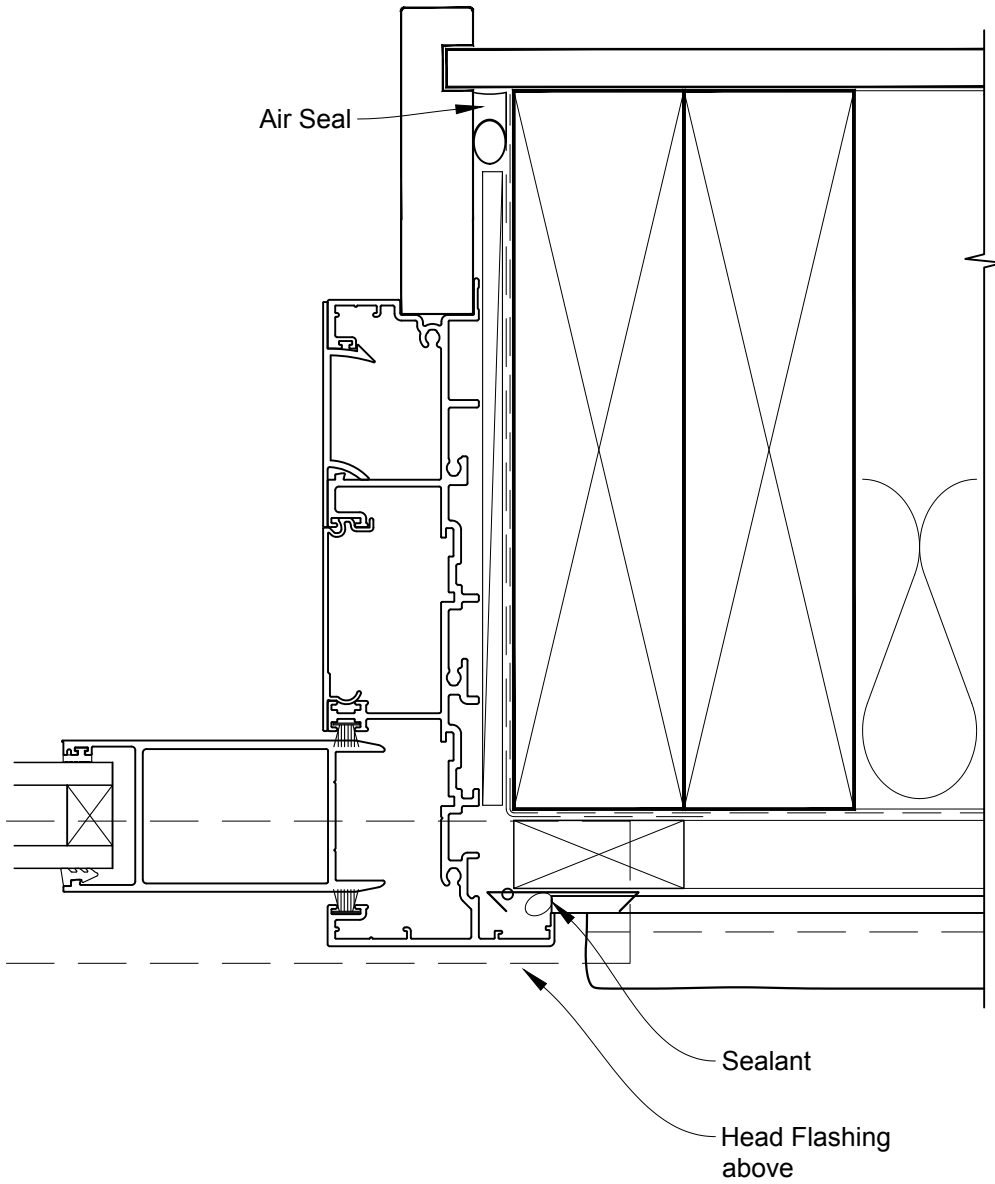


**INSTALLATION DETAIL - METRO SERIES  
MULTISLIDER WINDOW ON STUCCO  
CAVITY CONSTRUCTION**

Date: 01.10.16

Scale: 1:2

CAD Ref.: MSMWST-CJ

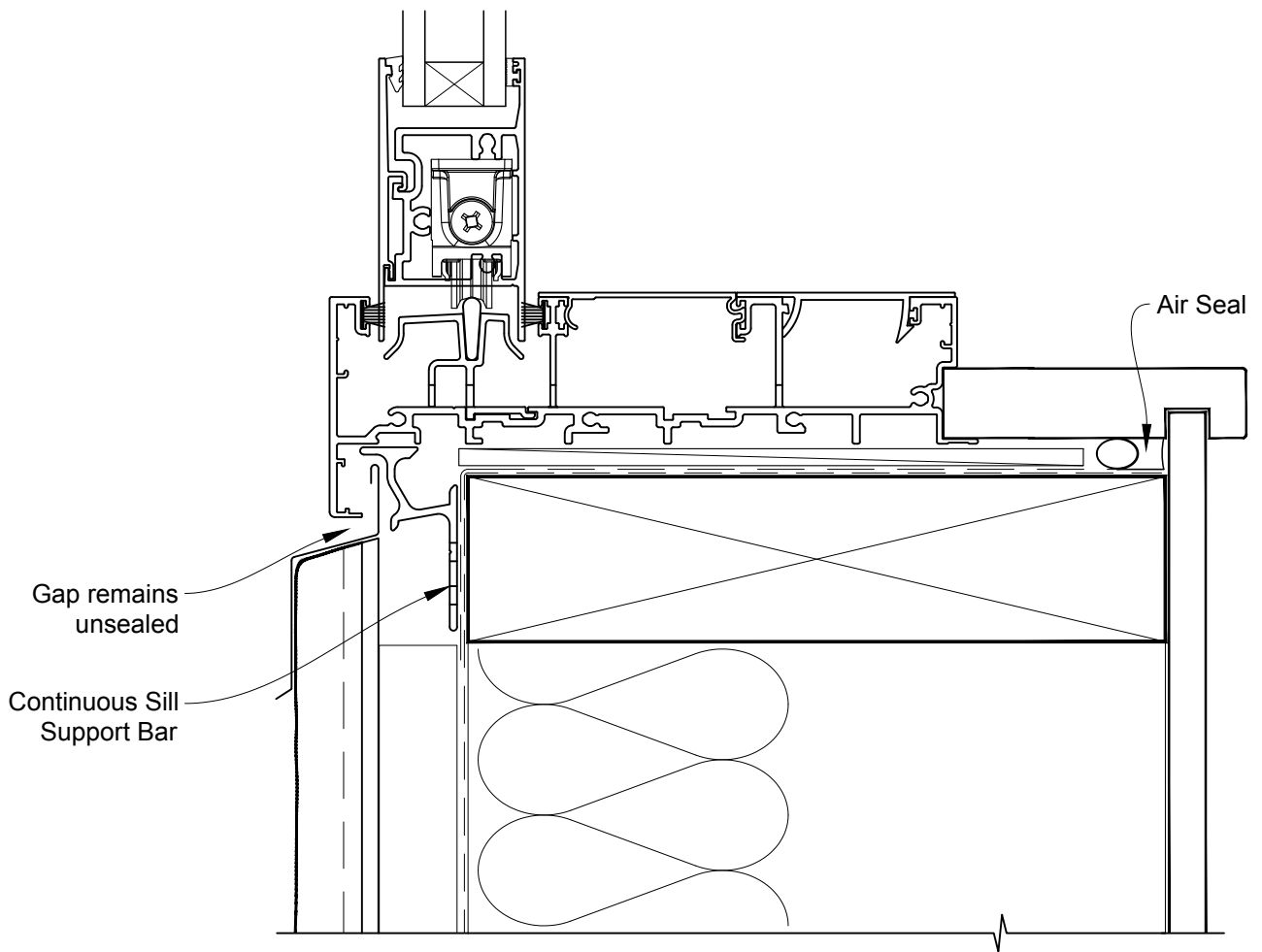


**INSTALLATION DETAIL - METRO SERIES  
MULTISLIDER WINDOW ON STUCCO  
CAVITY CONSTRUCTION**

Date: 01.10.16

Scale: 1:2

CAD Ref.: MSMWST-CS



**INSTALLATION DETAIL - METRO SERIES  
MULTISLIDER WINDOW ON STUCCO  
CAVITY CONSTRUCTION**

Date: 01.10.16

Scale: 1:2

CAD Ref.: MSMWST-CS2

