

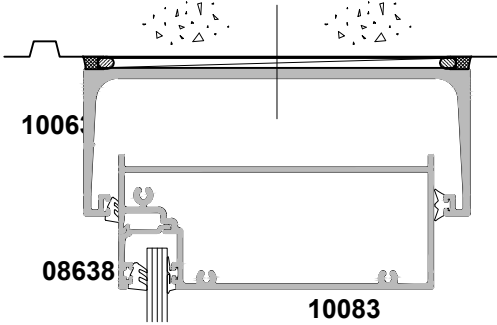


**125MM FLUSHGLAZE SYSTEM
SINGLE GLAZED, SEISMIC SYSTEM
CROSS SECTION**

CAD REF. VCFG13-0

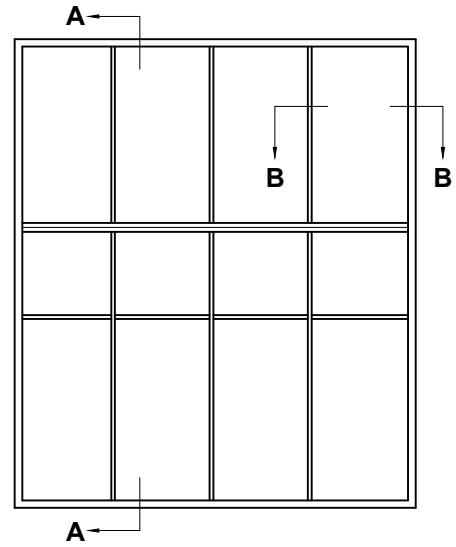
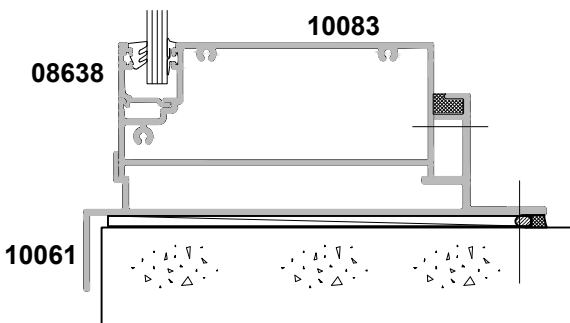
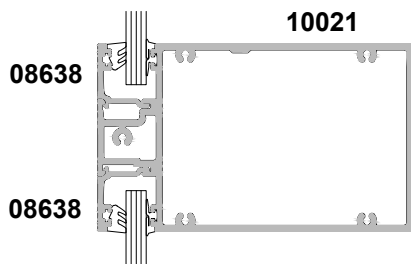
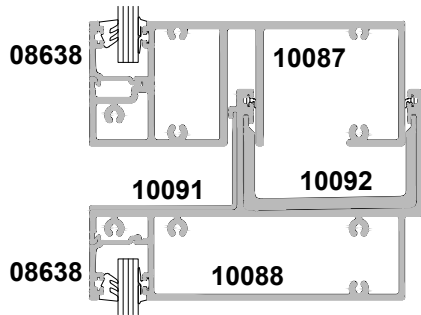
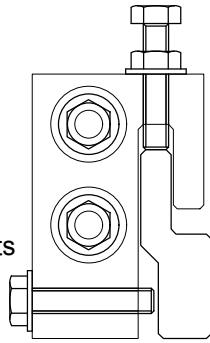
DATE
01.08.16

SCALE
1:3



SECTION A-A

Deadload Brackets
(design specific)

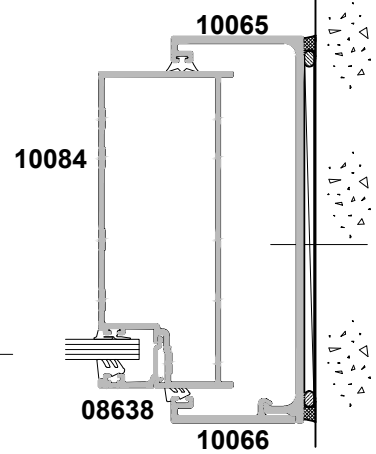


A

B

B

A

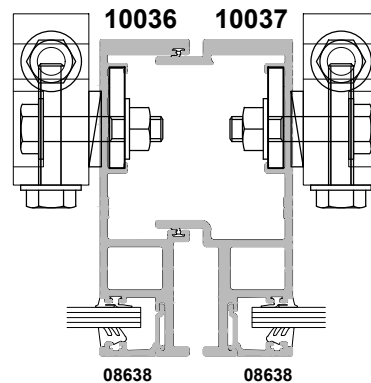


08638

10066

SECTION B-B

Deadload Bracket
(design specific)



08638

08638