

HORIZONTAL WEATHERBOARD CAVITY SYSTEM

REV: 11 2024

H00: Wall Batten Elevation

H01: External Corner on Cavity

H02: Internal Corner on Cavity

H03: Horizontal Wall Jointer

H04: 90 Deg Corner Cap

H05: Vertical Wall Starter

H06: No Soffit Detail on Cavity

H07: Soffit Detail on Cavity

H08: Timber Floor on Cavity

H09: Window Head on Cavity

H10: Window Jam on Cavity

H11: Window Sill on Cavity

H12: Sill - Jamb on Cavity

H13: Head Flashing / Head Starter / Jamb Iso

H14: Head - Jamb Iso

H15: Head - Jamb Notching Details

H16: Meter Box Head on Cavity

H17: Meter Box Jamb on Cavity

H18: Meter Box Sill on Cavity

H19: Pipe Penetrations on Cavity

H20: Roof - Wall Junction on Cavity

H21: Gutter Wall Junction on Cavity

H22: Parapet on Cavity

H23: Deck Junction on Cavity

H24: Inter - Storey Junction on Cavity

H25: Profiles

H26: Accessories

ULTRACLAD

Ultra-high performance cladding systems

PO Box 58009
Botany
Auckland 2163

Tel: 0800 500 338
Email: buildingsystems@vulcan.co
Web: buildingsystems.vulcan.co

VULCAN.

© 2023 Vulcan. All rights reserved.

HOR

Horizontal Weatherboard Cavity System

Building Systems

REVISION:

11

SCALE:

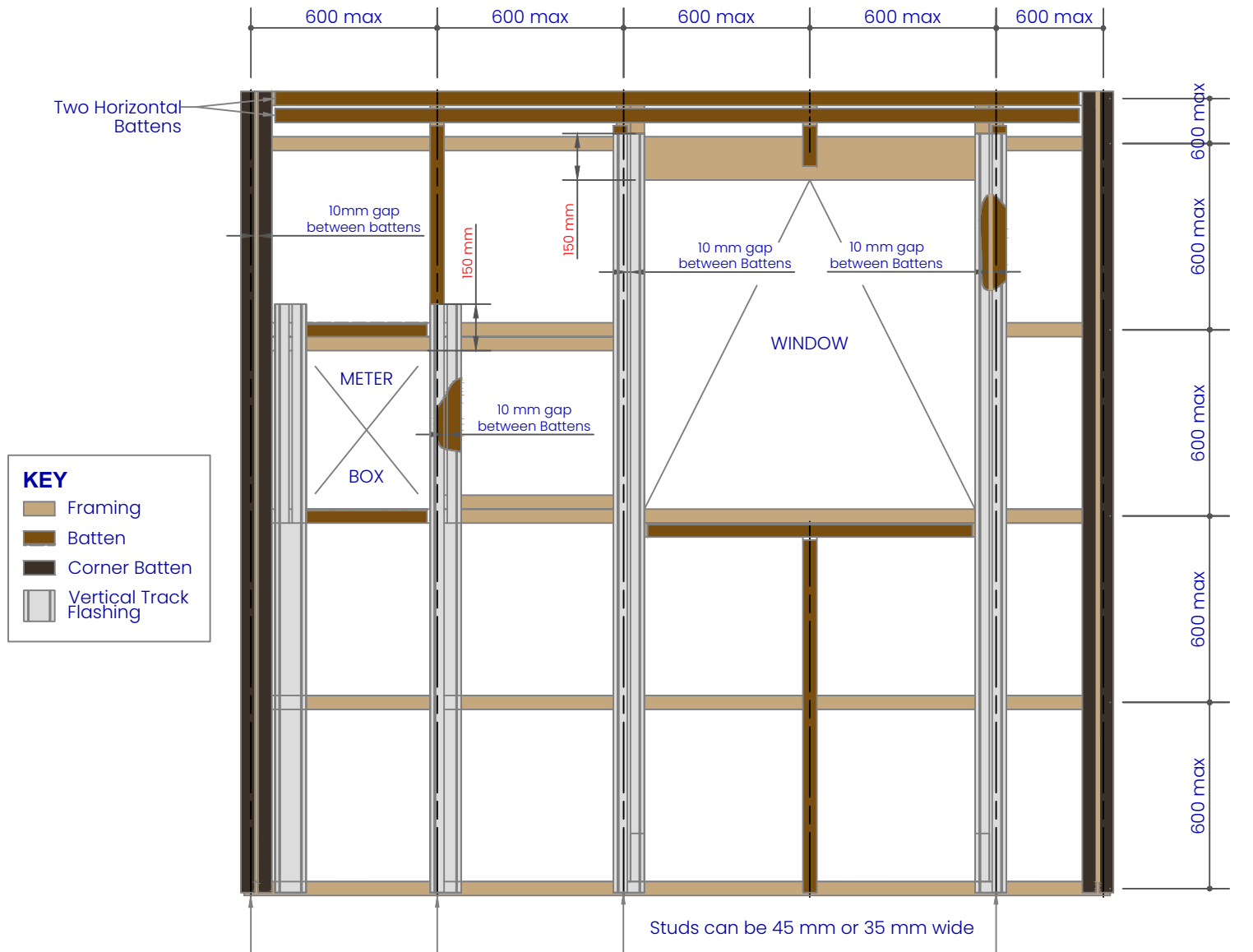
1 : 2 (@A4)

DATE:

2024

BRANZ APPRAISAL #487

Cavity Battens at 600 mm centres



Batten options

Impervious barrier (MDPE) or similar tape between cladding and batten.
To comply with NZBC E2/AS1 - Table 23.

Note:
Some machining of battens may be required to avoid "build up". i.e. back flashings / tapes

Cavity plastic Batten
Note: packing/shims may be needed to ensure boards are fitted flat without distortion.
* Additional timber may be required at soffit to support UA 5831 Soffit Base.

Note: Important

Underlay strips to isolate aluminium from treated timber battens 50 mm wide medium density polyethylene (MDPE)

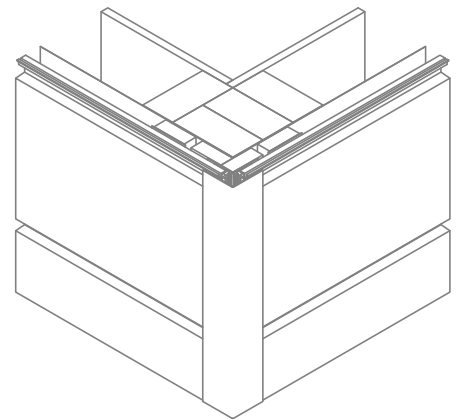
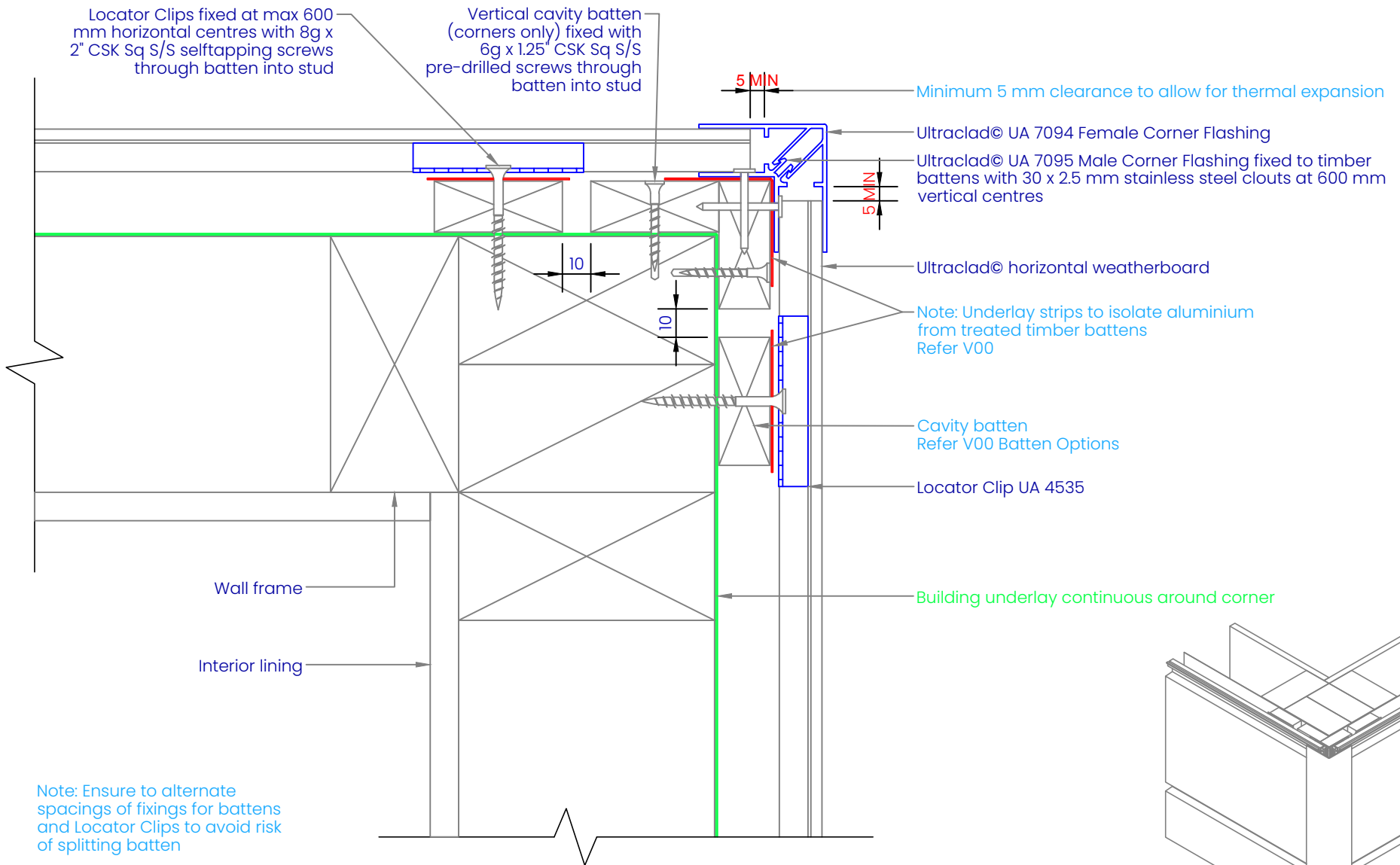
To comply with NZBC E2/AS1 - Table 23.
Properties of roofing underlays and wall underlays, separates aluminium components and accessories from timber battens treated with copper-based treatments

Cavity closers required as per NZBC E2/AS1 (section 9.1.8)

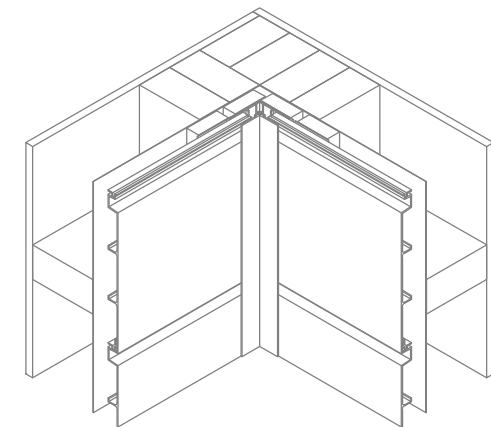
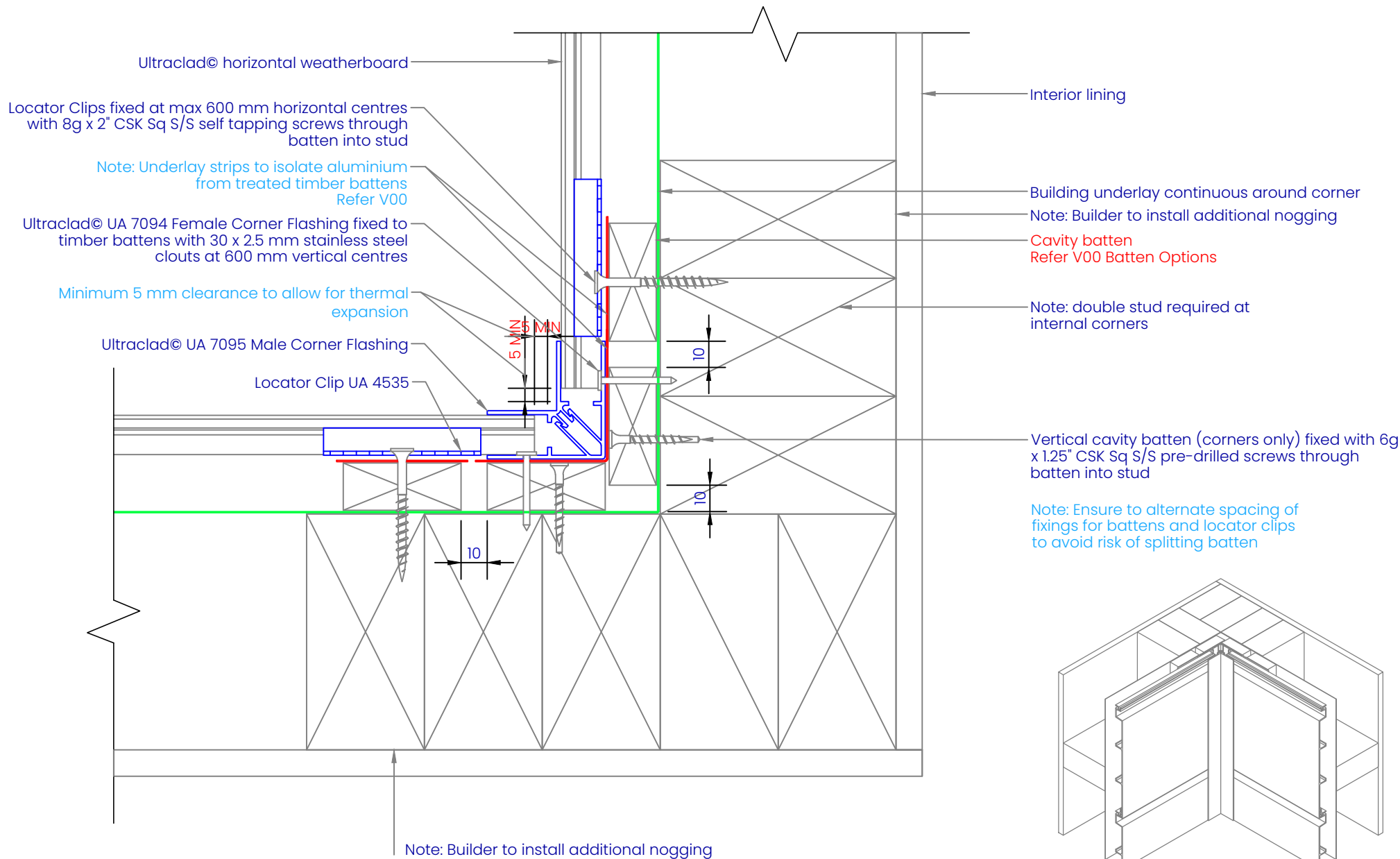
Vertical Cavity Corner Batten
50 x 25 mm H3.1 treated Radiata.
Cavity battens fixed with 6g x 1.25" CSK Sq S/S pre-drilled screws through batten into stud

0.9 x 90 mm Aluminium Track Flashing.
Alternatively use Dynex Dynaflash.

REVISION:	11
SCALE:	1 : 20 (@A4)
DATE:	2024
BRANZ APPRAISAL #487	



REVISION:	11
SCALE:	1 : 2 (@A4)
DATE:	2024
BRANZ APPRAISAL #487	



REVISION:	11
SCALE:	1 : 2 (@A4)
DATE:	2024
BRANZ APPRAISAL #487	

Minimum 5 mm clearance to allow for thermal expansion

Ultraclad® UA 6324 Jointer Base
fixed to wall frame with 30 x 2.5 mm
clouts at 600 mm centres

Cavity batten
Refer V00 Batten Options

Note: Underlay strips to isolate aluminium
from treated timber battens
Refer V00

5 MIN 5 MIN

Minimum 5 mm clearance to allow for thermal expansion

Ultraclad® UA 7096 Flat Jointer Top

Ultraclad® horizontal weatherboard

Building underlay

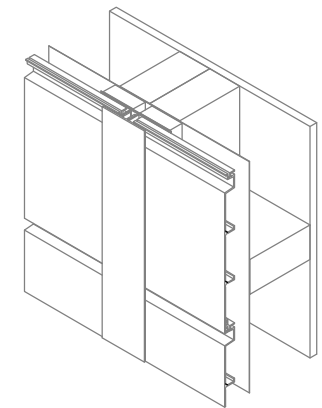
Drained and vented cavity as per NZBC
E2/AS1 (section 9.1.8)

10

Note: Ensure to alternate spacing of
fixings for battens and locator clips
to avoid risk of splitting batten

Interior lining

Double studs behind
vertical jointer



ULTRACLAD

Ultra-high performance cladding systems

PO Box 58009
Botany
Auckland 2163

Tel: 0800 500 338
Email: buildingsystems@vulcan.co
Web: buildingsystems.vulcan.co

VULCAN.
© 2023 Vulcan. All rights reserved.

H03

HORIZONTAL WALL JOINTER

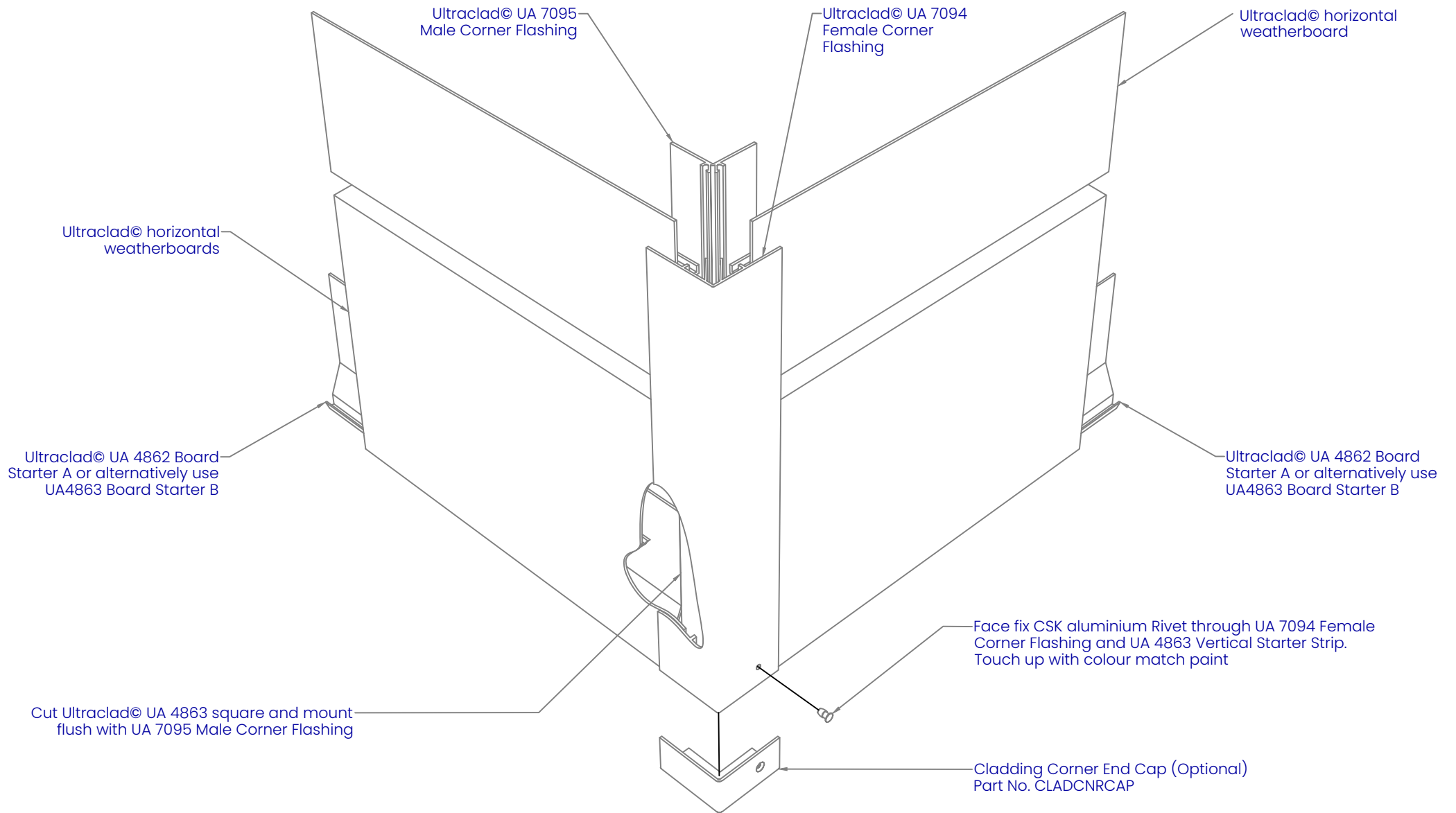
Building Systems: Horizontal Weatherboard Cavity System

REVISION: 11

SCALE: 1 : 2 (@A4)

DATE: 2024

BRANZ APPRAISAL #487



REVISION:	11
SCALE:	1 : 3 (@A4)
DATE:	2024
BRANZ APPRAISAL #487	

Ultraclad® horizontal weatherboards fixed with Locator Clips fixed at Max 600 mm horizontal centres with 8g x 2" CSK Sq S/S self tapping screws through batten into stud

Building underlay

Note: Underlay strips to isolate aluminium from treated timber battens Refer V00

Cavity batten Refer V00 Batten Options

Ultraclad® UA 4862 Board Starter A or alternatively use UA 4863 fixed to bottom plate with 50 x 2.5 mm clouts at 600 mm centres

Ultraclad® Cavity Vent Strip Alternatively use PVC type

Note: 100 mm minimum to permanent paving or 175 mm to unpaved ground to clause 9.1.3 of E2/AS1

Concrete slab or Blockwork

Finished ground level

Interior lining

Bottom plate over DPC

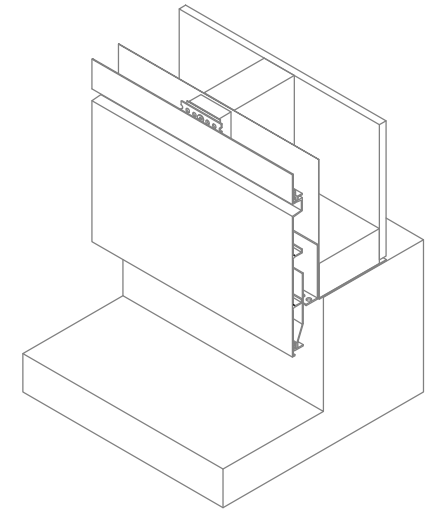
Note: Ensure to alternate spacings of fixings for battens and Locator Clips to avoid risk of splitting batten

6 mm overhang (optional)

50

100

10



ULTRACLAD
Ultra-high performance cladding systems

PO Box 58009
Botany
Auckland 2163

Tel: 0800 500 338
Email: buildingsystems@vulcan.co
Web: buildingsystems.vulcan.co

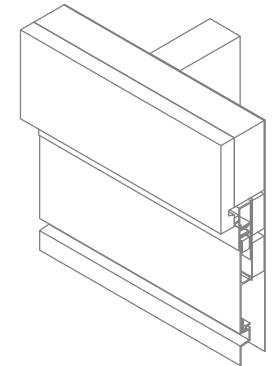
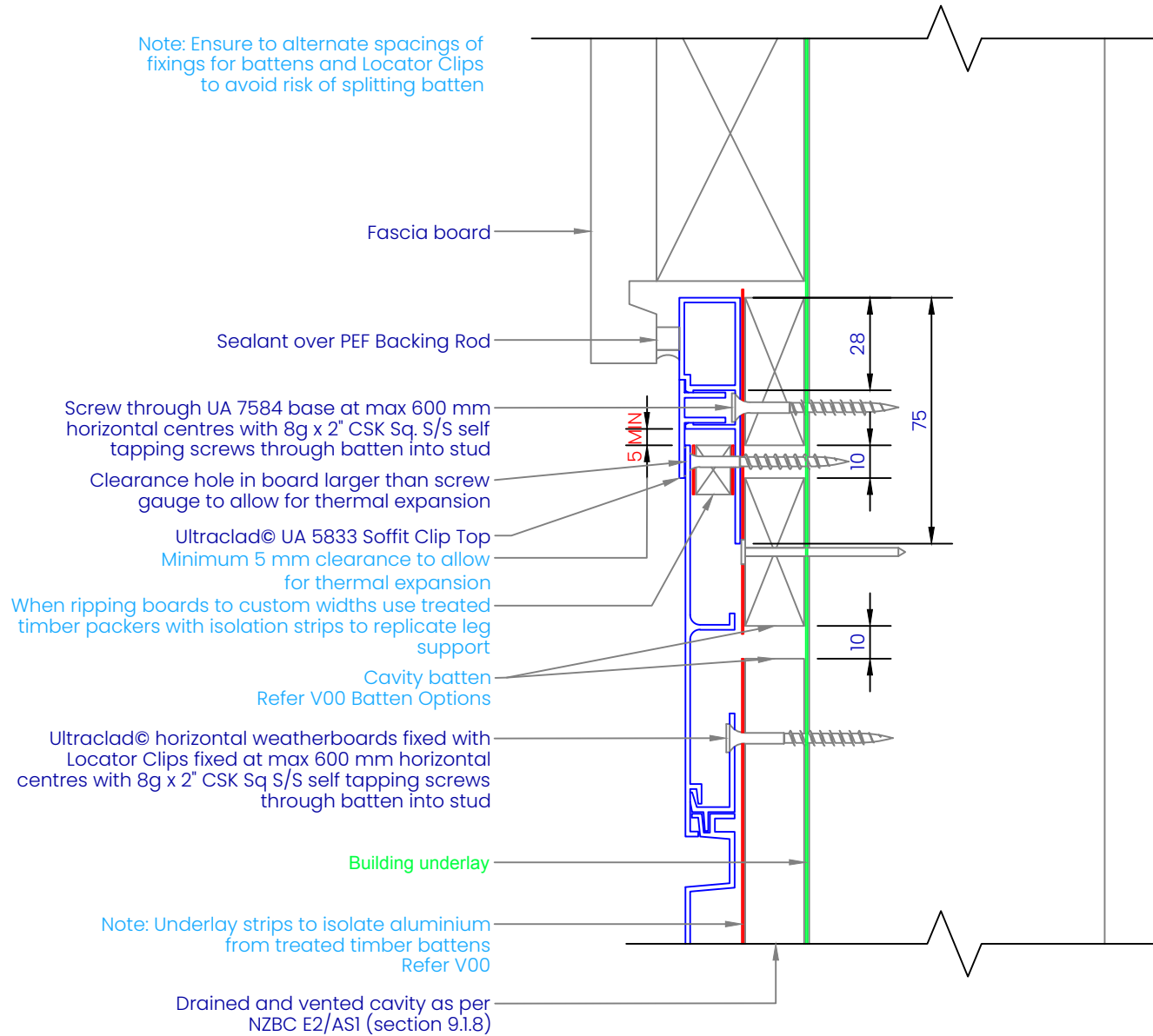
VULCAN.
© 2023 Vulcan. All rights reserved.

H05
VERTICAL WALL STARTER

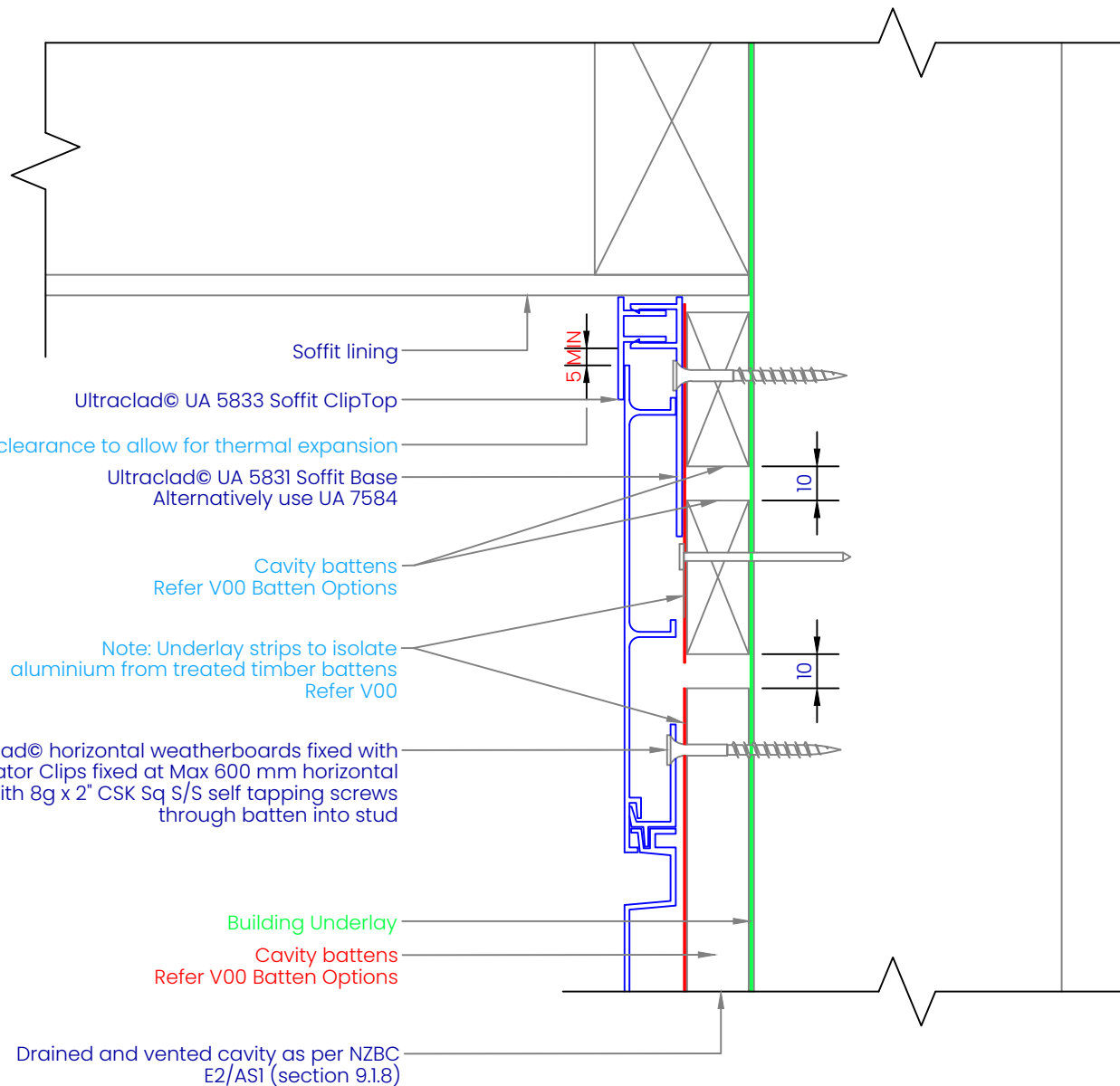
Building Systems: Horizontal Weatherboard Cavity System

REVISION:	11
SCALE:	1 : 2 (@A4)
DATE:	2024
BRANZ APPRAISAL #487	

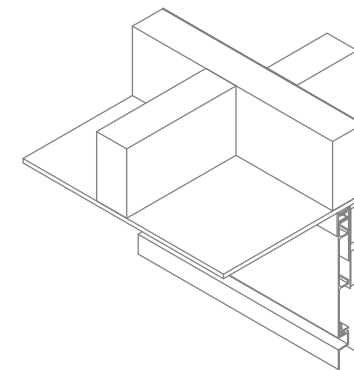
Note: Ensure to alternate spacings of fixings for battens and Locator Clips to avoid risk of splitting batten



REVISION:	11
SCALE:	1 : 2 (@A4)
DATE:	2024
BRANZ APPRAISAL #487	



Note: Ensure to alternate spacings of fixings for battens and Locator Clips to avoid risk of splitting batten



ULTRACLAD
Ultra-high performance cladding systems

PO Box 58009
Botany
Auckland 2163

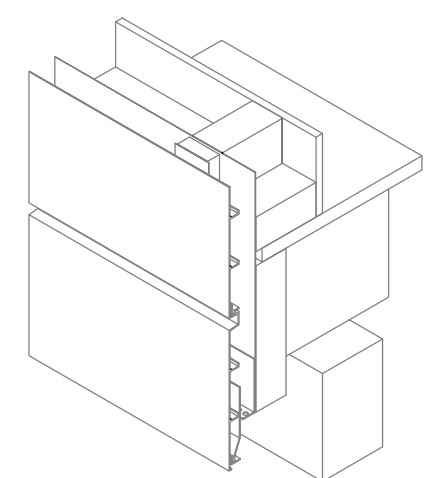
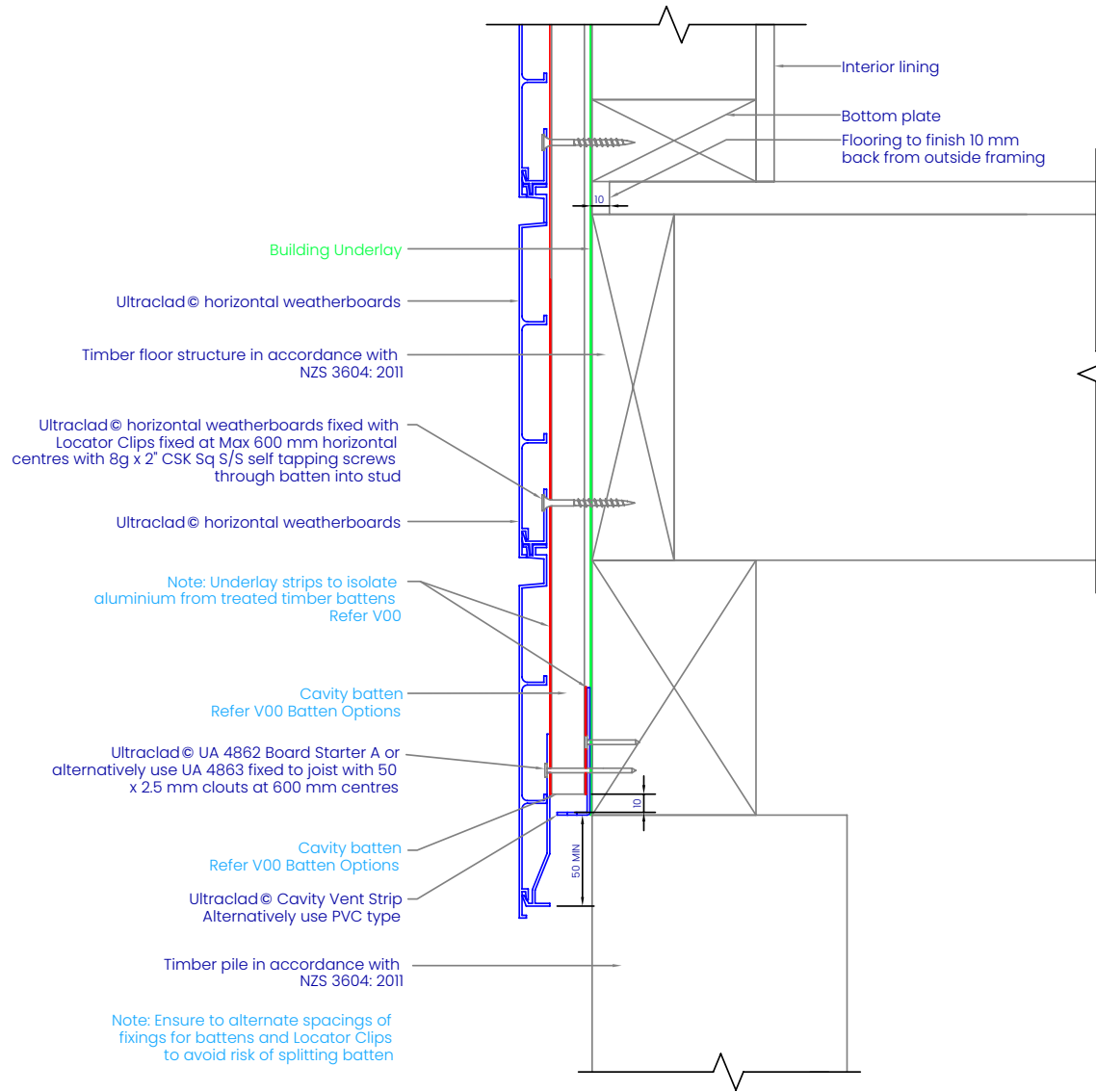
Tel: 0800 500 338
Email: buildingsystems@vulcan.co
Web: buildingsystems.vulcan.co

VULCAN.
© 2023 Vulcan. All rights reserved.

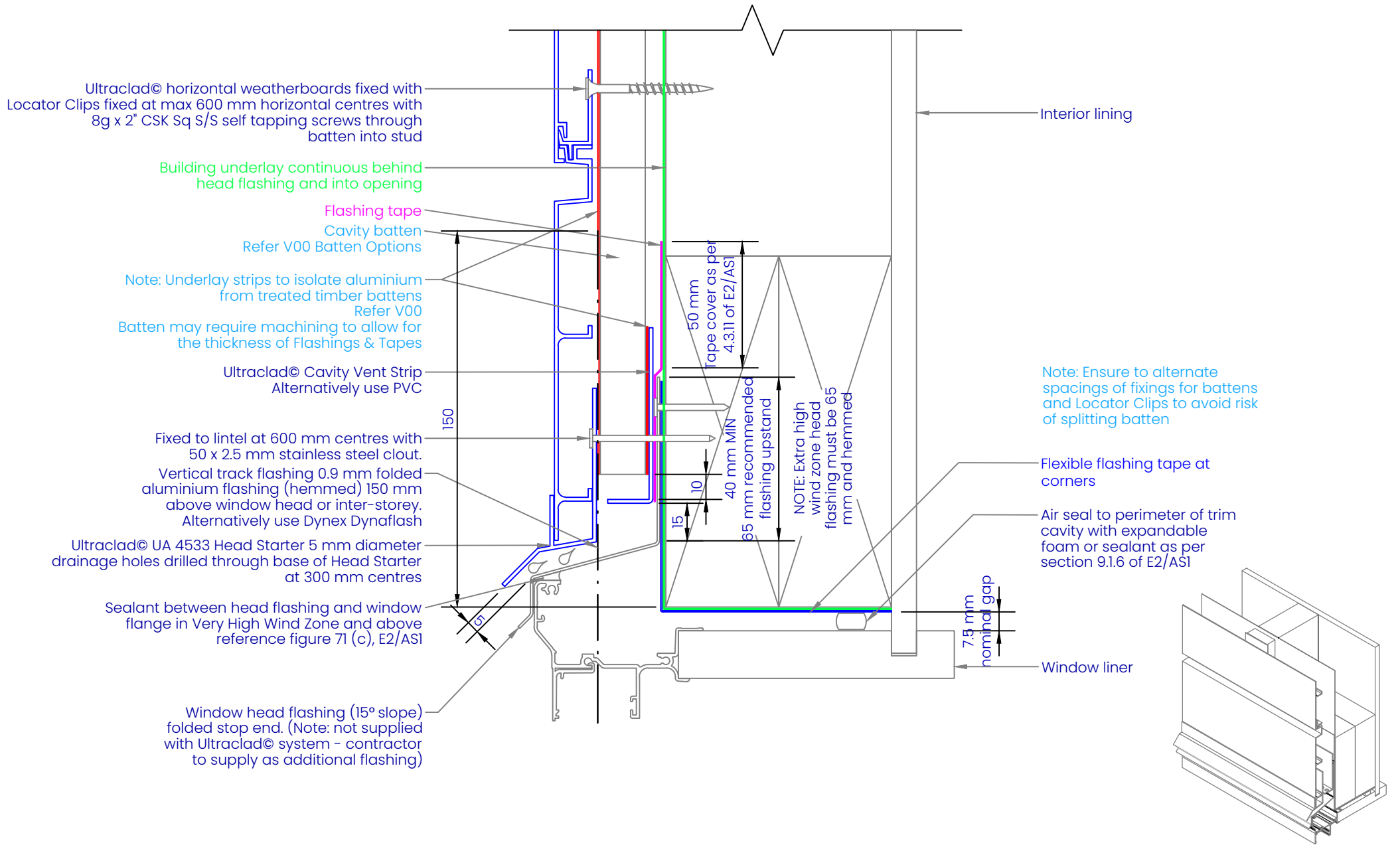
H07
SOFFIT DETAIL ON CAVITY

Building Systems: Horizontal Weatherboard Cavity System

REVISION:	11
SCALE:	1 : 2 (@A4)
DATE:	2024
BRANZ APPRAISAL #487	



REVISION:	11
SCALE:	1 : 4 (@A4)
DATE:	2024
BRANZ APPRAISAL #487	



ULTRACLAD

Ultra-high performance cladding systems

PO Box 58009
Botany
Auckland 2163

Tel: 0800 500 338
Email: buildingsystems@vulcan.co
Web: buildingsystems.vulcan.co

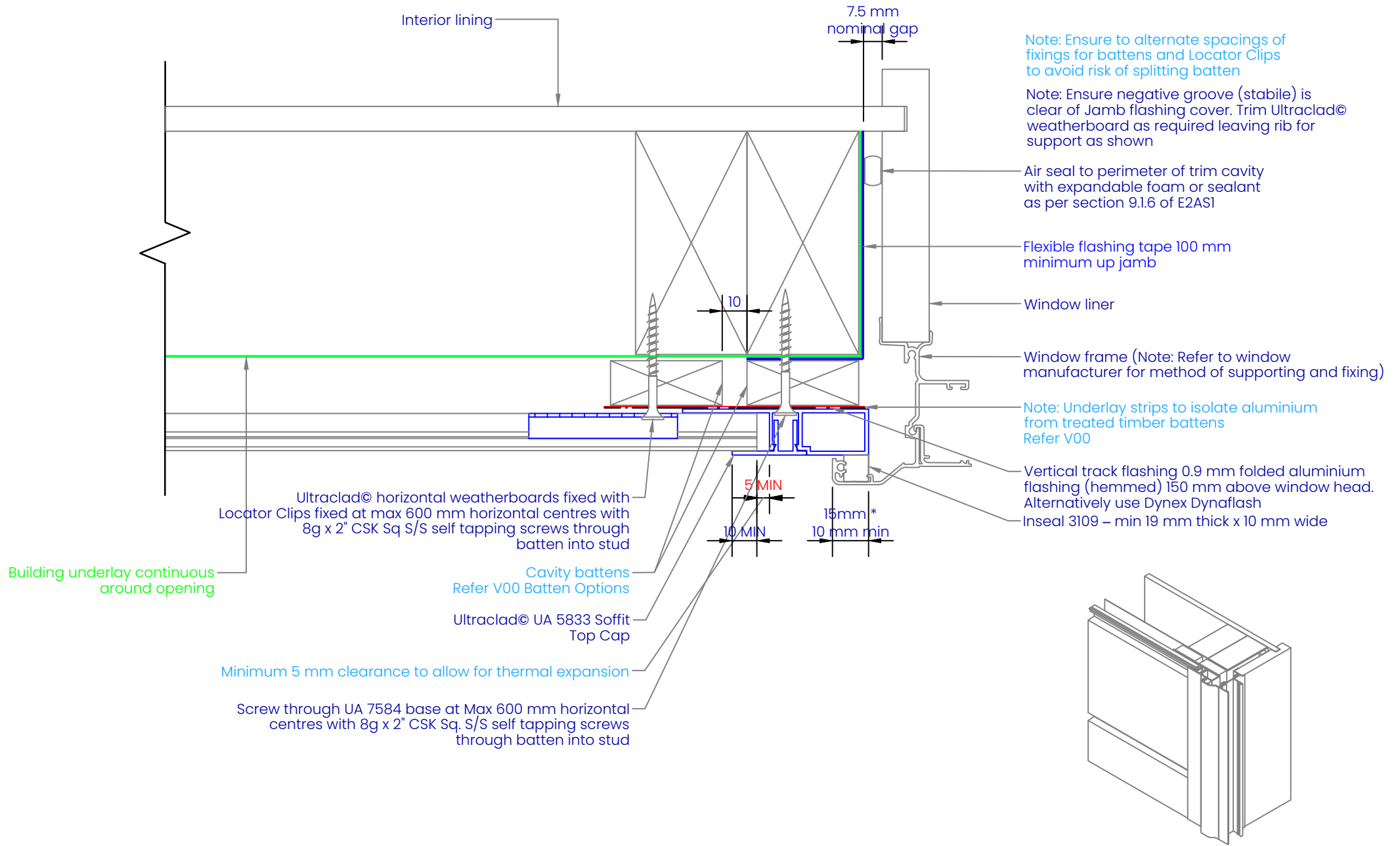
VULCAN.
© 2023 Vulcan. All rights reserved.

H09

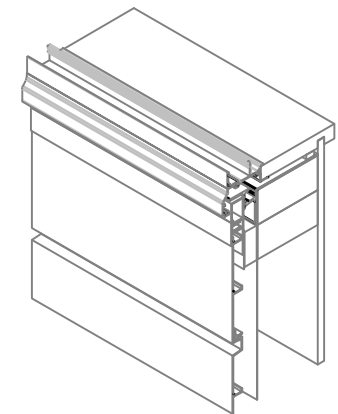
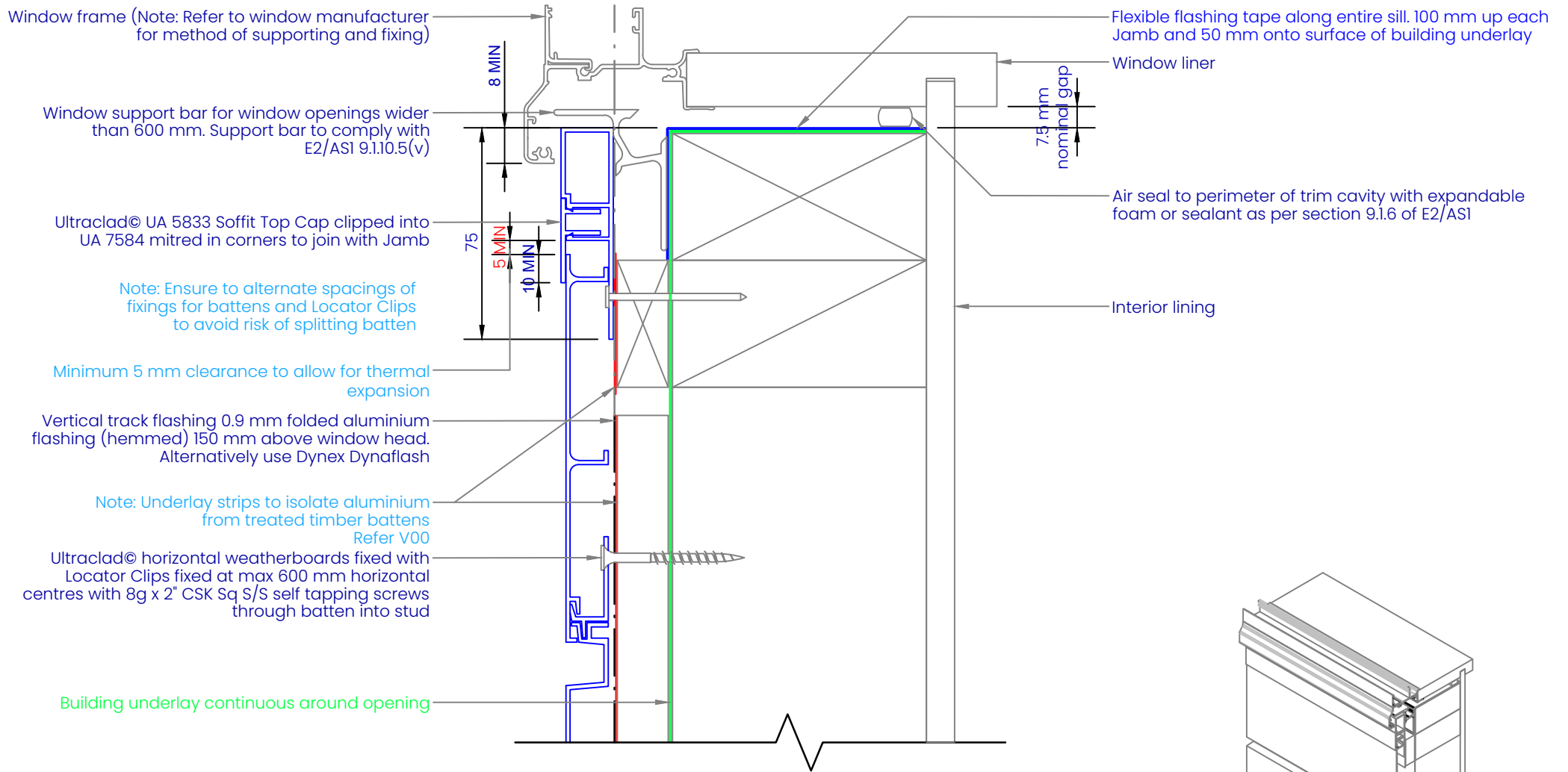
WINDOW HEAD ON CAVITY

Building Systems: Horizontal Weatherboard Cavity System

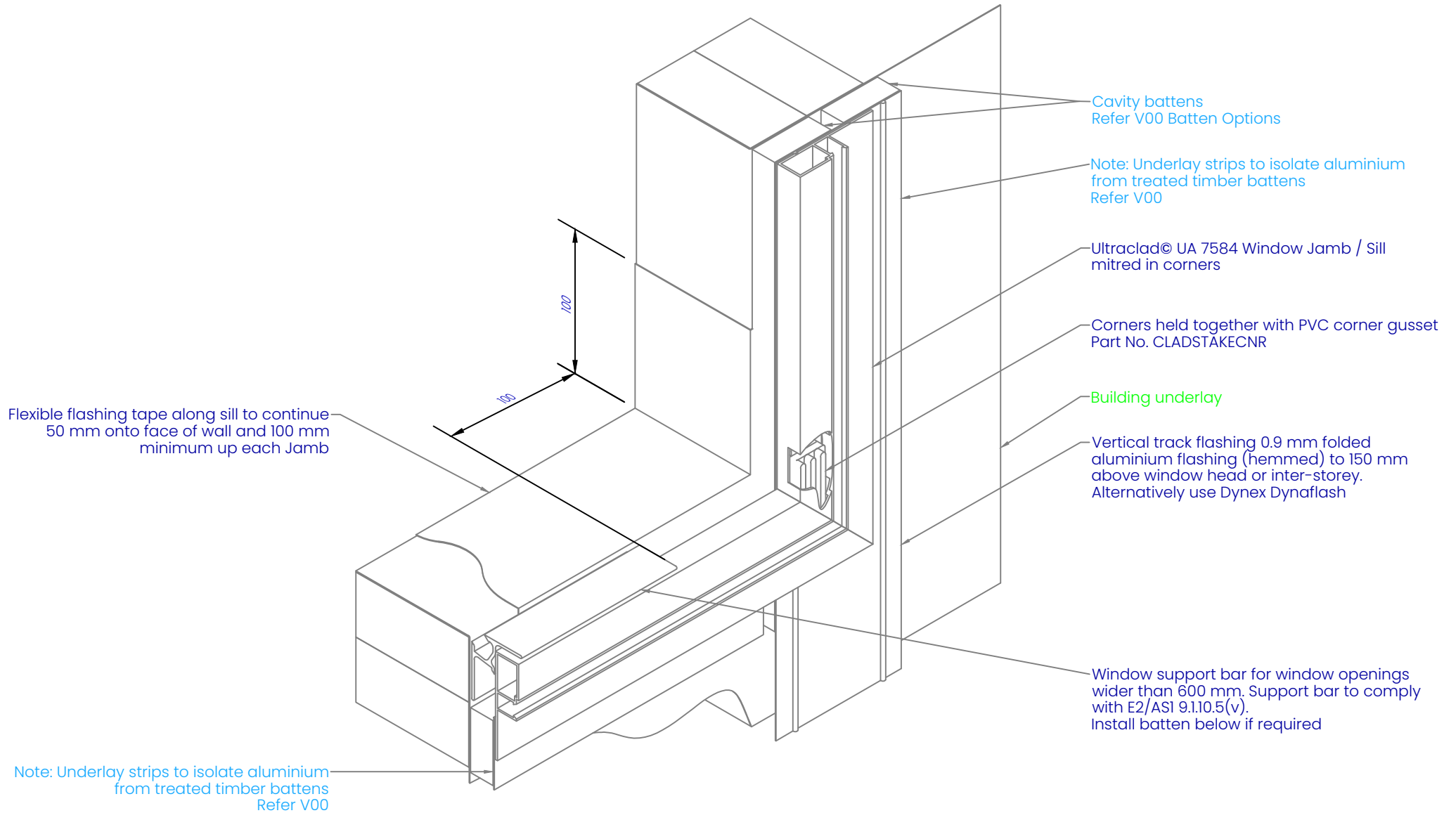
REVISION:	11
SCALE:	1 : 2 (@A4)
DATE:	2024
BRANZ APPRAISAL #487	



REVISION:	11
SCALE:	1 : 2 (@A4)
DATE:	2024
BRANZ APPRAISAL #487	



REVISION:	11
SCALE:	1 : 2 (@A4)
DATE:	2024
BRANZ APPRAISAL #487	



REVISION:	11
SCALE:	1 : 3 (@A4)
DATE:	2024
BRANZ APPRAISAL #487	

Vertical track flashing 0.9 mm folded aluminium flashing (hemmed) to 150 mm above window head. Alternatively use Dynex Dynaflash - Trimmed to fit around Head/Jam

600 MAX

Battens above window for fixing window head Starter UA 4533. Outer batten both sides to sit inside stop end of head flashing.

Ultraclad® UA 4533 Head Starter

Ultraclad® Cavity Vent Strip Alternatively use PVC

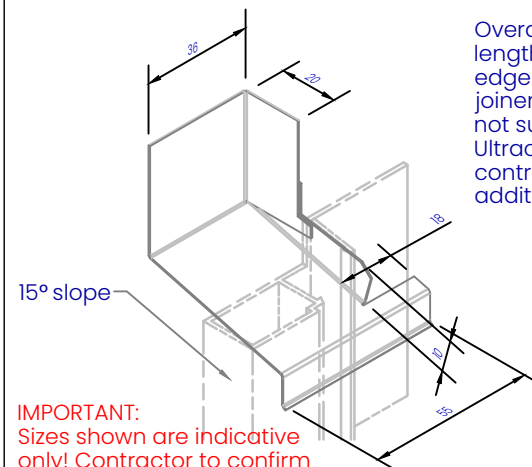
Ultraclad® UA 5833 Soffit Clip Top. To finish flush with window head flashing and starter

Ultraclad® UA 7584 Jamb Flashing

Window Head Flashing (15° slope) folded stop end. (Note: not supplied with Ultraclad® system - contractor to supply as additional flashing)

Ultraclad® UA 4533 Head Starter 5mm diameter drainage holes drilled through base of Head Starter at 300 mm centres

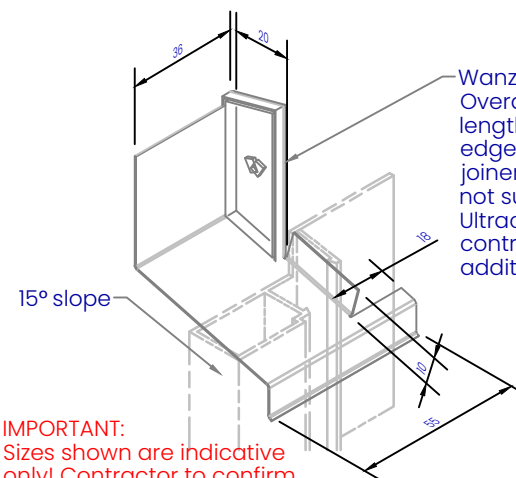
Window Head Flashing Option 1 Cut & Fold Stop End (1:2)



Overall Head Flashing length = +40 mm past edge of window and door joinery on each side. (Note not supplied with Ultraclad® system - contractor to supply as additional flashing)

IMPORTANT: Sizes shown are indicative only! Contractor to confirm onsite as joinery suites may vary

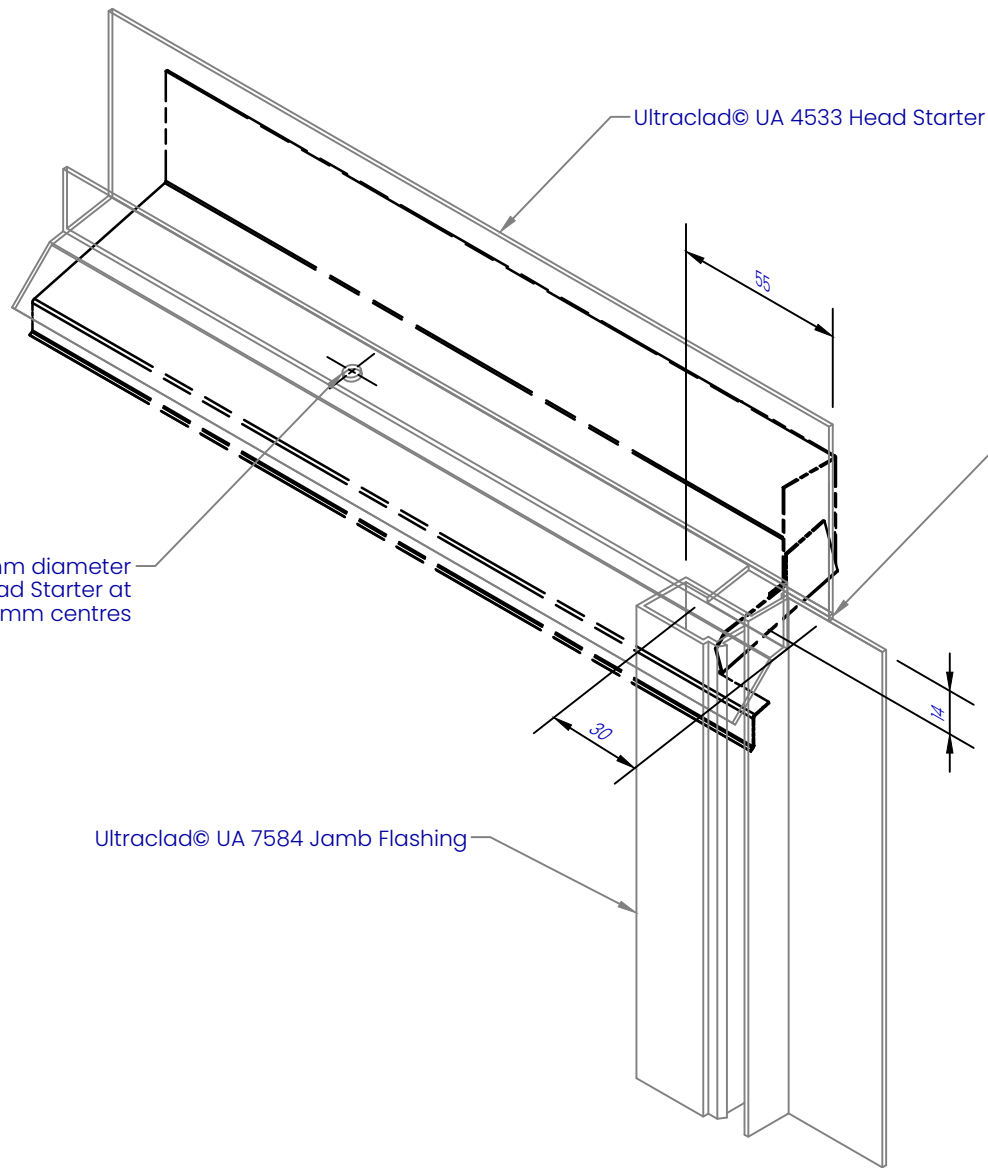
Window Head Flashing Option 2 Wanz Plastic Stop End Cap (1:2)



Wanz Plastic Stop End Overall Head Flashing length = +40 mm past edge of window and door joinery on each side. (Note not supplied with Ultraclad® system - contractor to supply as additional flashing)

IMPORTANT: Sizes shown are indicative only! Contractor to confirm onsite as joinery suites may vary

REVISION:	11
SCALE:	1:3 (@A4)
DATE:	2024
BRANZ APPRAISAL #487	



Ultraclad® UA 4533 Head Starter 5 mm diameter drainage holes drilled through base of Head Starter at 300 mm centres

IMPORTANT:
 Sizes shown are indicative only!
 Contractor to confirm onsite as
 joinery suites may vary

Applying sealant before fitting UA 4533 sealant at facade

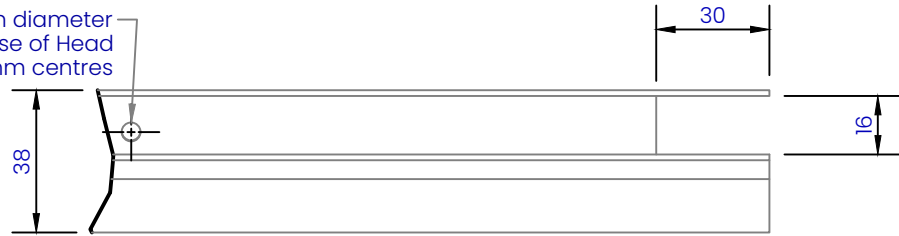
Note: Ultraclad®UA 4533 Head Starter to extend 40 mm past edge of window or door joinery.

Building underlay, flashing tape and UA 5833 omitted for clarity

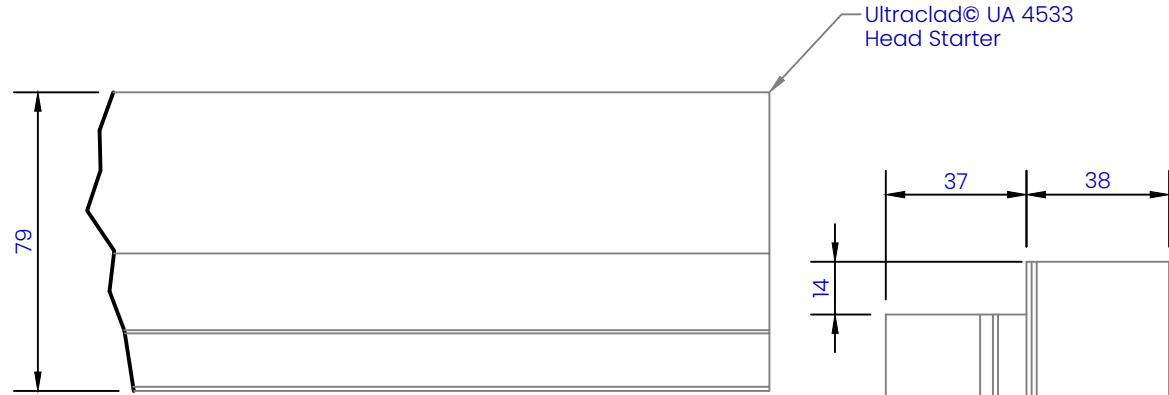
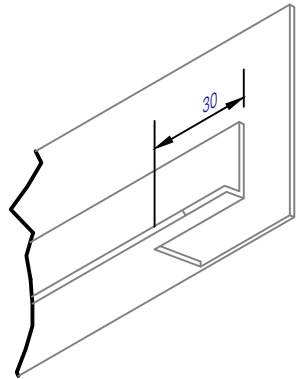
Ultraclad® UA 7584 Jamb Flashing

REVISION:	11
SCALE:	1 : 2 (@A4)
DATE:	2024
BRANZ APPRAISAL #487	

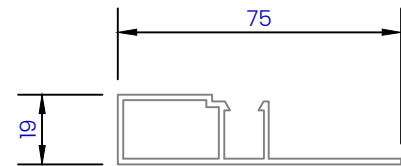
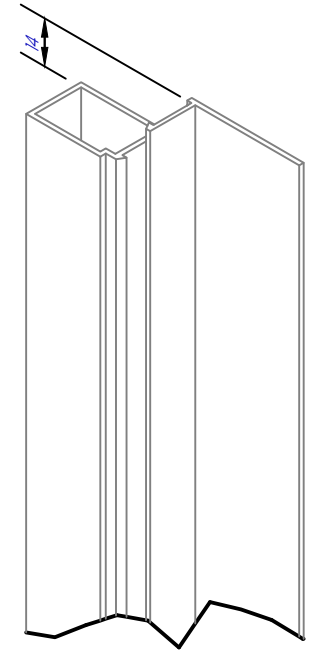
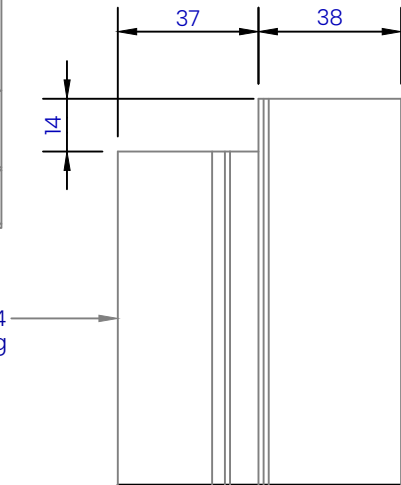
Ultraclad® UA 4533 Head Starter 5 mm diameter drainage holes drilled through base of Head Starter at 300 mm centres



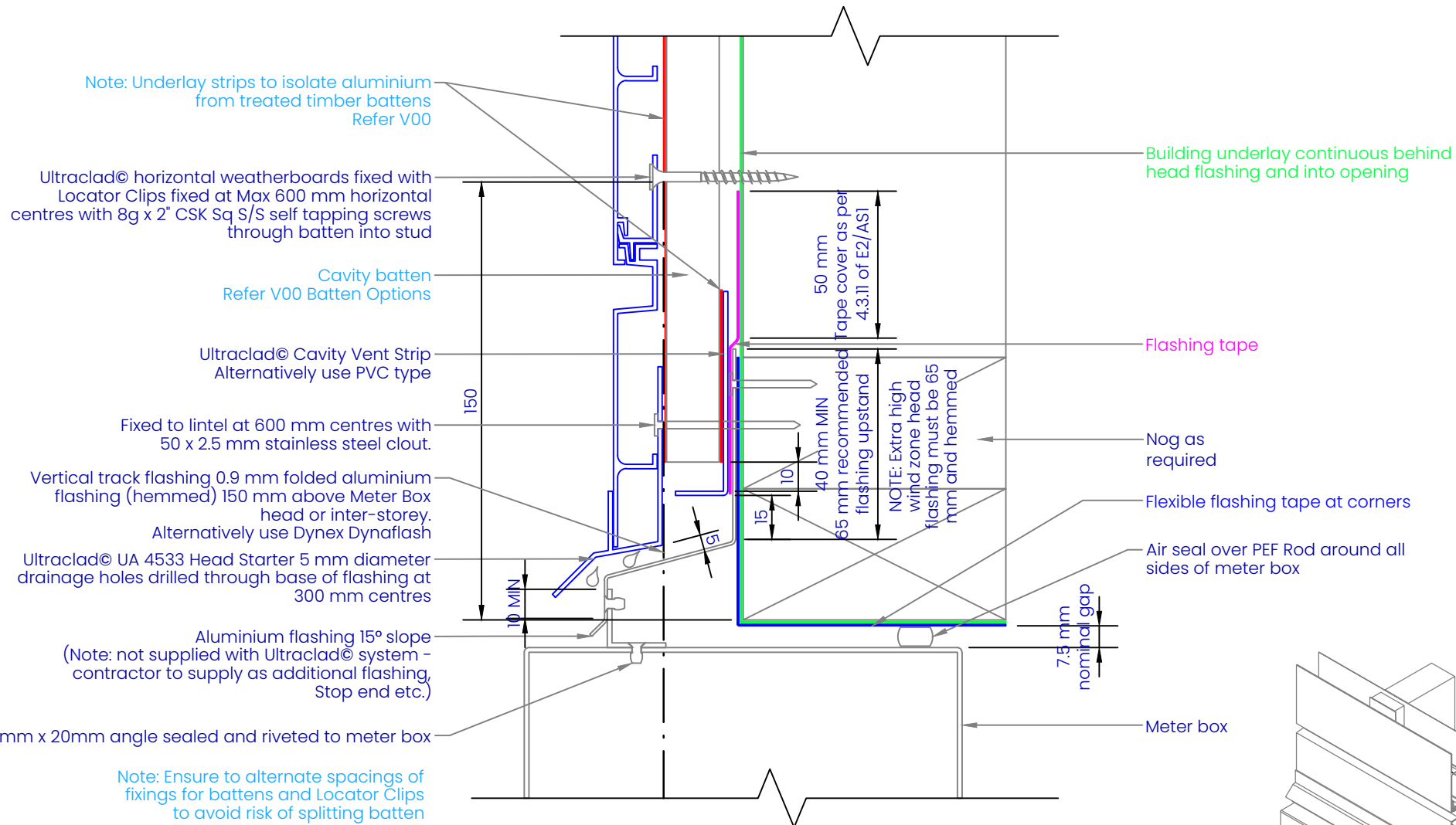
IMPORTANT:
 Sizes shown are indicative only!
 Contractor to confirm onsite as
 joinery suites may vary



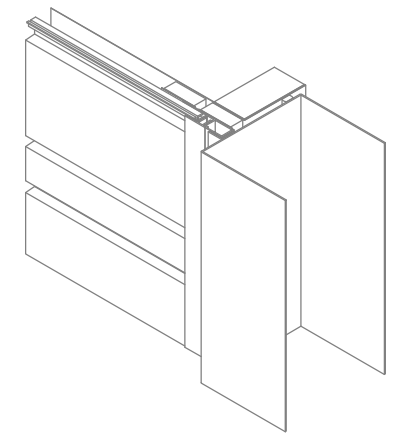
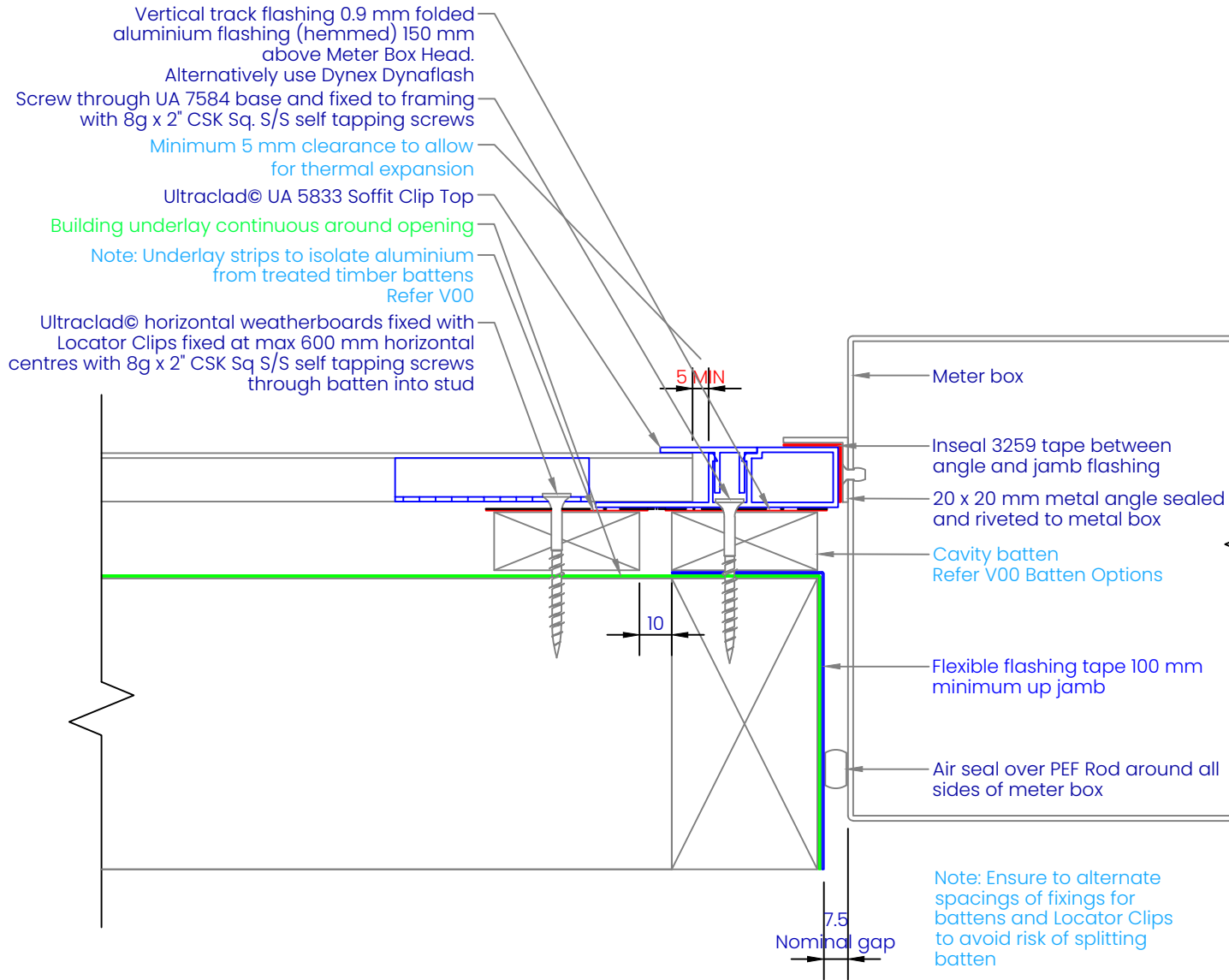
Ultraclad® UA 7584
 Jamb Flashing



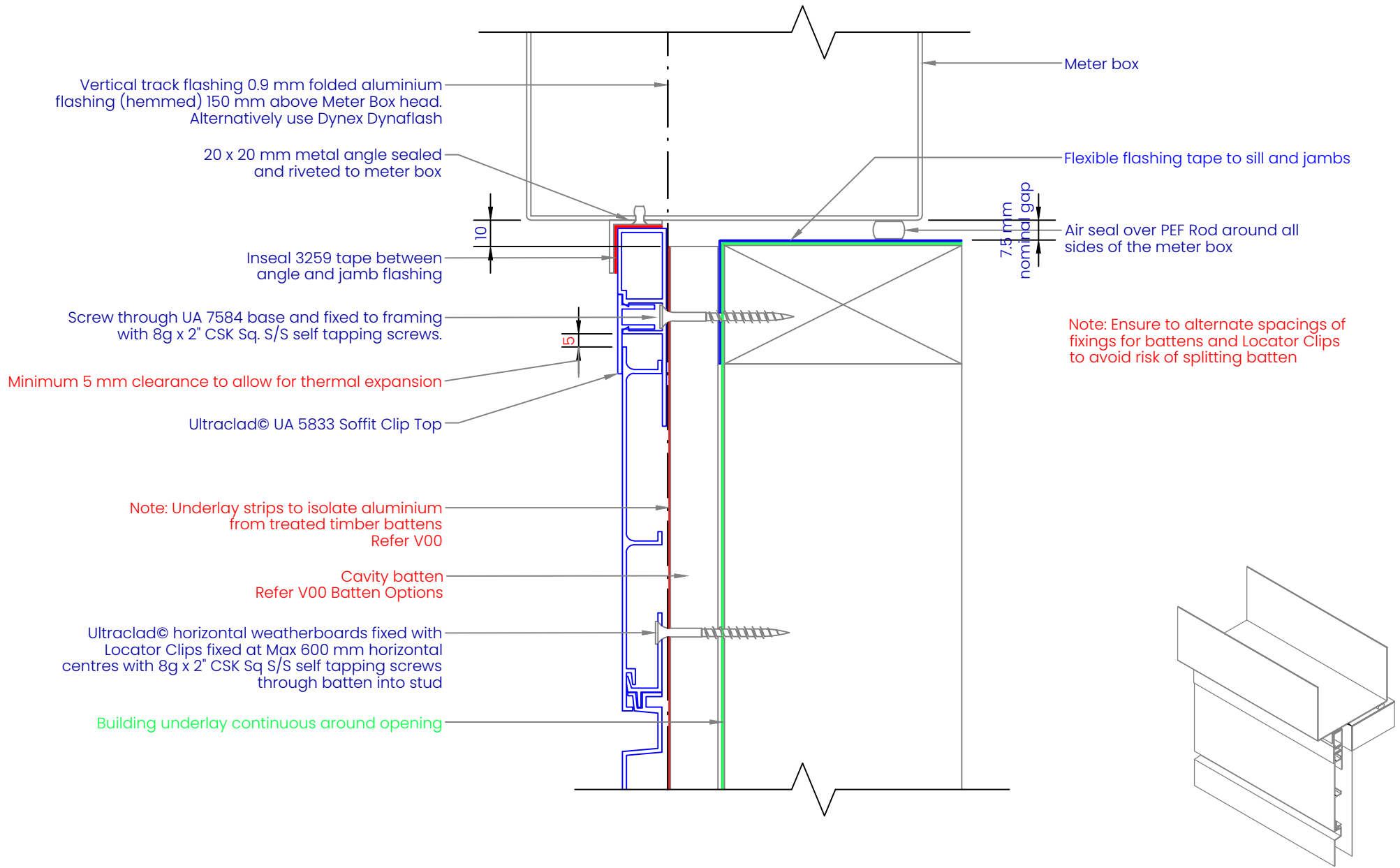
REVISION:	11
SCALE:	1 : 2 (@A4)
DATE:	2024
BRANZ APPRAISAL #487	



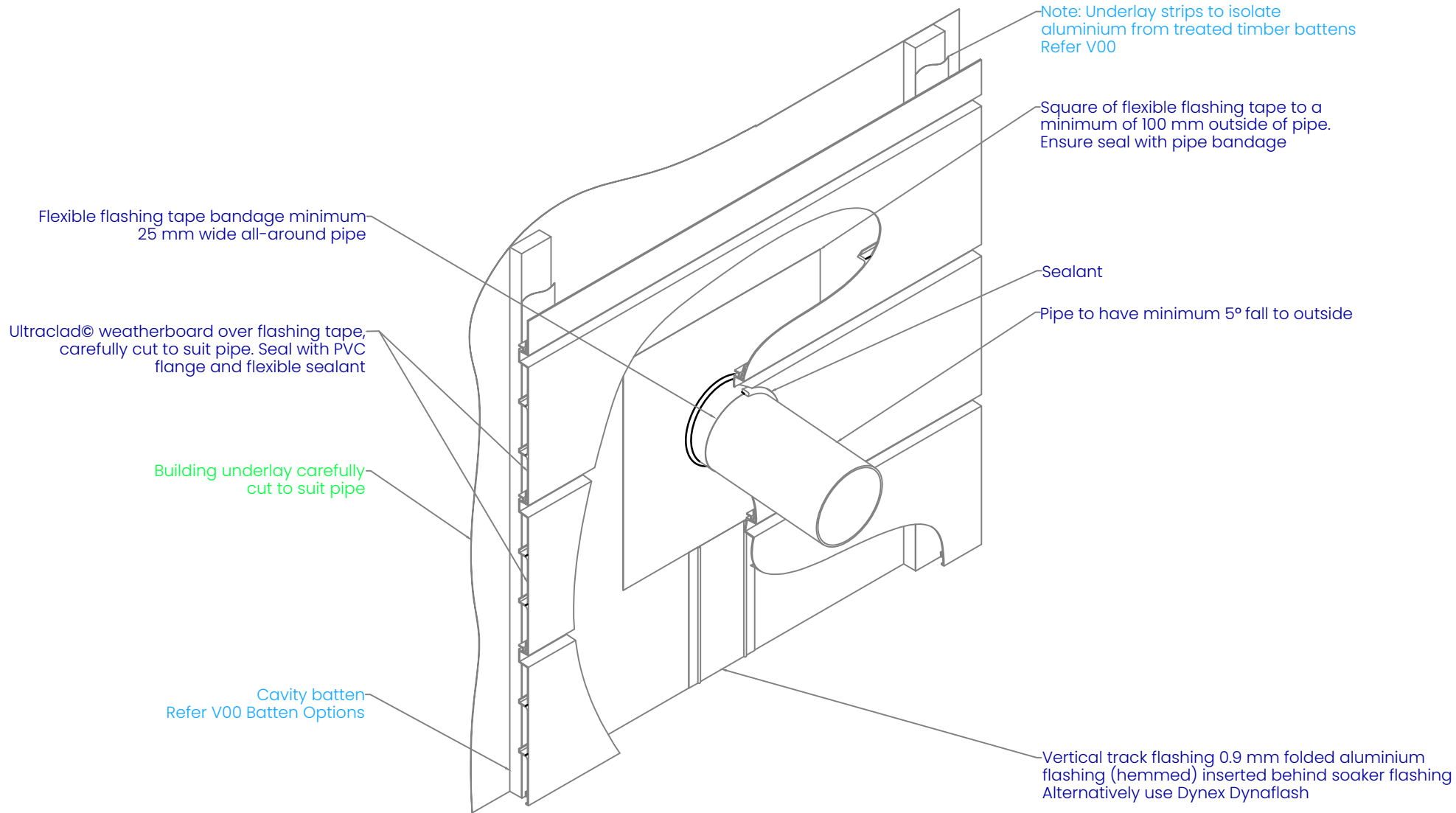
REVISION:	11
SCALE:	1 : 2 (@A4)
DATE:	2024
BRANZ APPRAISAL #487	



REVISION:	11
SCALE:	1 : 2 (@A4)
DATE:	2024
BRANZ APPRAISAL #487	



REVISION:	11
SCALE:	1 : 2 (@A4)
DATE:	2024
BRANZ APPRAISAL #487	



ULTRACLAD

Ultra-high performance cladding systems

PO Box 58009
Botany
Auckland 2163

Tel: 0800 500 338
Email: buildingsystems@vulcan.co
Web: buildingsystems.vulcan.co

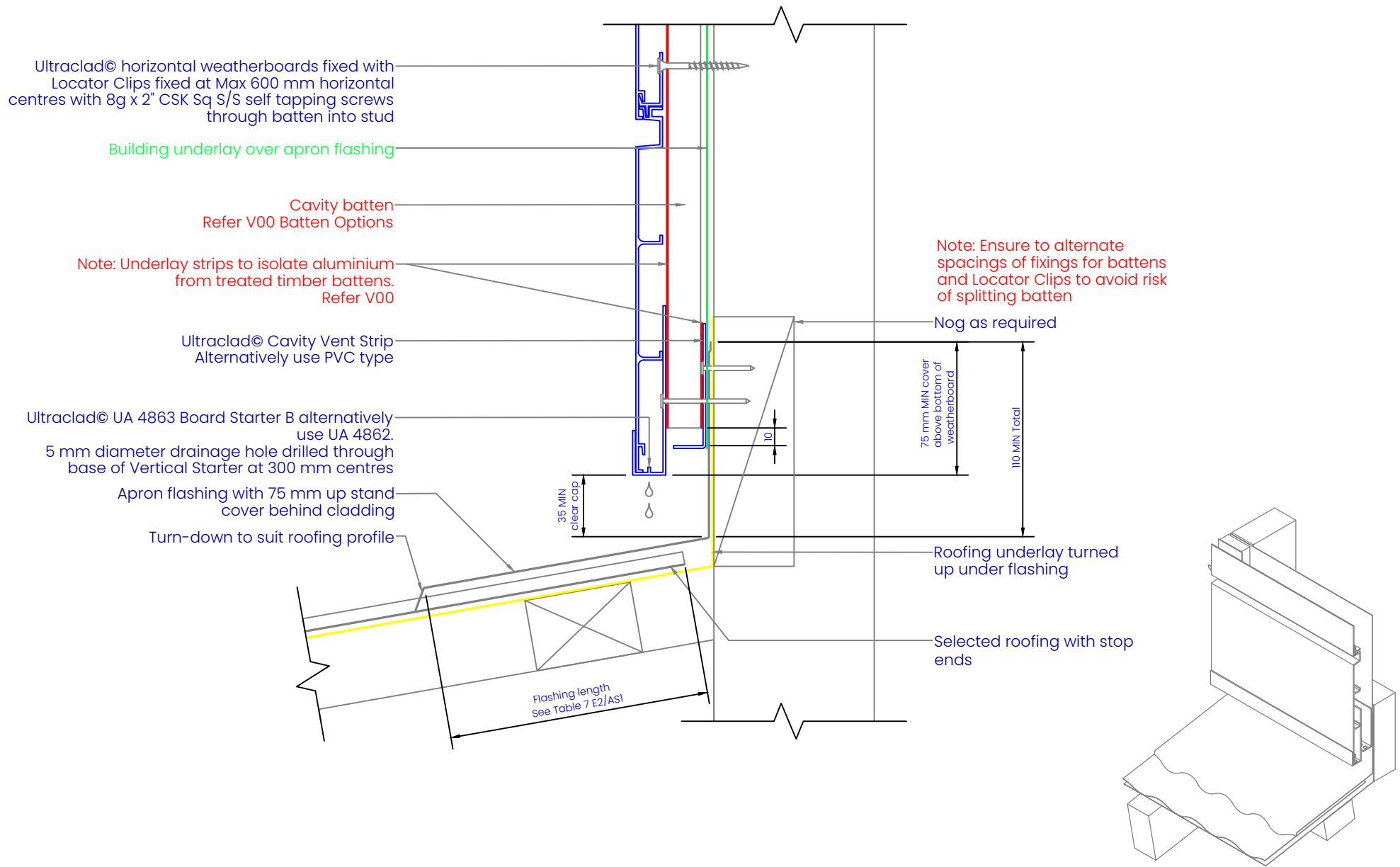
VULCAN.
© 2023 Vulcan. All rights reserved.

H19

PIPE PENETRATION ON CAVITY

Building Systems: Horizontal Weatherboard Cavity System

REVISION:	11
SCALE:	1 : 6 (@A4)
DATE:	2024
BRANZ APPRAISAL #487	



Ultraclad® horizontal weatherboards fixed with Locator Clips fixed at Max 600 mm horizontal centres with 8g x 2" CSK Sq S/S self tapping screws through batten into stud

Building underlay over apron flashing

Cavity batten
Refer V00 Batten Options

Note: Underlay strips to isolate aluminium from treated timber battens.
Refer V00

Ultraclad® Cavity Vent Strip
Alternatively use PVC type

Ultraclad® UA 4863 Board Starter B alternatively use UA 4862.
5 mm diameter drainage hole drilled through base of Vertical Starter at 300 mm centres

Apron flashing with 75 mm up stand cover behind cladding

Turn-down to suit roofing profile

Note: Ensure to alternate spacings of fixings for battens and Locator Clips to avoid risk of splitting batten

Nog as required

75 mm MIN cover above bottom of weatherboard

110 MIN Total

35 MIN clear cap

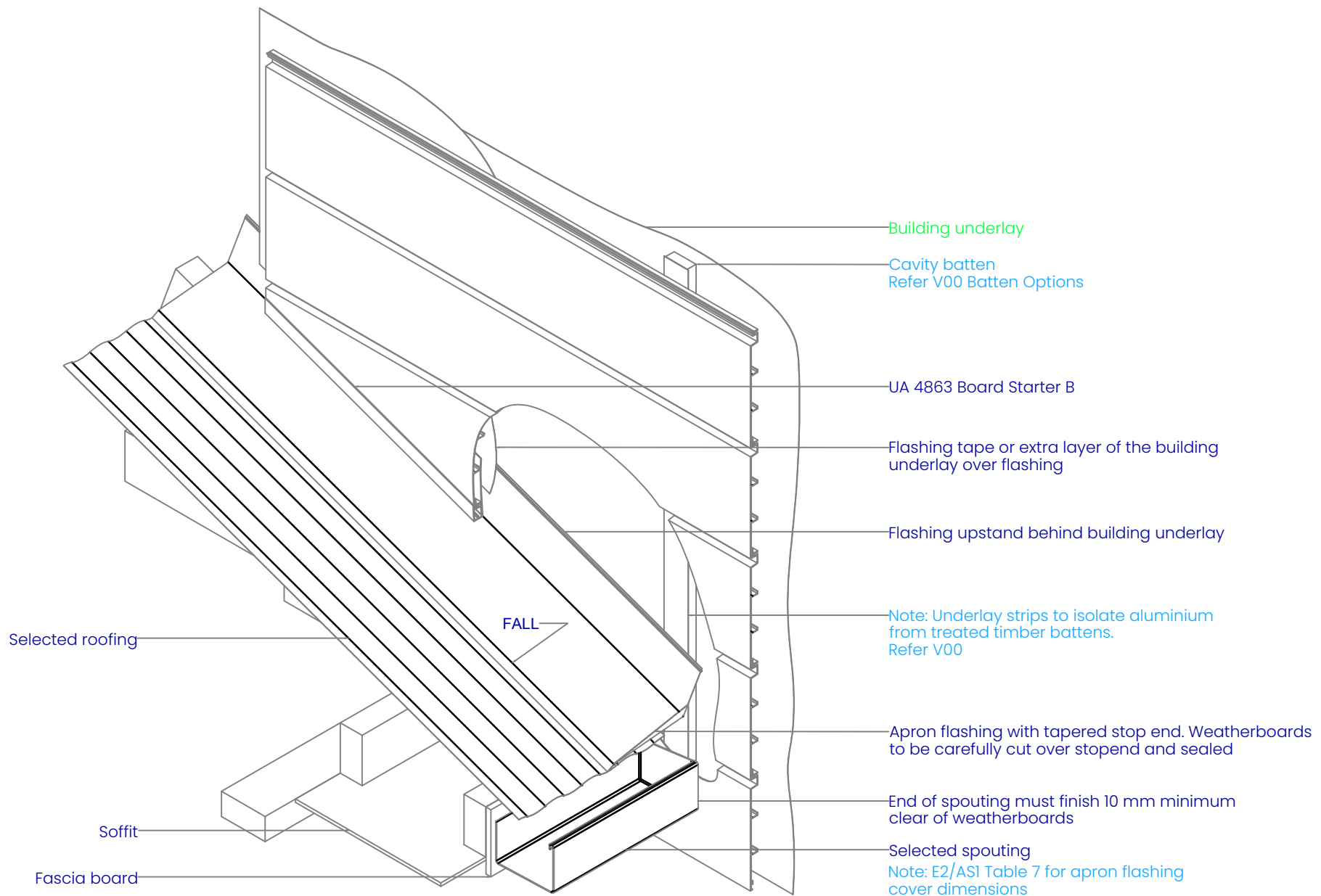
10

Roofing underlay turned up under flashing

Selected roofing with stop ends

Flashing length
See Table 7 E2/AS1

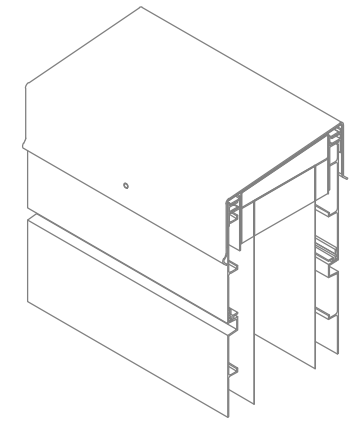
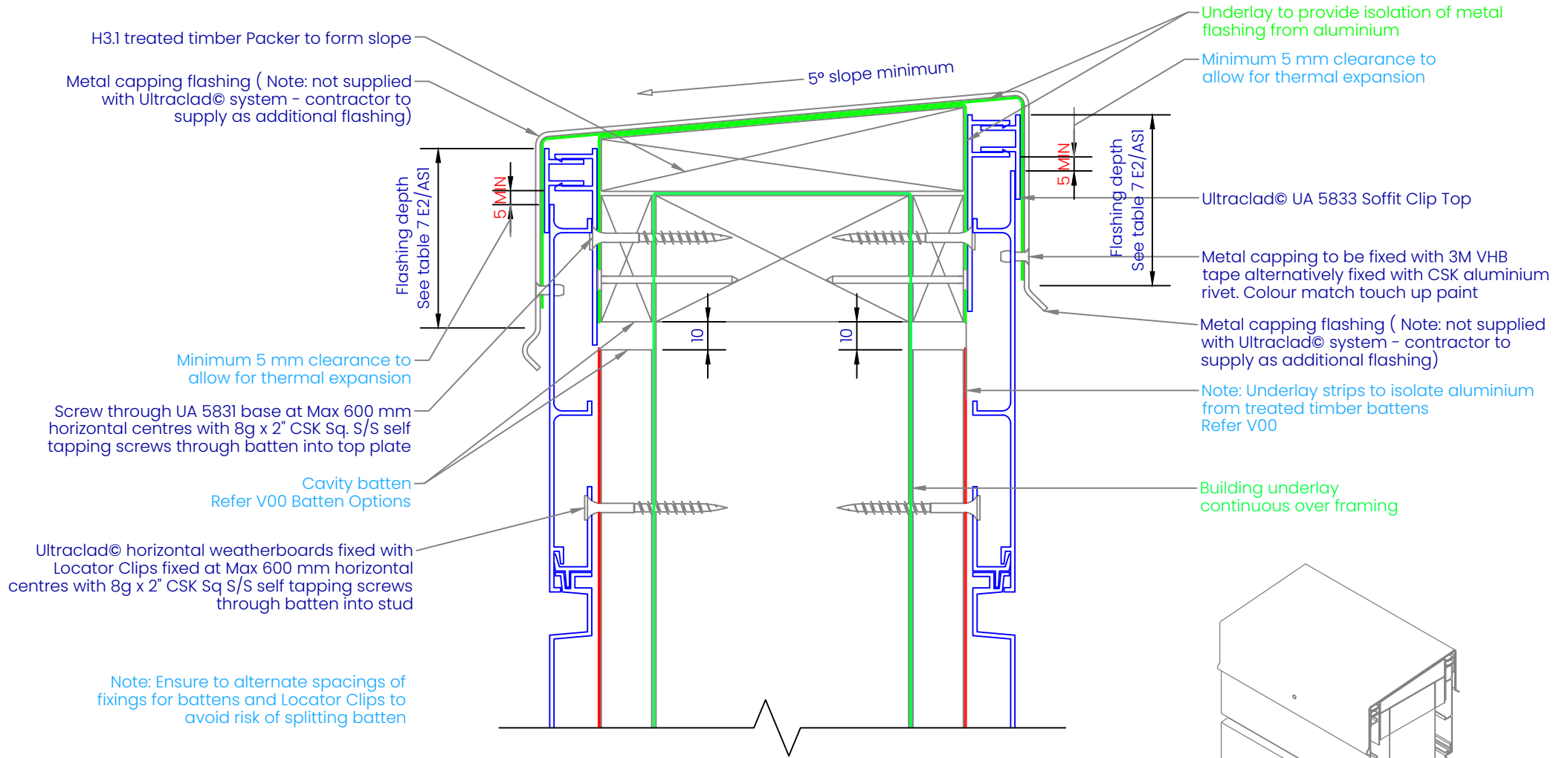
REVISION:	11
SCALE:	1 : 3 (@A4)
DATE:	2024
BRANZ APPRAISAL #487	

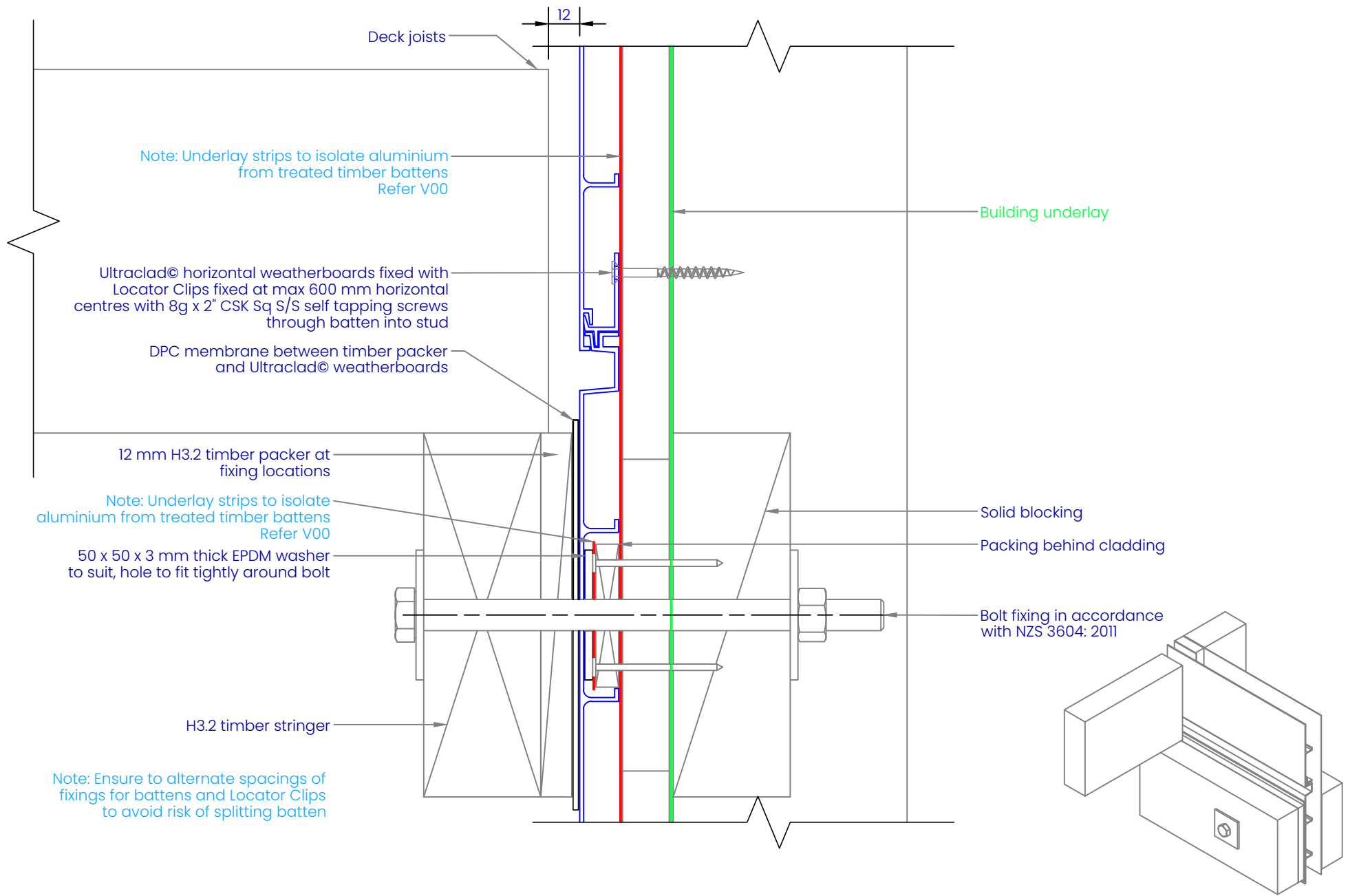


H21
GUTTER WALL JUNCTION ON CAVITY

Building Systems: Horizontal Weatherboard Cavity System

REVISION:	11
SCALE:	1 : 8 (@A4)
DATE:	2024
BRANZ APPRAISAL #487	





Note: Ensure to alternate spacings of fixings for battens and Locator Clips to avoid risk of splitting batten

Ultraclad® horizontal weatherboards fixed with Locator Clips fixed at max 600 mm horizontal centres with 8g x 2" CSK Sq S/S self tapping screws through batten into stud

Building underlay

Note: Underlay strips to isolate aluminium from treated timber battens Refer V00

Flashing tape

Ultraclad® UA 4862 Board Starter A or alternatively use UA 4863 fixed to bottom plate with 50 x 2.5 mm clouts at 600 mm centres

Ultraclad® UA 7919 Inter-Storey Flashing

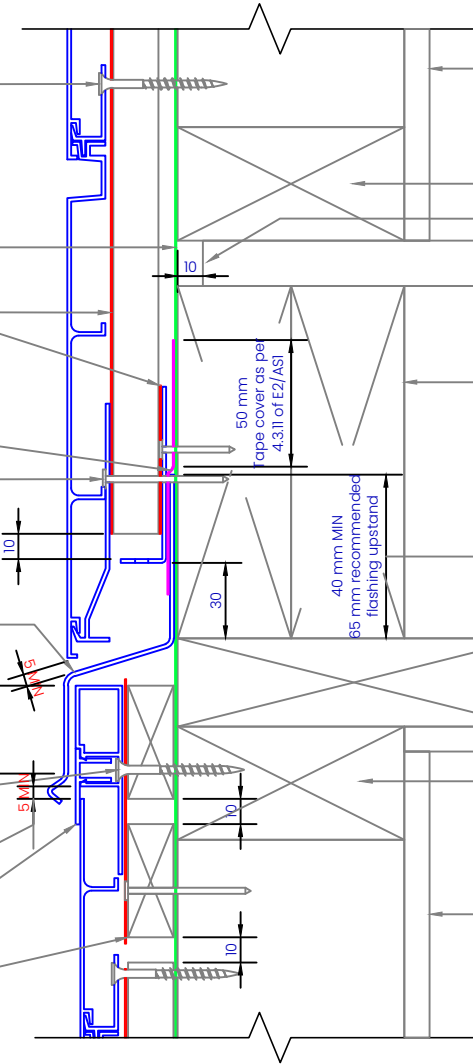
Screw through UA 7584 base at Max 600 mm horizontal centres with 8g x 2" CSK Sq. S/S self tapping screws through batten into frame

Minimum 5 mm clearance to allow for thermal expansion

Ultraclad® UA 5833 Soffit Clip Top

Cavity batten Refer V00 Batten Options

Note: this detail is required to limit cavities to 2 storeys or 7 m Max - Refer E2/AS1 clause 9.1.9.4



Interior lining

Bottom plate

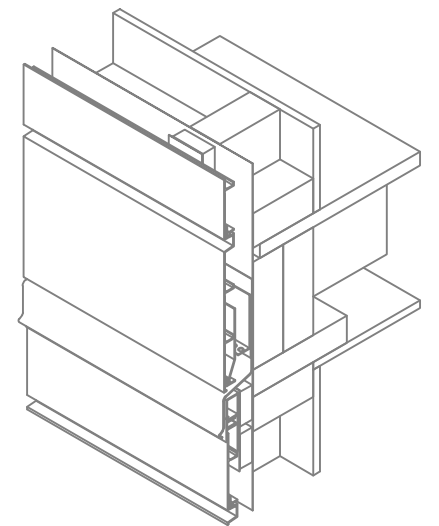
Flooring to finish 10 mm back from outside framing

Continuous boundary joists

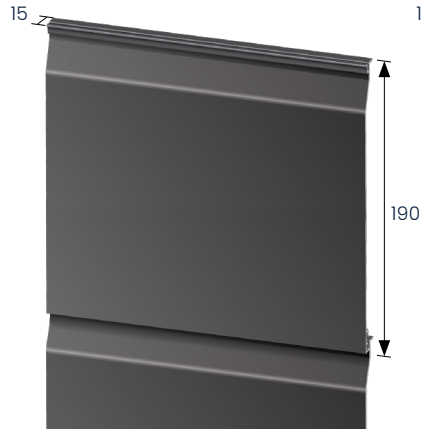
For low to very-high wind zones the 'Z' flashing must have a 40 mm upstand and overlap the weatherboard face below by 35 mm. For extra-high wind zones the 'Z' flashing must have 65 mm upstand and overlap the weatherboard face below by 60 mm.

Top plate

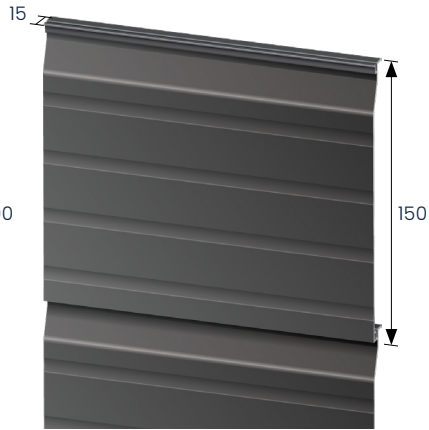
Interior lining



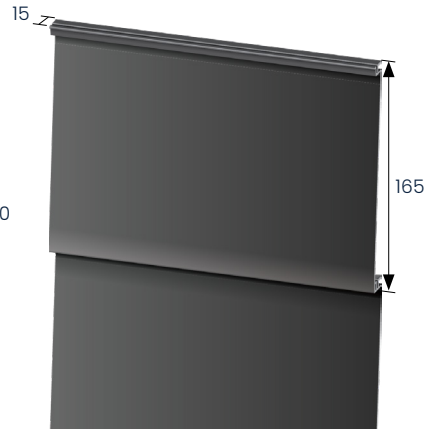
REVISION:	11
SCALE:	1 : 3 (@A4)
DATE:	2024
BRANZ APPRAISAL #487	



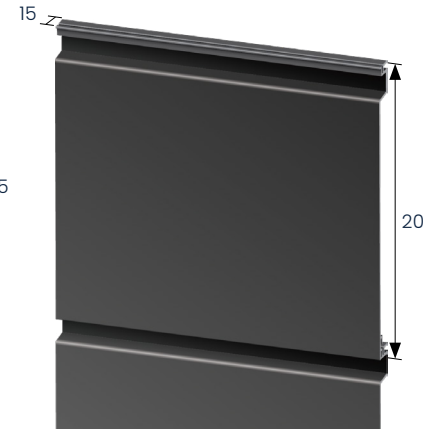
UA 4528 H Standard Board



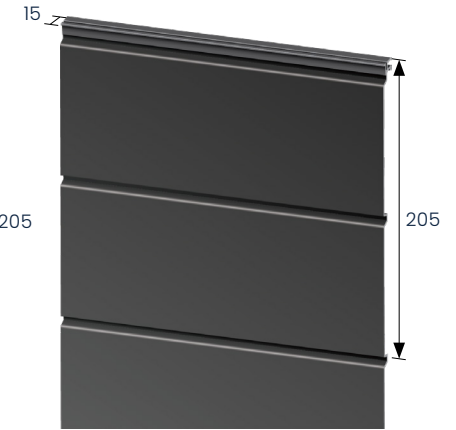
UA 4917 H Tee Board
*only available by special order



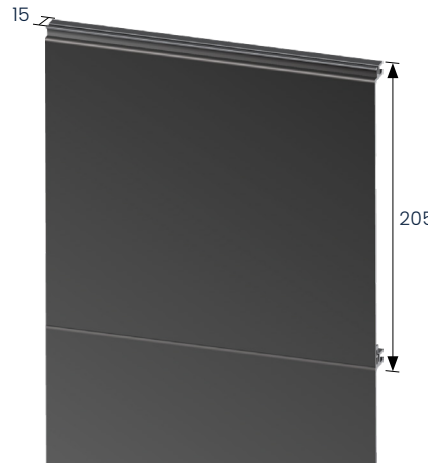
UA 5059 H Traditional Board



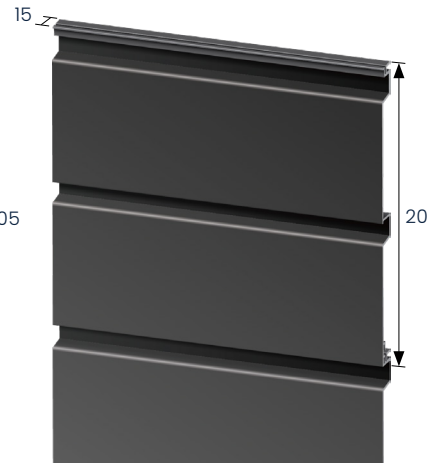
UA 6975 H Shadoline Board



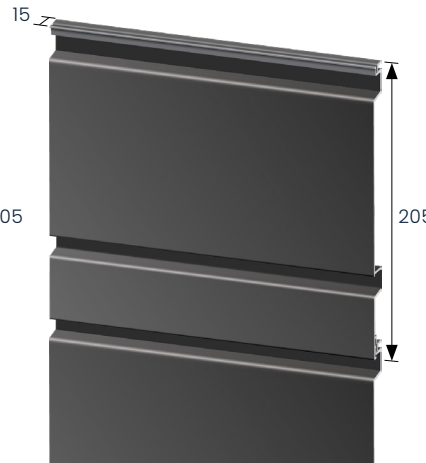
UA 7923 H UltraLine Board



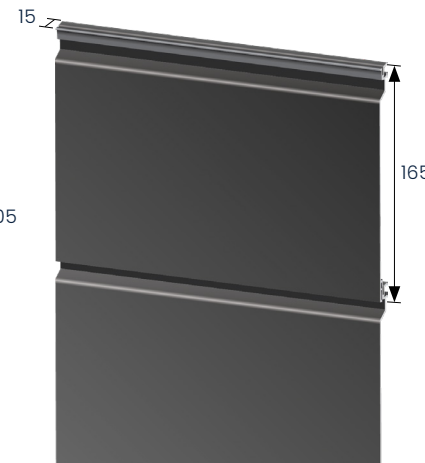
UA 7401 H Infinity Board



UA 7726 H Shado 100 Board



UA 7868 H Shado 140 Board



UA 7922 H Shiplap Board

"Please note that our extrusion profiles may vary slightly in measurements due to the manufacturing process. While we strive for consistency, minor deviations may occur. Additionally, we reserve the right to make improvements or modifications to our products in order to enhance quality or functionality."

ULTRACLAD
Ultra-high performance cladding systems

PO Box 58009
Botany
Auckland 2163

Tel: 0800 500 338
Email: buildingsystems@vulcan.co
Web: buildingsystems.vulcan.co

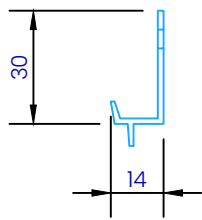
VULCAN.
© 2023 Vulcan. All rights reserved.

H25 PROFILES

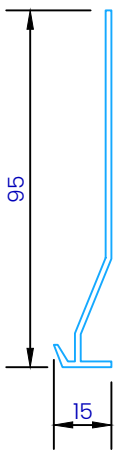
Building Systems: Horizontal Weatherboard Cavity System

REVISION:	11
SCALE:	1 : 2 (@A4)
DATE:	2024
BRANZ APPRAISAL #487	

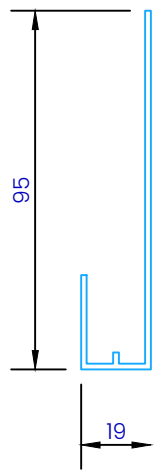
UA 4535
Locator Clip



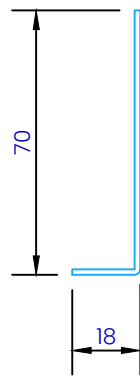
UA 4862
Board Starter A



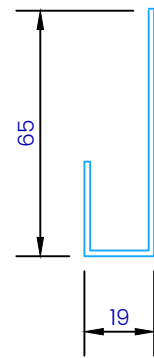
UA 4863
Board Starter B



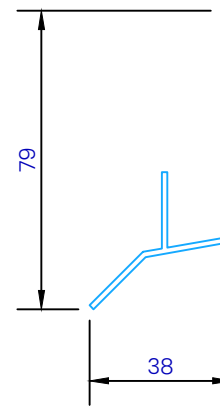
Cavity
Vent Strip



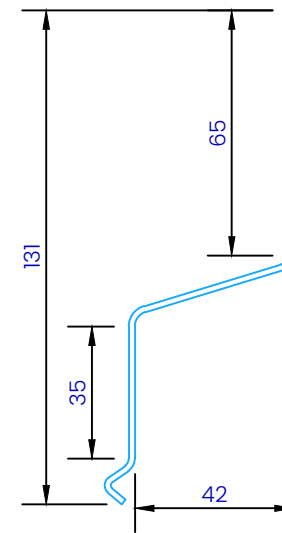
UA 4532
J Moulding



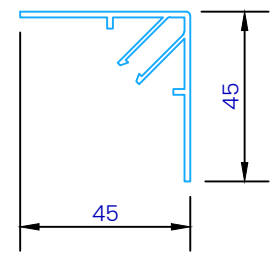
UA 4533
Head Starter



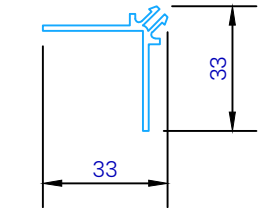
UA 7919
Inter - Storey Flashing



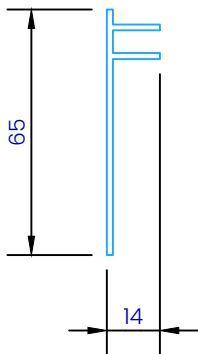
UA 7094
Female Flat Corner



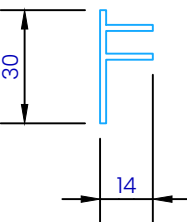
UA 7095
Male Flat Corner



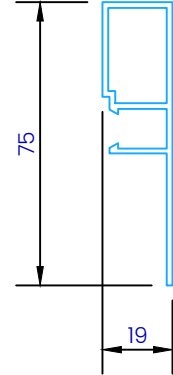
UA 5832
Soffit 65mm Clip Top



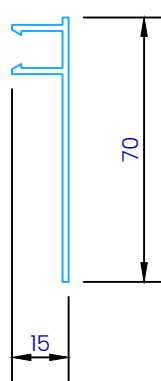
UA 5833
Soffit 30mm Clip Top



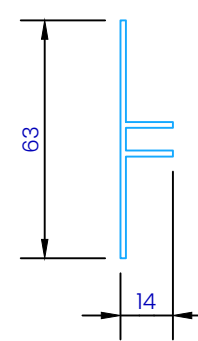
UA 7584
Jamb/Sill Clip Base



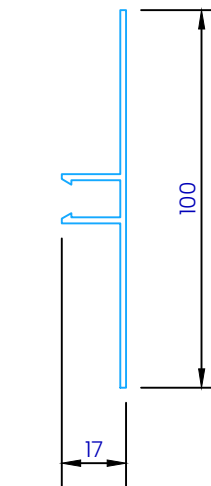
UA 5831
Soffit Clip Base



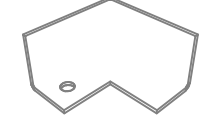
UA 7096
Flat Jointer Top



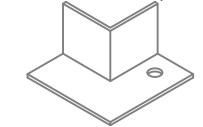
UA 6324
2 Piece Jointer Base



CLADCNRAPE
External Corner Cap (1 : 3)



CLADCNRCAPI
Internal Corner Cap (1 : 3)



CLADSTAKECNR
Plastic Staking Corner (1 : 3)



REVISION:	11
SCALE:	1 : 2 (@A4)
DATE:	2024
BRANZ APPRAISAL #487	