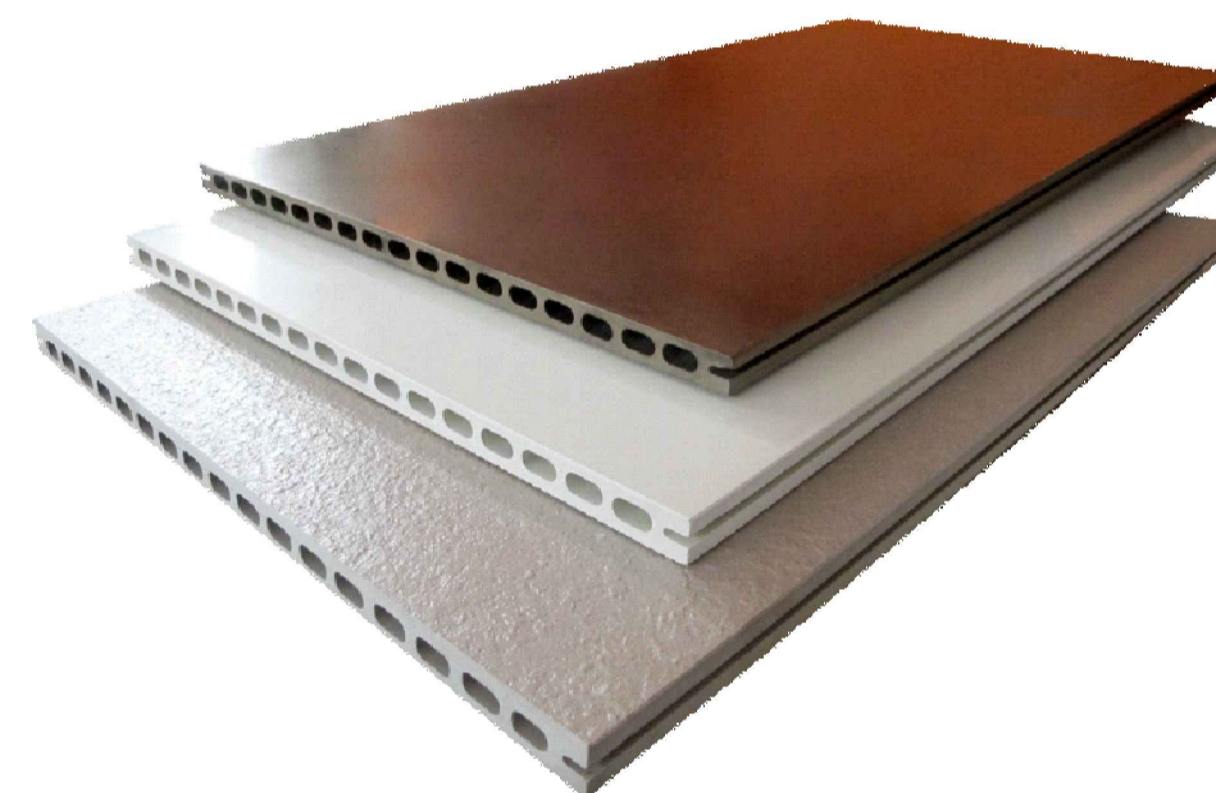


frontek  
cerámica tecnológica en fachadas



## 92 MM STUD WALL INSTALLATION HORIZONTAL CONFIGURATION

---

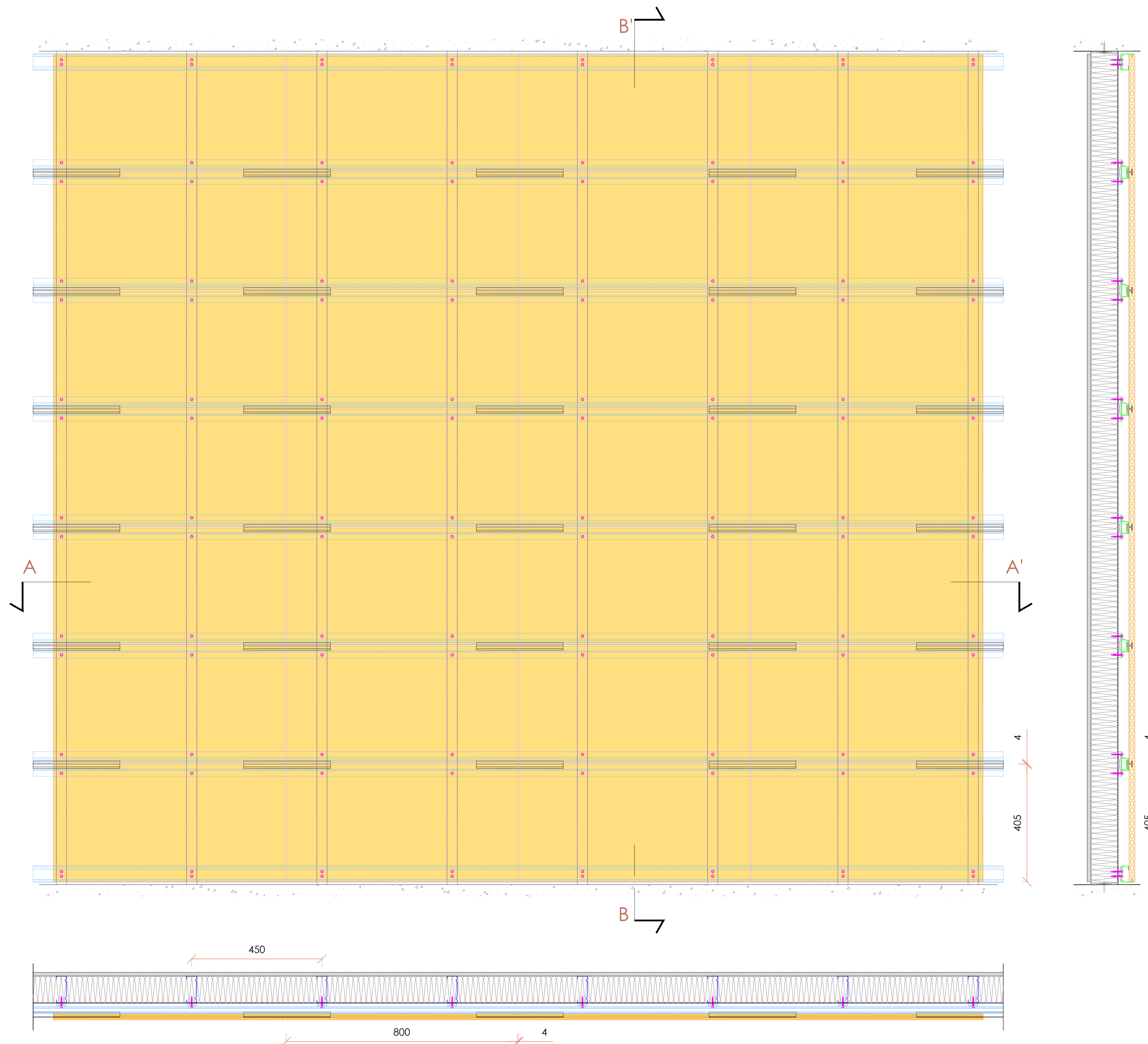
FRONTEK AUSTRALIA PTY LTD.

[www.frontek.com.au](http://www.frontek.com.au)

+61 2 9316 6818

# Horizontal Configuration STUD WALL

STANDARD MODULE



FOR INFORMATION

## COPYRIGHT

These designs, details and/or specifications and the Copyright Therein, remain the property of

**Frontek Australia.**

and shall not be divulged in any form whatsoever without written permission of

**Frontek Australia.**

All fixings sizes and types to be engineered by constructors

DRAWING DESCRIPTION  
STANDARD MODULE

FACADE TYPE  
92 MM STUD WALL

FRONTEK SYSTEM  
HORIZONTAL CONFIGURATION

DRAWN BY  
BEATRIZ QUINTANA

FIRST DRAWN DATE 16/05/2018

REVIEWED BY  
-

SCALE 1/150 SIZE A3

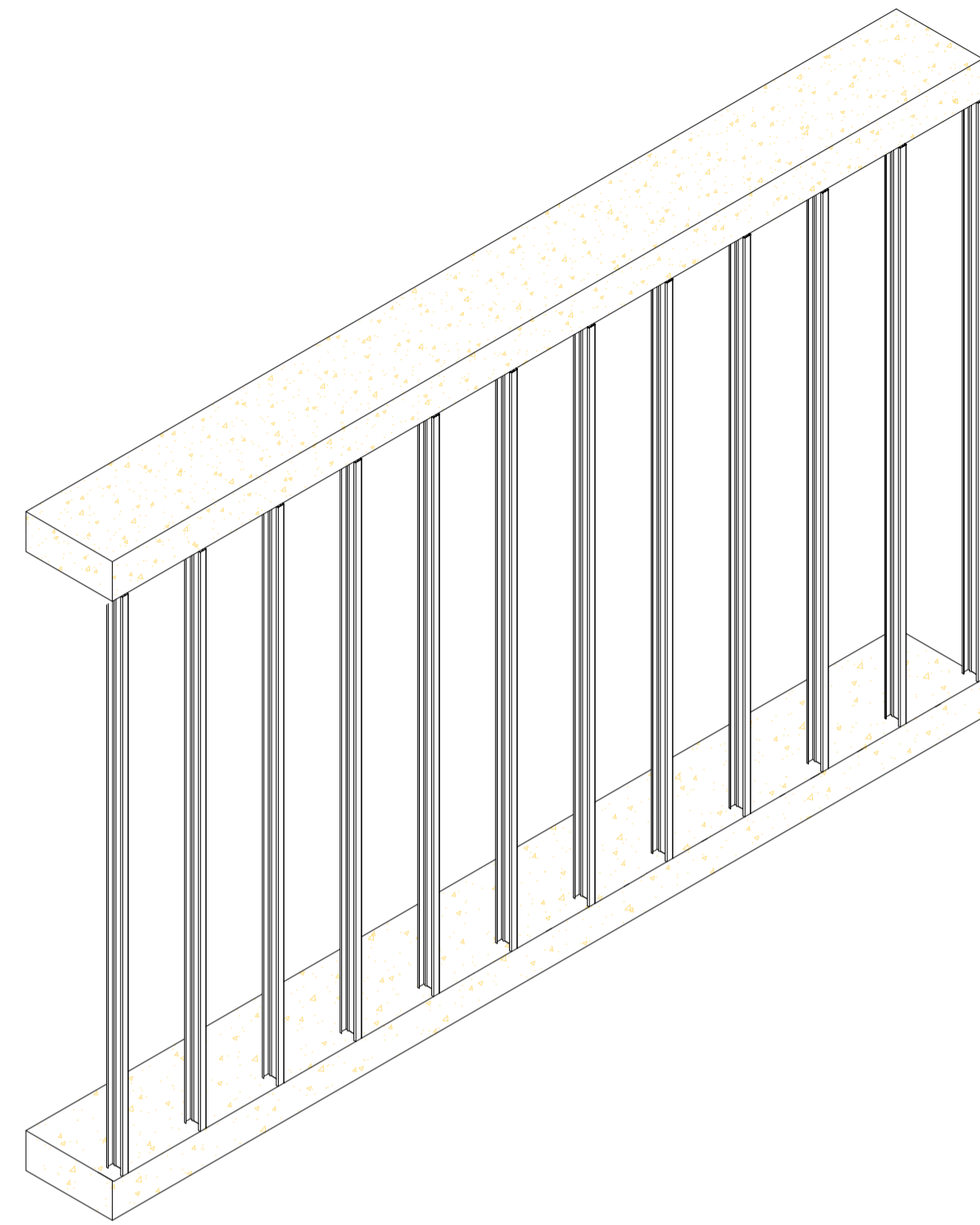
DRAWING NO. V100

**frontek**  
cerámica tecnológica en fachadas

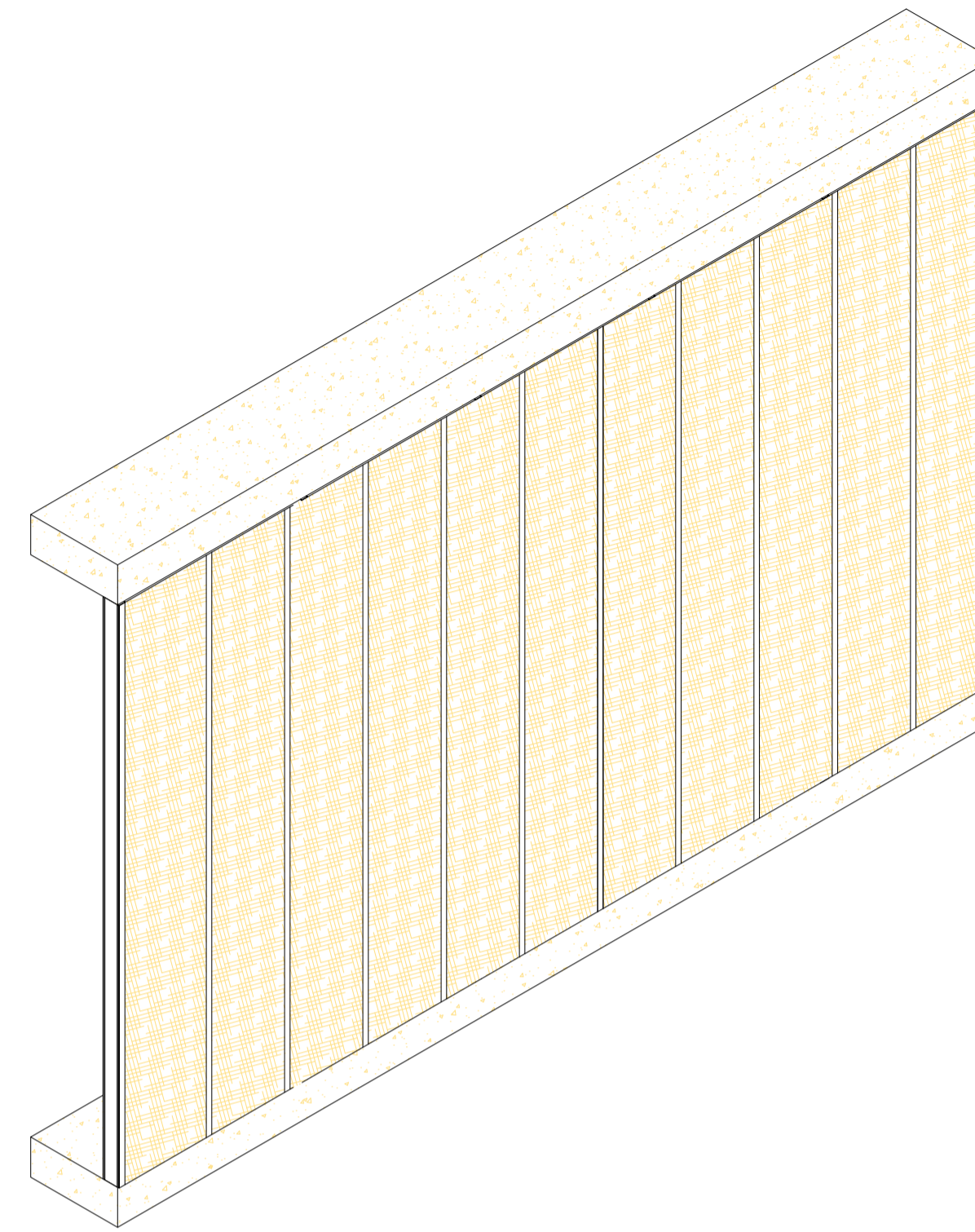
FRONTEK AUSTRALIA PTY LTD.  
www.frontek.com.au  
+61 2 9316 6818

# Horizontal Configuration STUD WALL

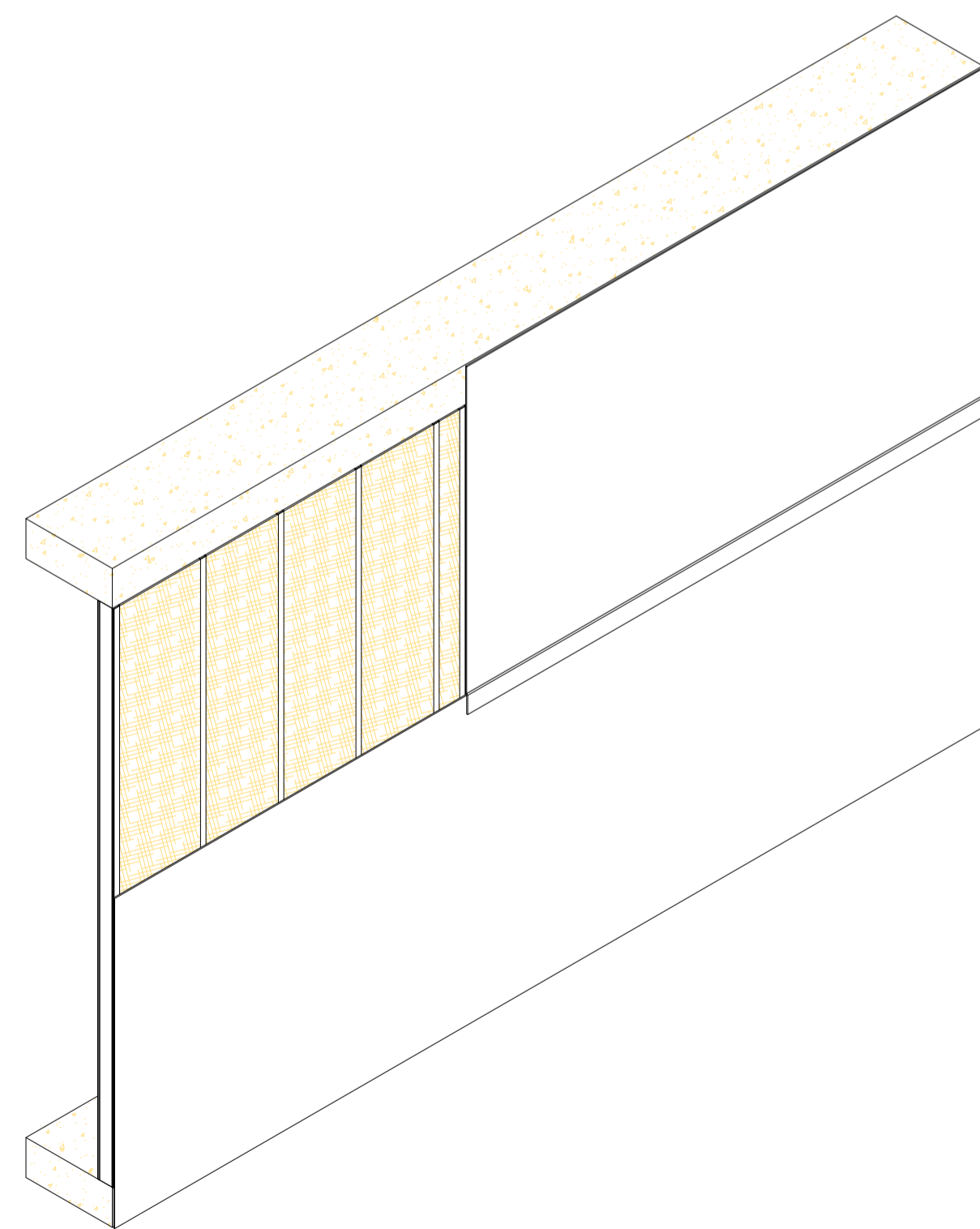
## ASSEMBLING PROCESS



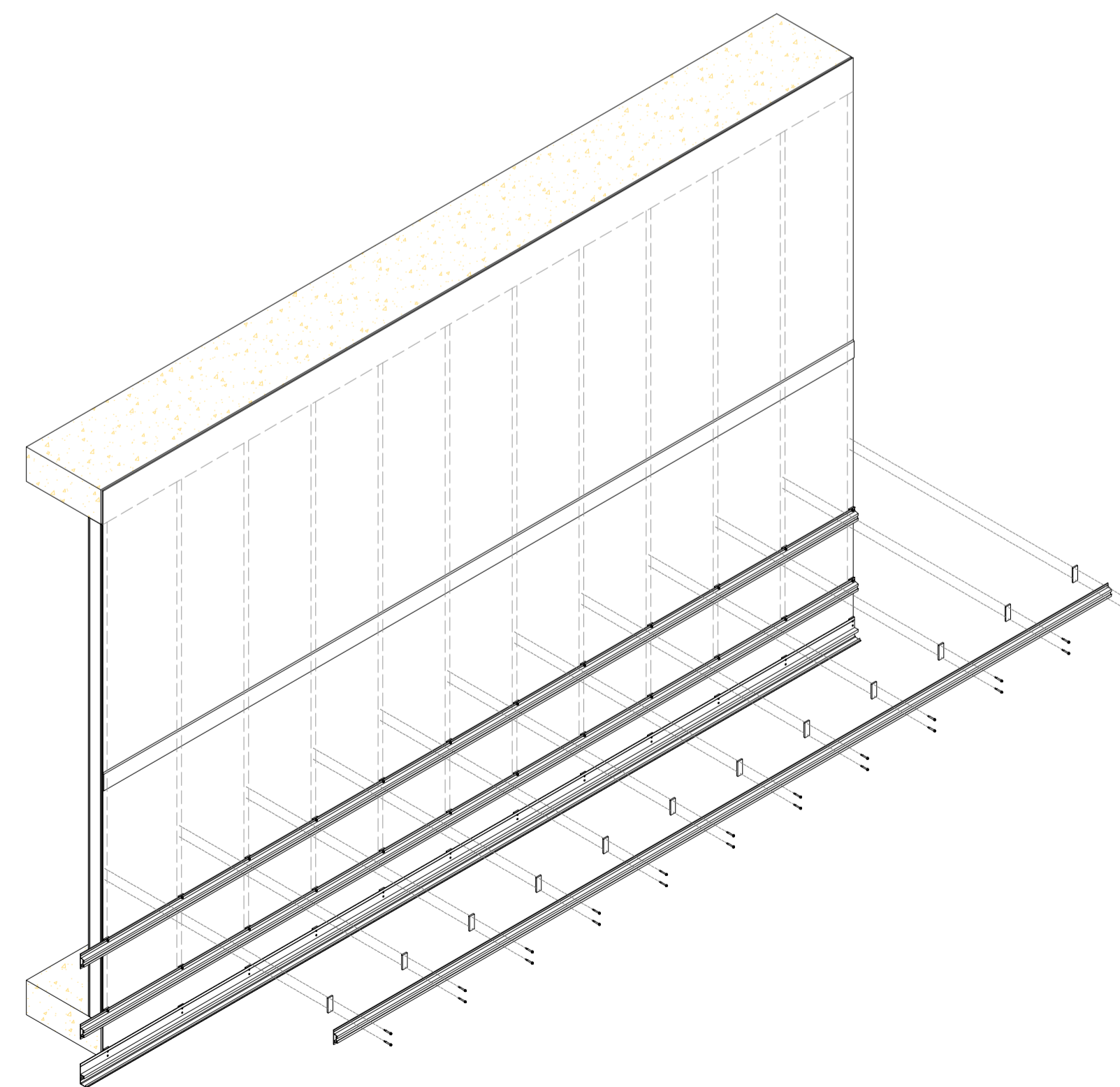
1. WALL STUDS



2. WALL INSULATION



3. ENGINEERED BACKPAN



4. FRONTEK FT04-01 [1] HORIZONTAL INSTALLATION RAIL

FOR INFORMATION

### **COPYRIGHT**

These designs, details and/or specifications and the Copyright Therein, remain the property of

**Frontek Australia.**

and shall not be divulged in any form whatsoever without written permission of

**Frontek Australia.**

All fixings sizes and types to be engineered by constructors

DRAWING DESCRIPTION  
ASSEMBLING PROCESS

FACADE TYPE  
92 MM STUD WALL

FRONTEK SYSTEM  
HORIZONTAL CONFIGURATION

DRAWN BY  
BEATRIZ QUINTANA

FIRST DRAWN DATE 16/05/2018

REVIEWED BY  
-

SCALE 1/20 SIZE A3

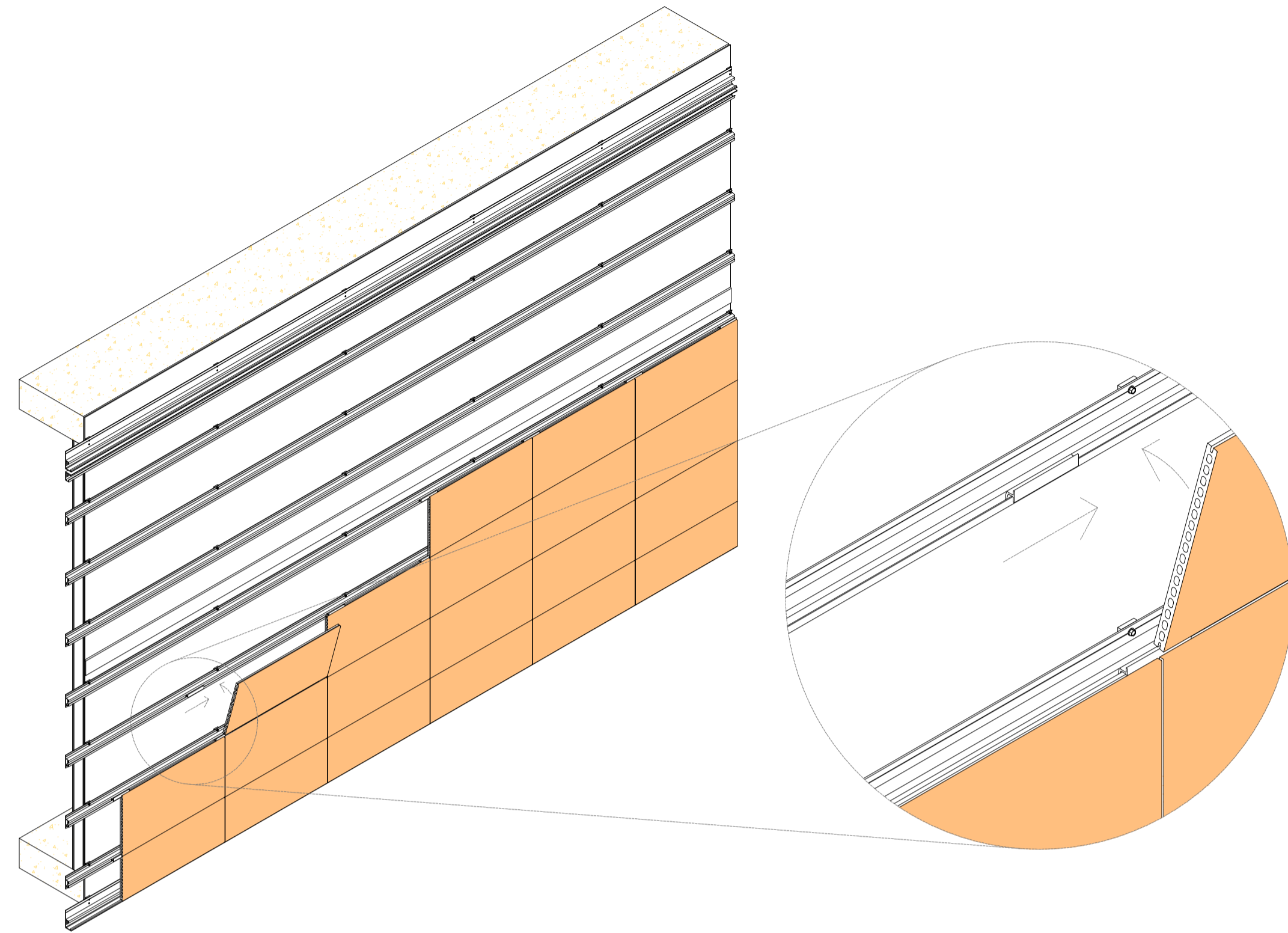
DRAWING NO. V101

**frontek**  
cerámica tecnológica en fachadas

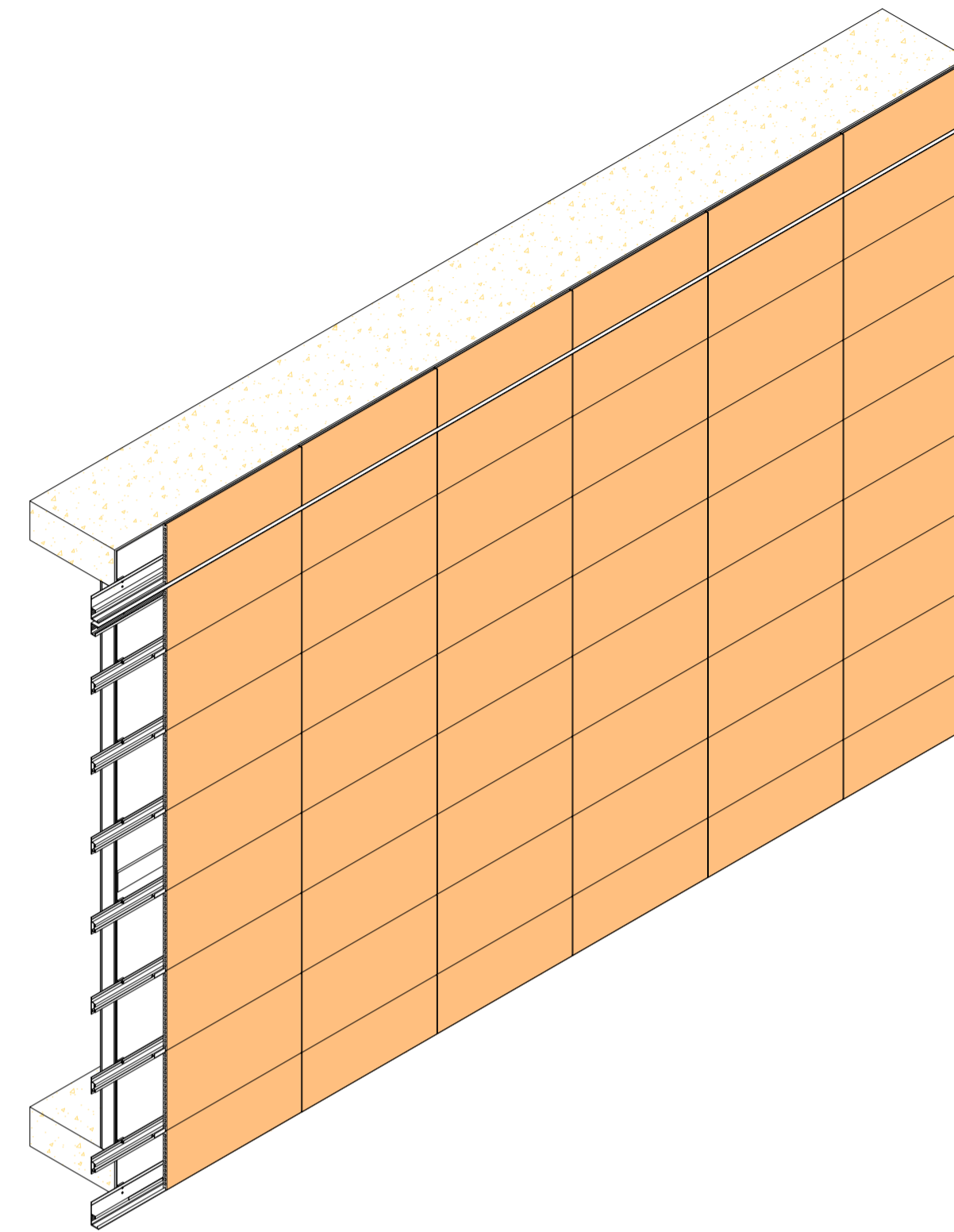
FRONTEK AUSTRALIA PTY LTD.  
www.frontek.com.au  
+61 2 9316 6818

# Horizontal Configuration STUD WALL

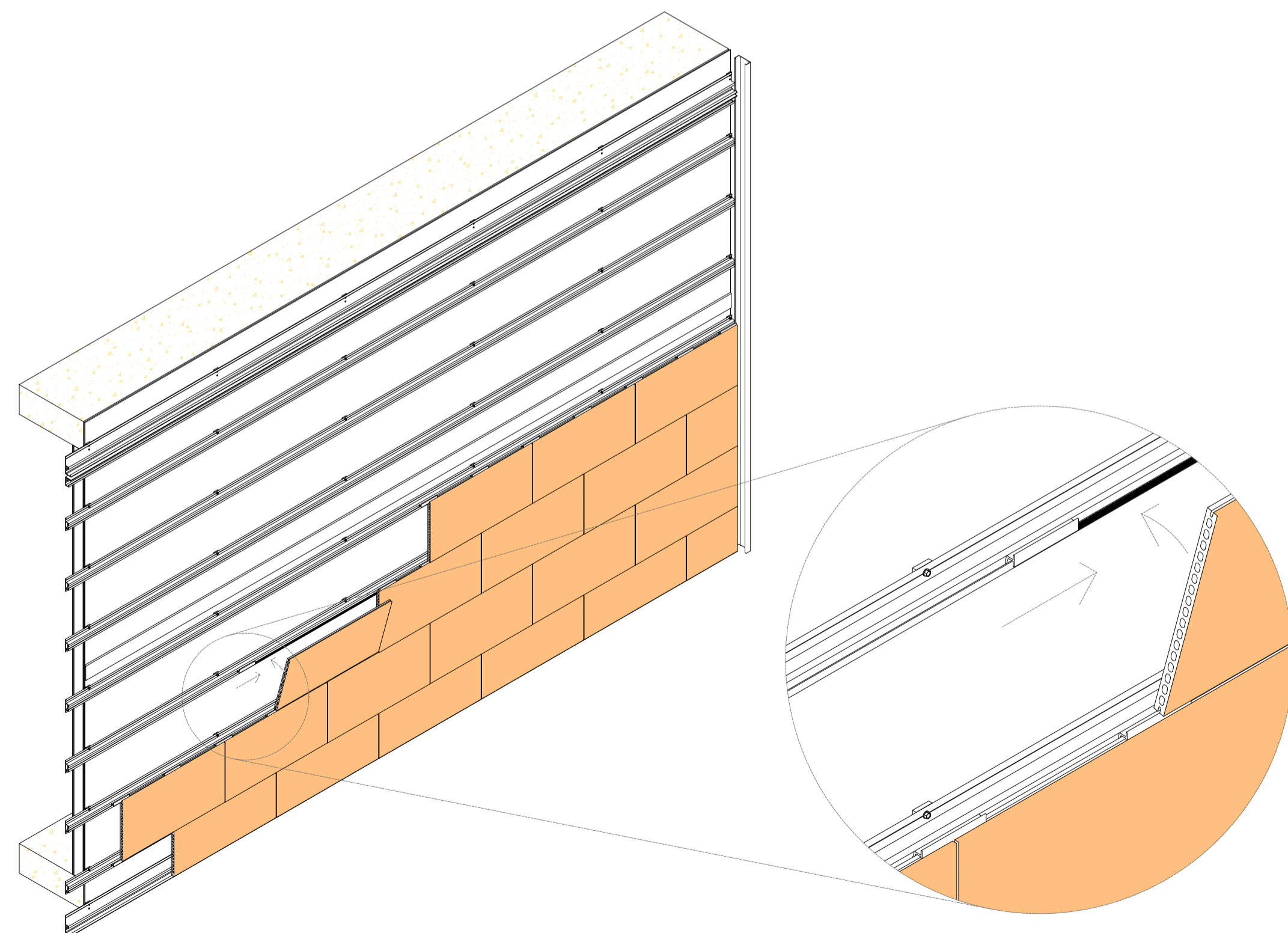
## ASSEMBLING PROCESS



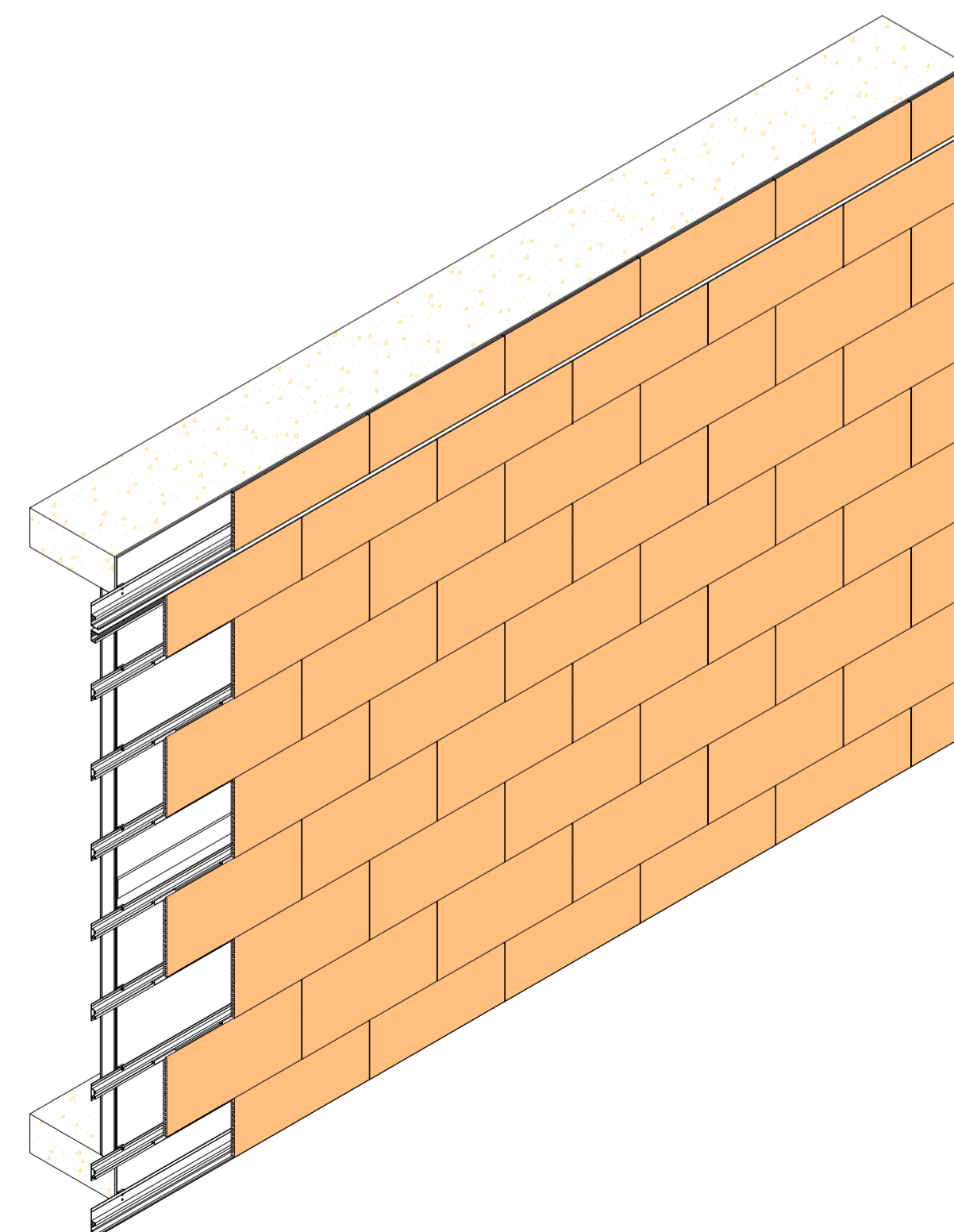
5A. HORIZONTAL NET PATTERN CONFIGURATION: FT01-02 [1] CLIPS AND GLUE LINE



6A. HORIZONTAL NET PATTERN CONFIGURATION



5B. HORIZONTAL BRICK PATTERN CONFIGURATION: FT01-02 [1] CLIPS AND GLUE LINE



6B. HORIZONTAL BRICK PATTERN CONFIGURATION

FOR INFORMATION

### COPYRIGHT

These designs, details and/or specifications and the Copyright Therein, remain the property of

**Frontek Australia.**

and shall not be divulged in any form whatsoever without written permission of

**Frontek Australia.**

All fixings sizes and types to be engineered by constructors

DRAWING DESCRIPTION  
ASSEMBLING PROCESS

FACADE TYPE  
92 MM STUD WALL

FRONTEK SYSTEM  
HORIZONTAL CONFIGURATION

DRAWN BY  
BEATRIZ QUINTANA

FIRST DRAWN DATE 16/05/2018

REVIEWED BY  
-

SCALE 1/20 SIZE A3

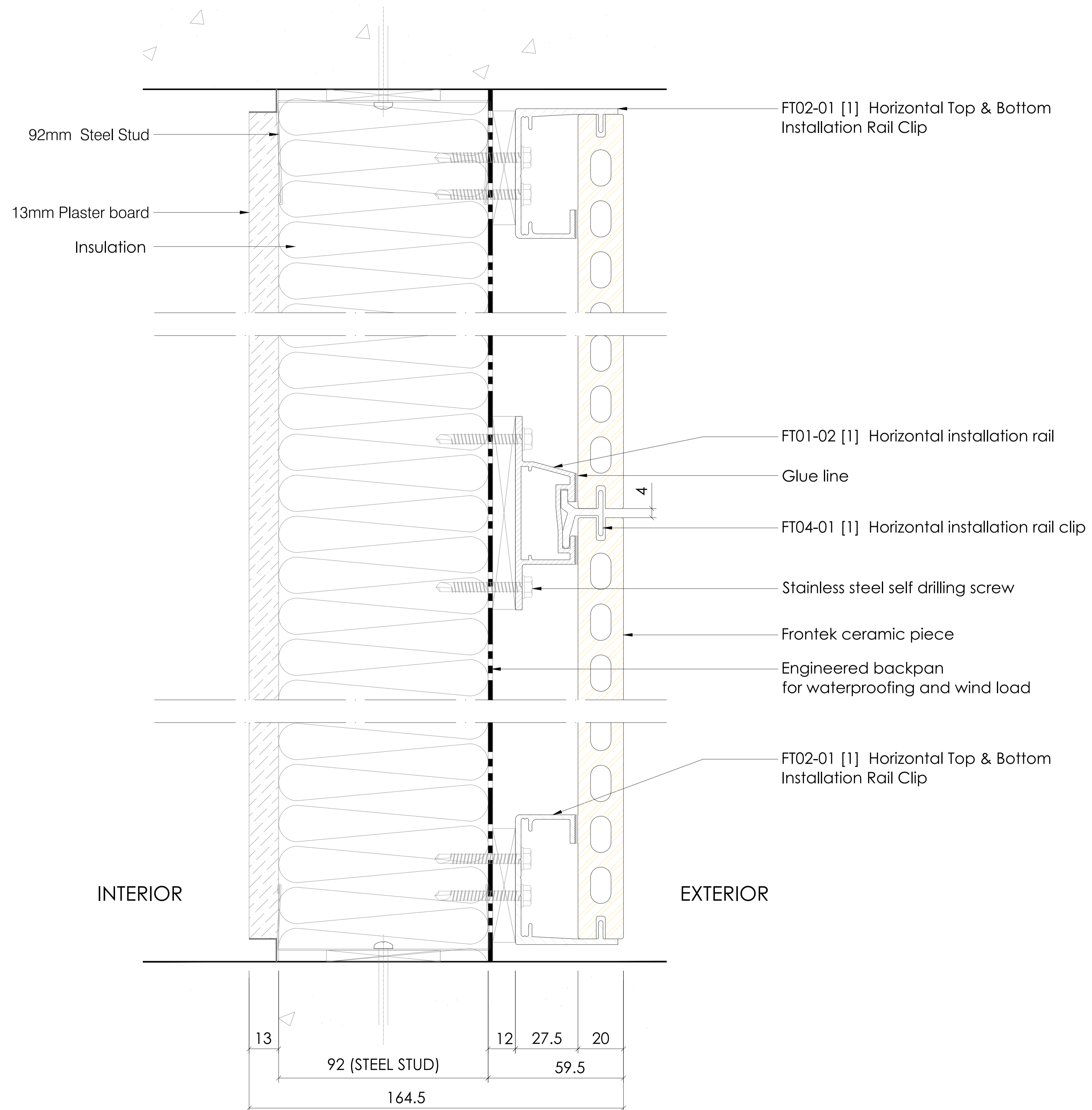
DRAWING NO. V102

**frontek**  
cerámica tecnológica en fachadas

FRONTEK AUSTRALIA PTY LTD.  
www.frontek.com.au  
+61 2 9316 6818

# Horizontal Configuration STUD WALL

## VERTICAL SECTION



FOR INFORMATION

### COPYRIGHT

These designs, details and/or specifications and the Copyright Therein, remain the property of **Frontek Australia.** and shall not be divulged in any form whatsoever without written permission of **Frontek Australia.**

All fixings sizes and types to be engineered by constructors

DRAWING DESCRIPTION  
VERTICAL SECTION

FACADE TYPE  
92 MM STUD WALL

FRONTEK SYSTEM  
HORIZONTAL CONFIGURATION

DRAWN BY  
BEATRIZ QUINTANA

FIRST DRAWN DATE 16/05/2018

REVIEWED BY  
-

SCALE 1/20 SIZE A3

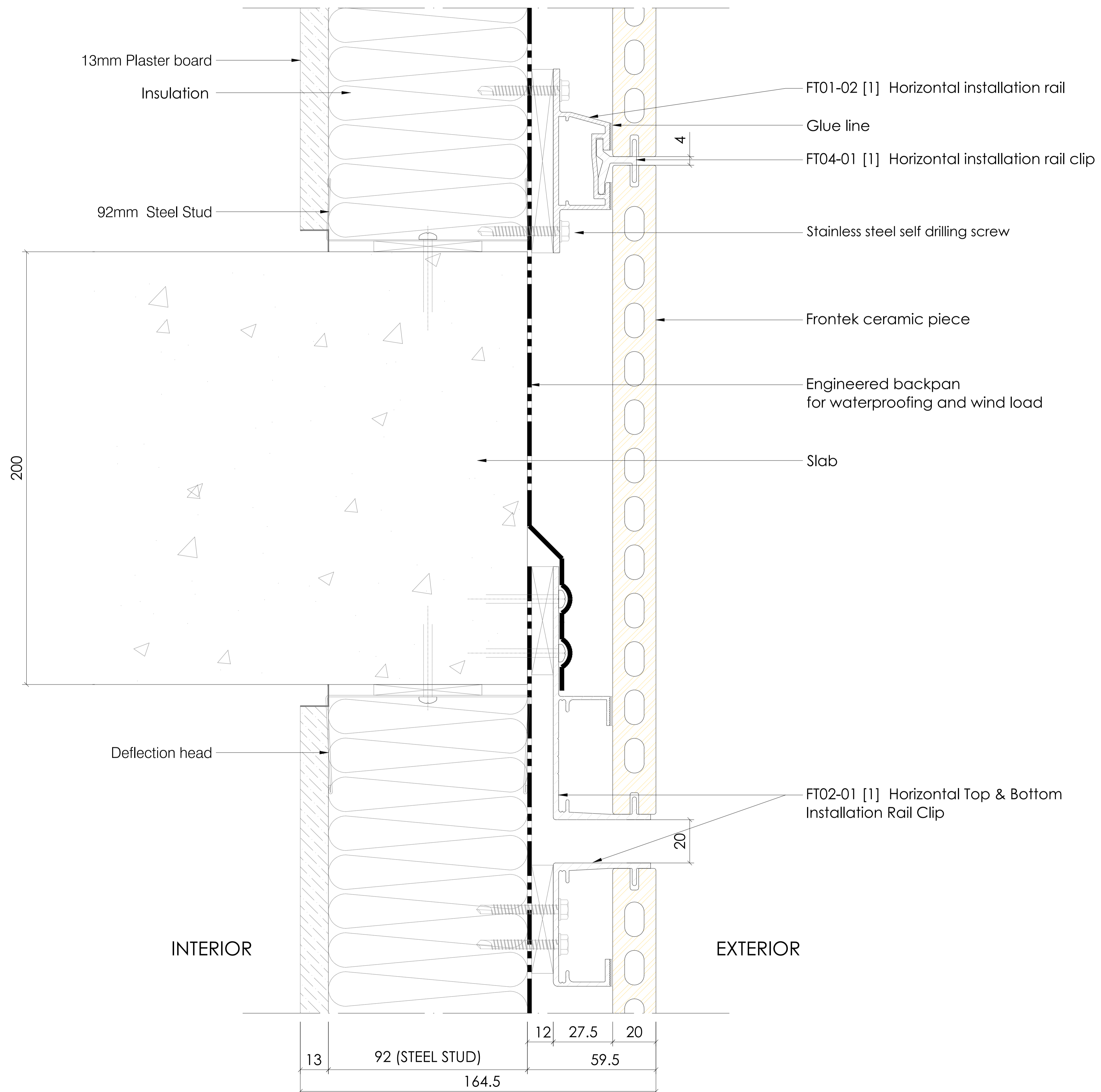
DRAWING NO. D101

**frontek**  
cerámica tecnológica en fachadas

FRONTEK AUSTRALIA PTY LTD.  
www.frontek.com.au  
+61 2 9316 6818

# Horizontal Configuration STUD WALL

VERTICAL SECTION.



FOR INFORMATION

## COPYRIGHT

These designs, details and/or specifications and the Copyright Therein, remain the property of **Frontek Australia.** and shall not be divulged in any form whatsoever without written permission of **Frontek Australia.**

All fixings sizes and types to be engineered by constructors

DRAWING DESCRIPTION  
VERTICAL SECTION

FACADE TYPE  
92 MM STUD WALL

FRONTEK SYSTEM  
HORIZONTAL CONFIGURATION

DRAWN BY  
BEATRIZ QUINTANA

FIRST DRAWN DATE 16/05/2018

REVIEWED BY  
-

SCALE 1/20 SIZE A3

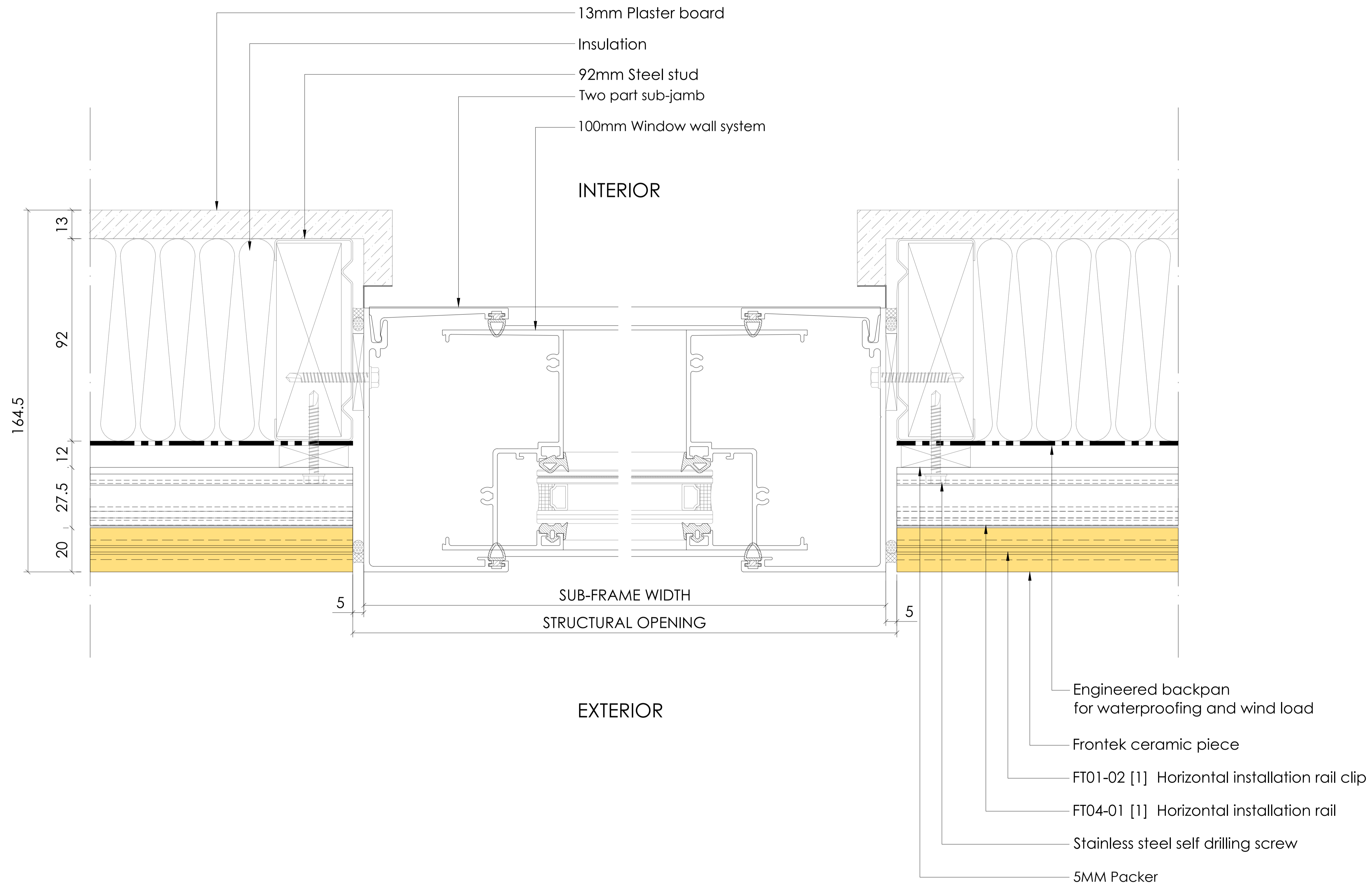
DRAWING NO. D102

**frontek**  
cerámica tecnológica en fachadas

FRONTEK AUSTRALIA PTY LTD.  
www.frontek.com.au  
+61 2 9316 6818

# Horizontal Configuration STUD WALL

HORIZONTAL SECTION.  
FLUSH FACADE DETAIL



FOR INFORMATION

## COPYRIGHT

These designs, details and/or specifications and the Copyright Therein, remain the property of **Frontek Australia.** and shall not be divulged in any form whatsoever without written permission of **Frontek Australia.**

All fixings sizes and types to be engineered by constructors

DRAWING DESCRIPTION  
HORIZONTAL SECTION  
FLUSH FACADE DETAIL

FACADE TYPE  
92 MM STUD WALL

FRONTEK SYSTEM  
HORIZONTAL CONFIGURATION

DRAWN BY  
BEATRIZ QUINTANA

FIRST DRAWN DATE 16/05/2018

REVIEWED BY  
-

SCALE 1/20 SIZE A3

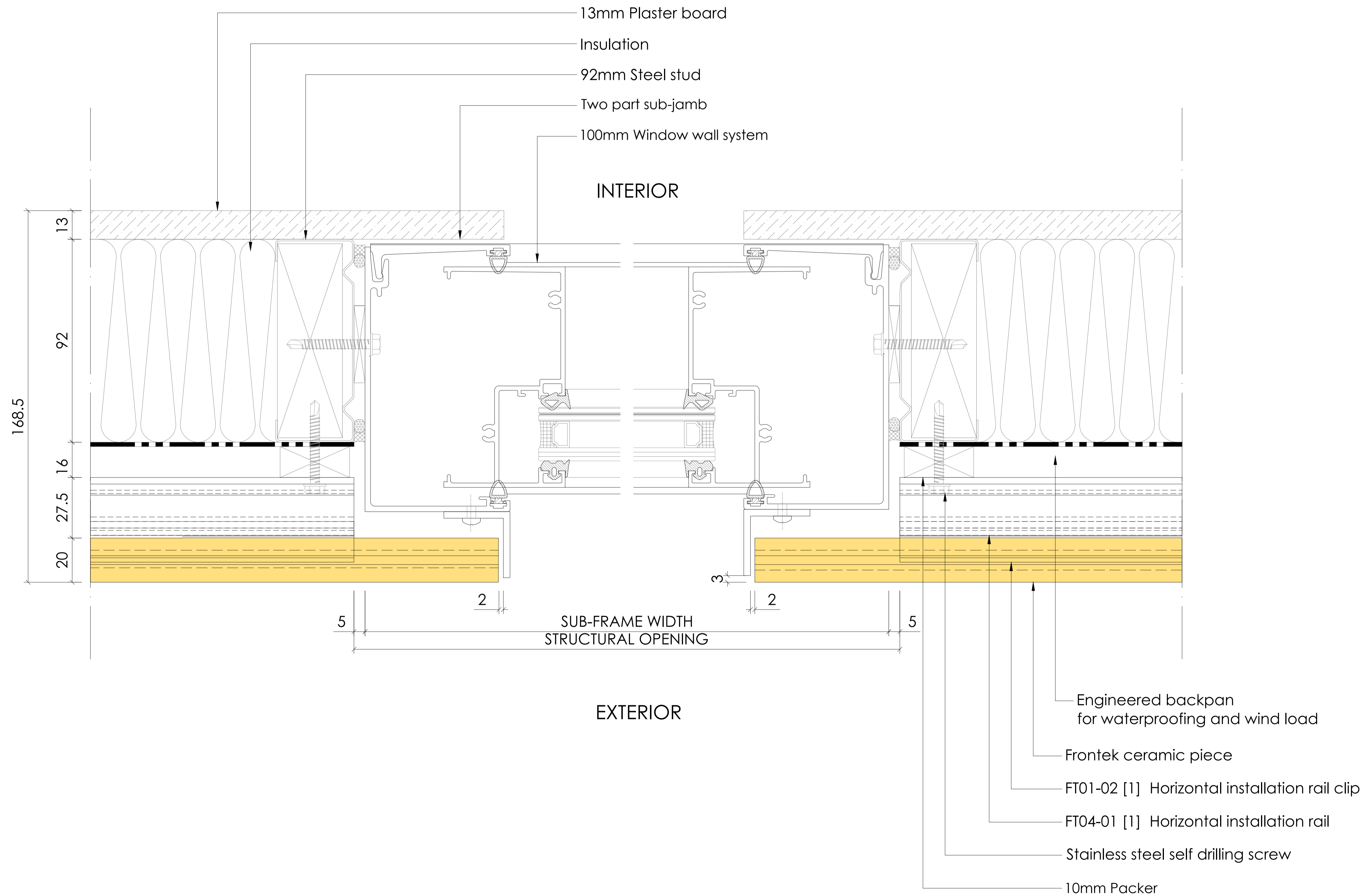
DRAWING NO. D103

**frontek**  
cerámica tecnológica en fachadas

FRONTEK AUSTRALIA PTY LTD.  
www.frontek.com.au  
+61 2 9316 6818

# Horizontal Configuration STUD WALL

HORIZONTAL SECTION.  
REVEAL FACADE DETAIL



FOR INFORMATION

## COPYRIGHT

These designs, details and/or specifications and the Copyright Therein, remain the property of

**Frontek Australia.**

and shall not be divulged in any form whatsoever without written permission of

**Frontek Australia.**

All fixings sizes and types to be engineered by constructors

DRAWING DESCRIPTION  
HORIZONTAL SECTION  
REVEAL FACADE DETAIL

FACADE TYPE  
92 MM STUD WALL

FRONTEK SYSTEM  
HORIZONTAL CONFIGURATION

DRAWN BY  
BEATRIZ QUINTANA

FIRST DRAWN DATE 16/05/2018

REVIEWED BY  
-

SCALE 1/20 SIZE A3

DRAWING NO. D104

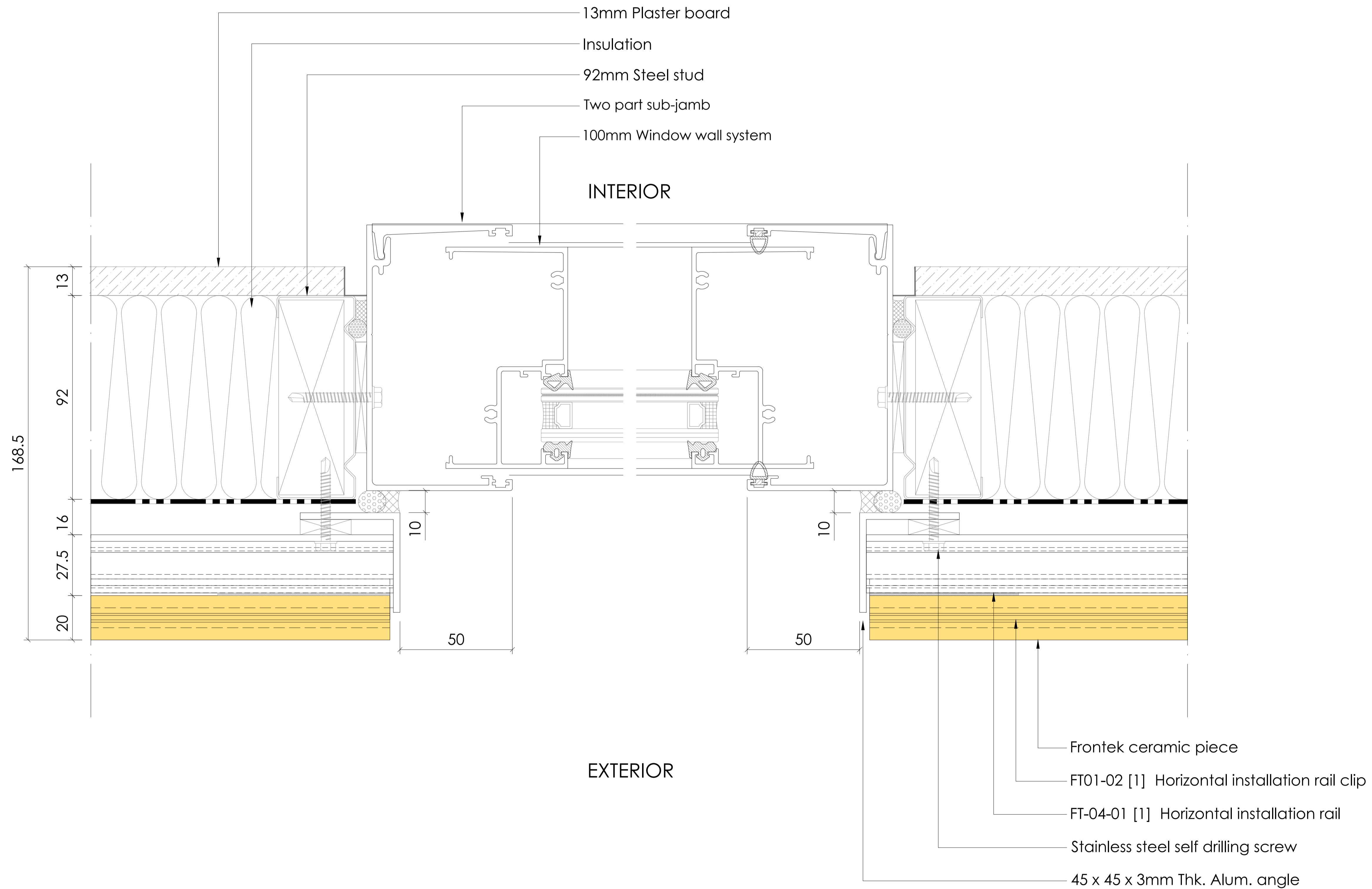
**frontek**  
cerámica tecnológica en fachadas

FRONTEK AUSTRALIA PTY LTD.  
www.frontek.com.au  
+61 2 9316 6818



# Horizontal Configuration STUD WALL

HORIZONTAL SECTION.  
REVEAL FACADE DETAIL



FOR INFORMATION

## COPYRIGHT

These designs, details and/or specifications and the Copyright Therein, remain the property of **Frontek Australia.** and shall not be divulged in any form whatsoever without written permission of **Frontek Australia.**

All fixings sizes and types to be engineered by constructors

DRAWING DESCRIPTION  
HORIZONTAL SECTION  
REVEAL FACADE DETAIL

FACADE TYPE  
92 MM STUD WALL

FRONTEK SYSTEM  
HORIZONTAL CONFIGURATION

DRAWN BY  
BEATRIZ QUINTANA

FIRST DRAWN DATE 16/05/2018

REVIEWED BY  
-

SCALE 1/20 SIZE A3

DRAWING NO. D105

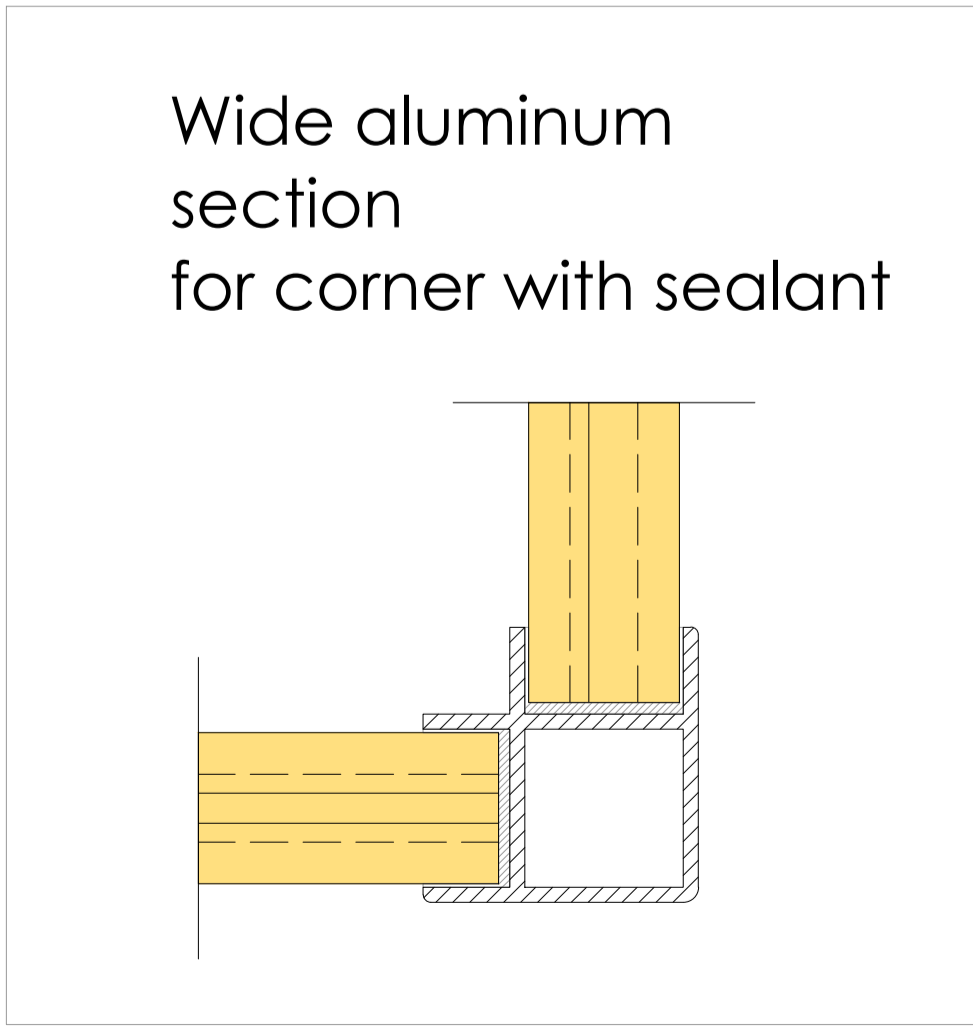
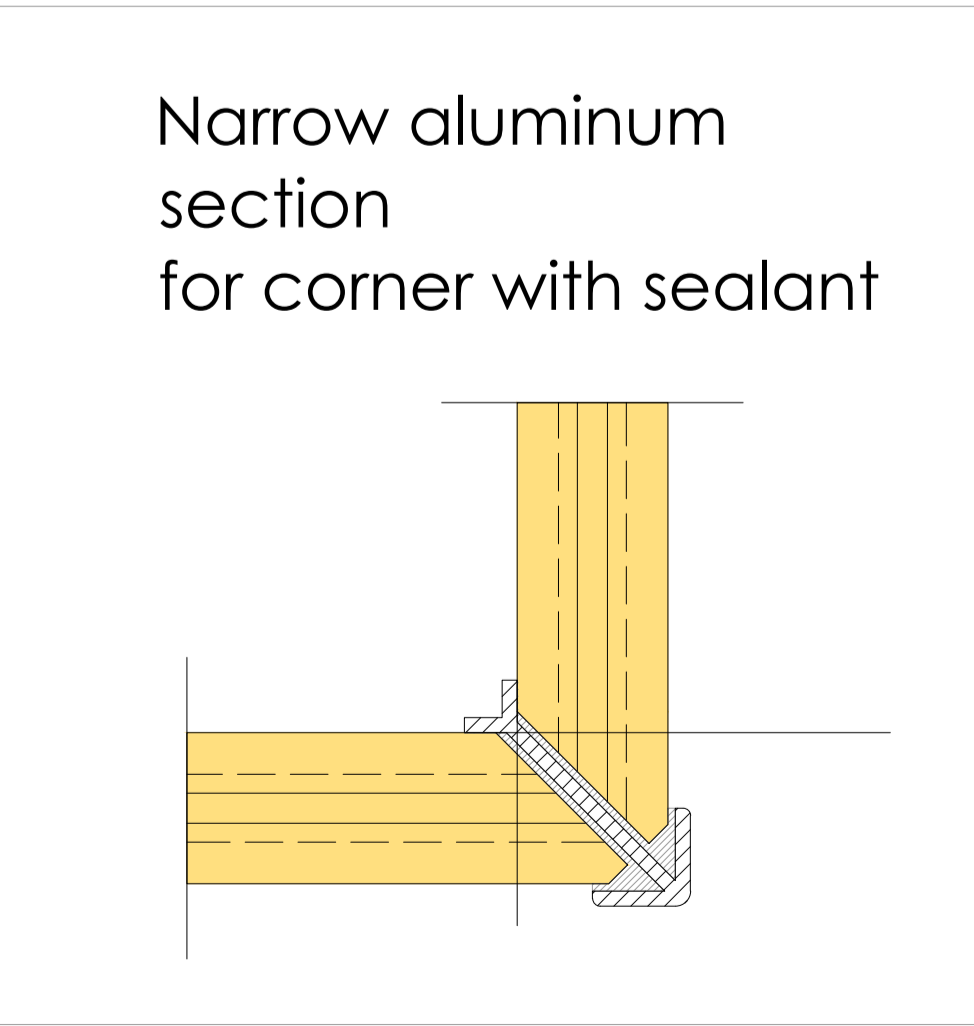
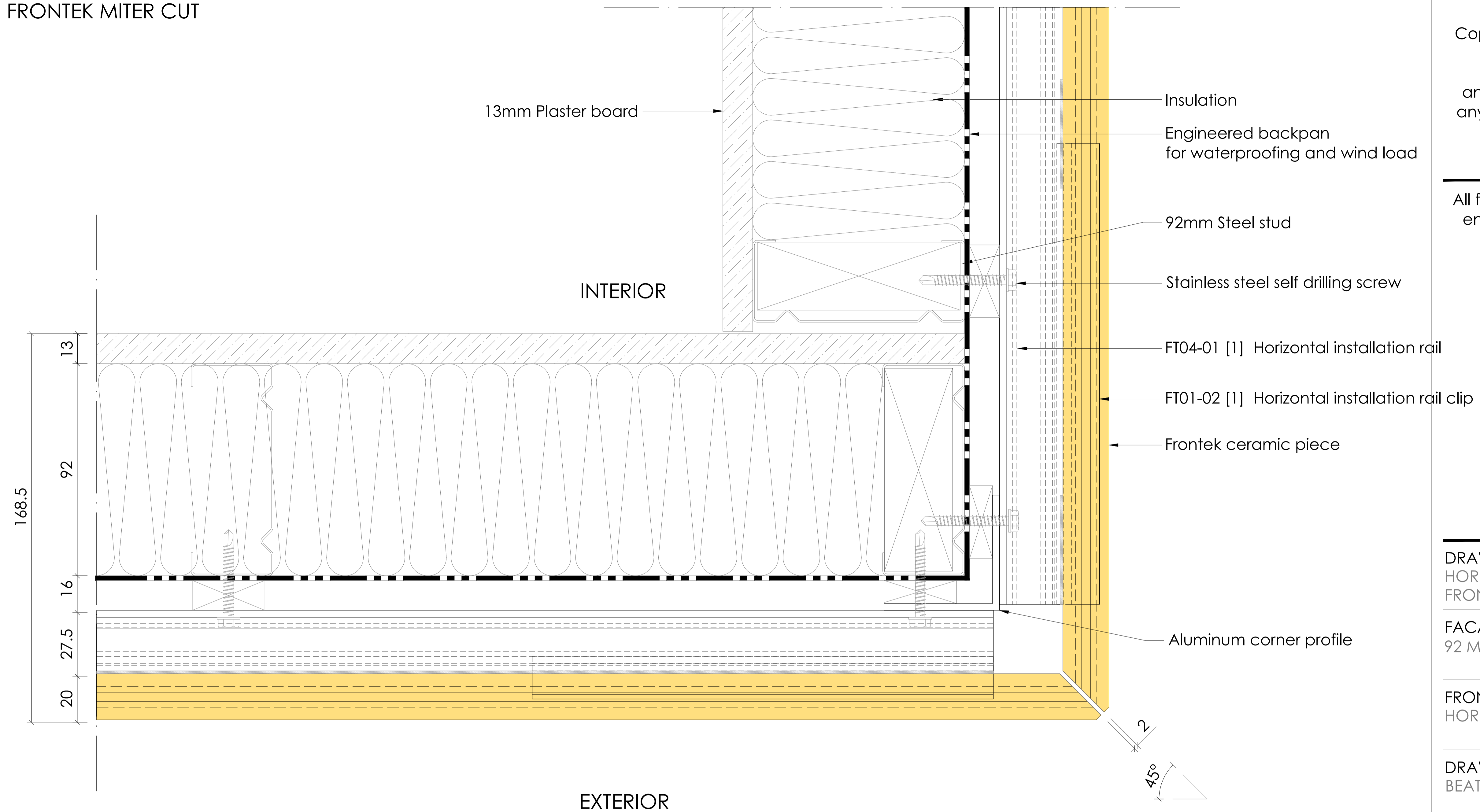
**frontek**  
cerámica tecnológica en fachadas

FRONTEK AUSTRALIA PTY LTD.  
www.frontek.com.au  
+61 2 9316 6818

# Horizontal Configuration STUD WALL

HORIZONTAL SECTION. OUTSIDE CORNER.

FRONTEK MITER CUT



FOR INFORMATION

**COPYRIGHT**

These designs, details and/or specifications and the Copyright Therein, remain the property of **Frontek Australia.** and shall not be divulged in any form whatsoever without written permission of **Frontek Australia.**

All fixings sizes and types to be engineered by constructors

DRAWING DESCRIPTION  
HORIZONTAL SECTION  
FRONTEK MITER CUT

FACADE TYPE  
92 MM STUD WALL

FRONTEK SYSTEM  
HORIZONTAL CONFIGURATION

DRAWN BY  
BEATRIZ QUINTANA

FIRST DRAWN DATE 16/05/2018

REVIEWED BY  
-

SCALE 1/20 SIZE A3

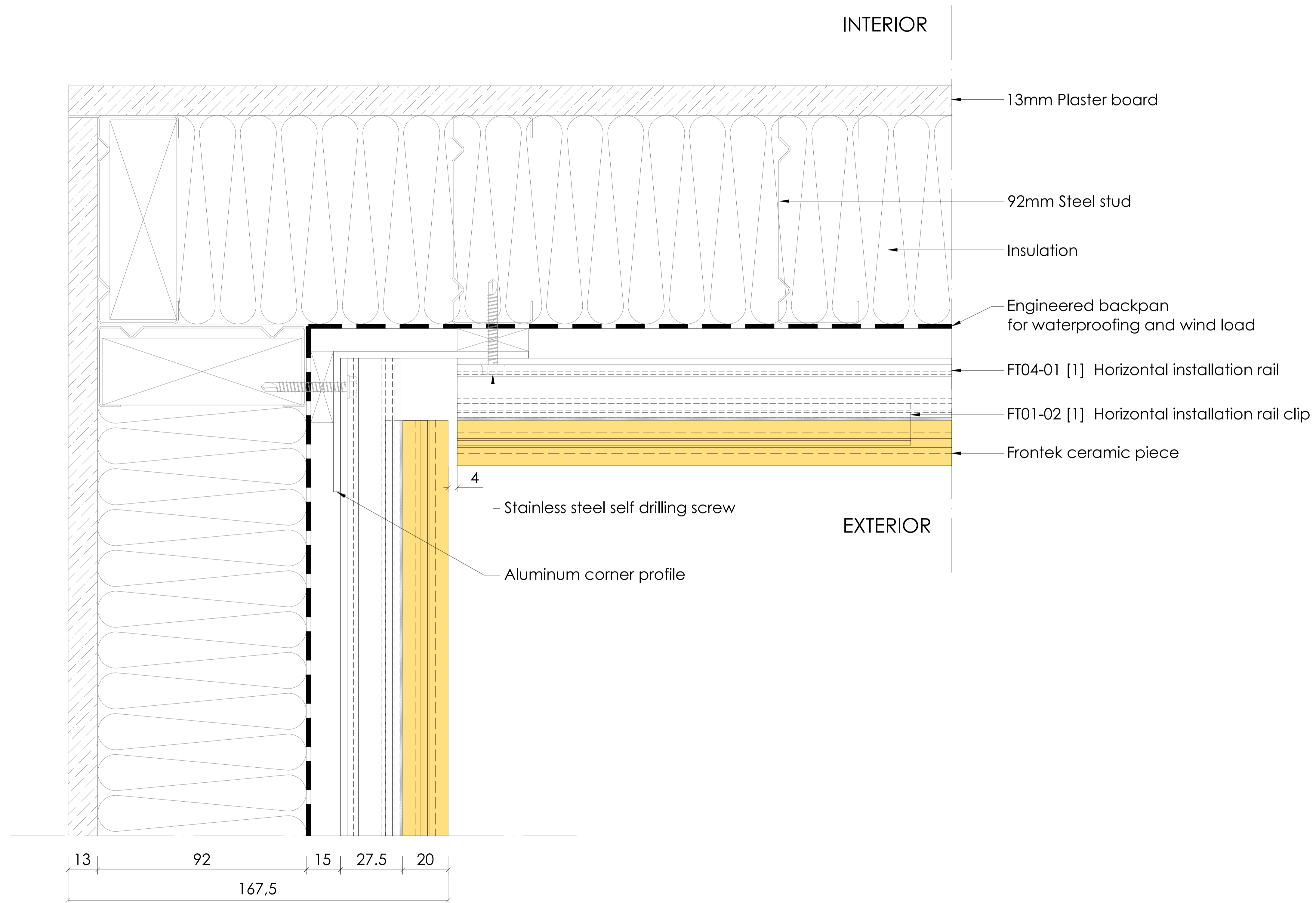
DRAWING NO. D106



FRONTEK AUSTRALIA PTY LTD.  
www.frontek.com.au  
+61 2 9316 6818

# Horizontal Configuration STUD WALL

HORIZONTAL SECTION. INTERIOR CORNER.



FOR INFORMATION

**COPYRIGHT**

These designs, details and/or specifications and the Copyright Therein, remain the property of **Frontek Australia.** and shall not be divulged in any form whatsoever without written permission of **Frontek Australia.**

All fixings sizes and types to be engineered by constructors

DRAWING DESCRIPTION  
HORIZONTAL SECTION  
INTERIOR CORNER

FACADE TYPE  
92 MM STUD WALL

FRONTEK SYSTEM  
HORIZONTAL CONFIGURATION

DRAWN BY  
BEATRIZ QUINTANA

FIRST DRAWN DATE 16/05/2018

REVIEWED BY  
-

SCALE 1/20 SIZE A3

DRAWING NO. D107

**frontek**  
cerámica tecnológica en fachadas

FRONTEK AUSTRALIA PTY LTD.  
www.frontek.com.au  
+61 2 9316 6818