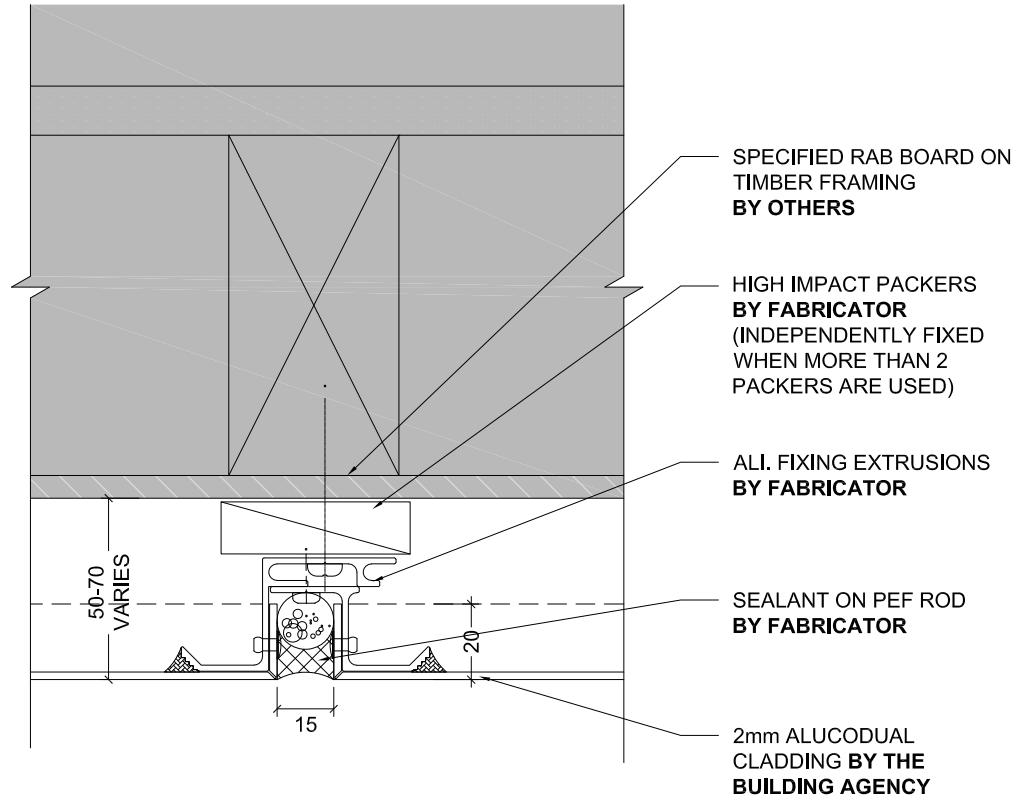


# ALUCODUAL

WAB SYSTEM



**NOTE**

TIMBER FRAMING BY OTHERS TO BE AT 600  
CTRS MAX FOR BOTH STUDS & NOGS. MAY BE  
REQUIRED AT CLOSER CENTERS SUBJECT TO  
ENGINEERING REQUIREMENTS

## VERTICAL JOINT ON RAB

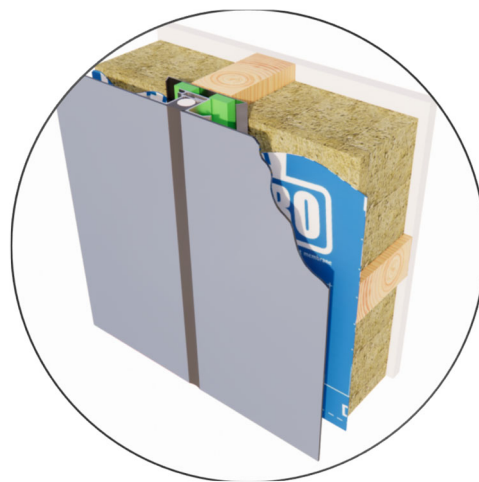
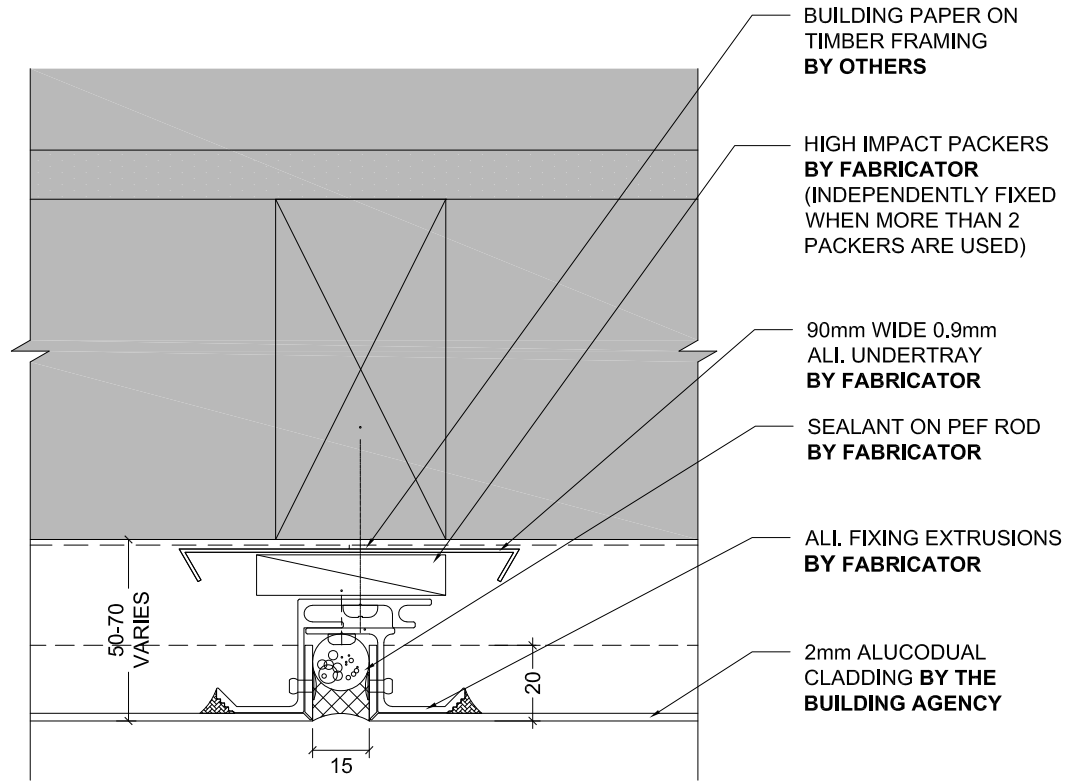
Detail Number \_\_\_\_\_  
Version \_\_\_\_\_  
[v1.0]



MATERIALS • SYSTEMS • SOLUTIONS

# ALUCODUAL

## WAB SYSTEM



**NOTE**

TIMBER FRAMING BY OTHERS TO BE AT 600 CTRS MAX FOR BOTH STUDS & NOGS. MAY BE REQUIRED AT CLOSER CENTERS SUBJECT TO ENGINEERING REQUIREMENTS

## VERTICAL JOINT ON BUILDING PAPER

Detail Number \_\_\_\_\_

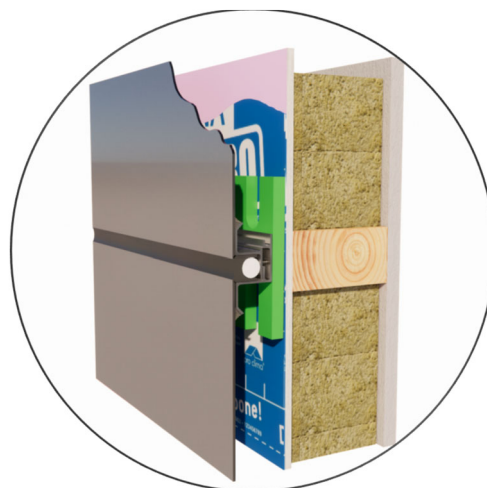
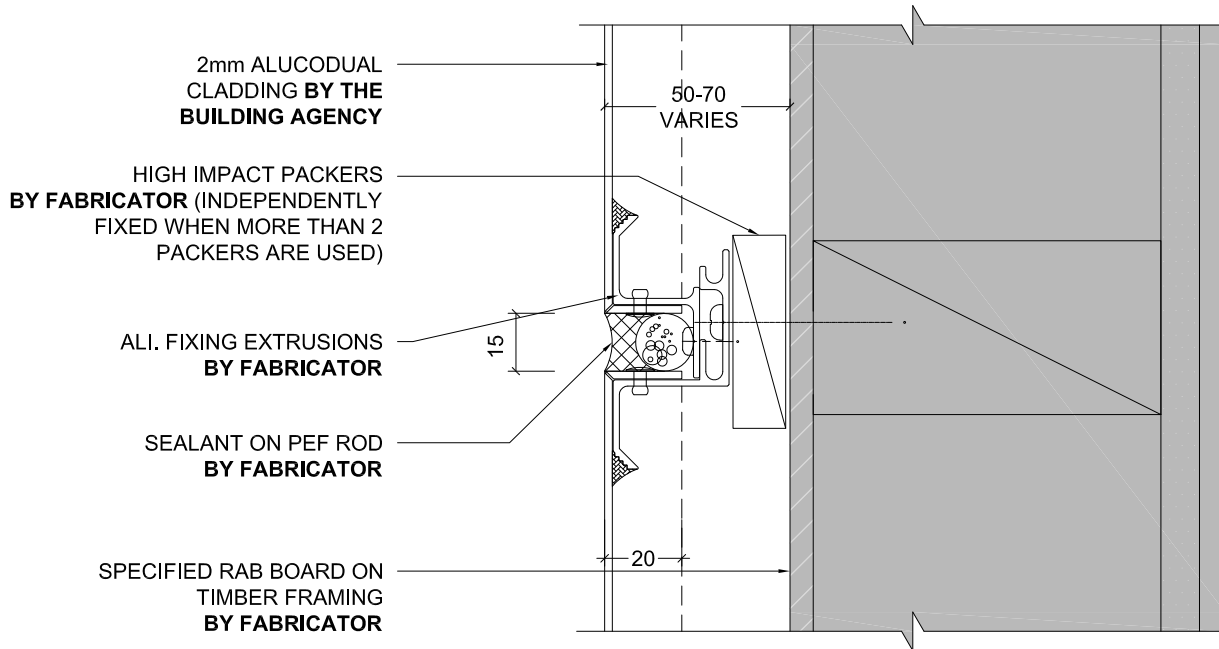
Version \_\_\_\_\_

1.1

[v1.0]



MATERIALS • SYSTEMS • SOLUTIONS



**NOTE**

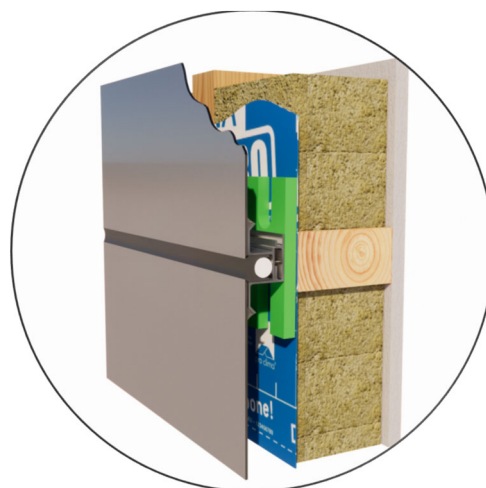
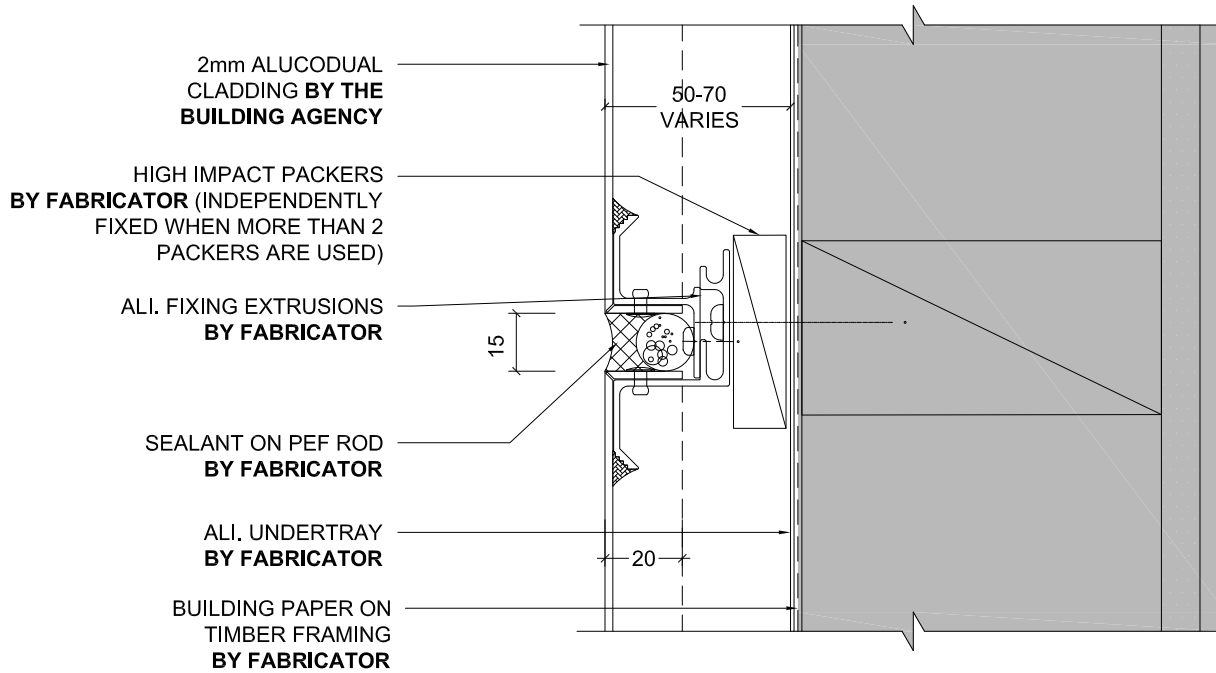
TIMBER FRAMING BY OTHERS TO BE AT 600 CTRS MAX FOR BOTH STUDS & NOGS. MAY BE REQUIRED AT CLOSER CENTERS SUBJECT TO ENGINEERING REQUIREMENTS

## HORIZONTAL JOINT ON RAB

Detail Number \_\_\_\_\_  
Version \_\_\_\_\_  
[v1.0]



MATERIALS • SYSTEMS • SOLUTIONS



**NOTE**

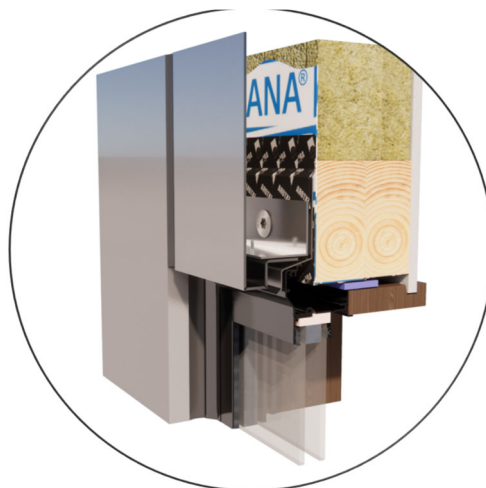
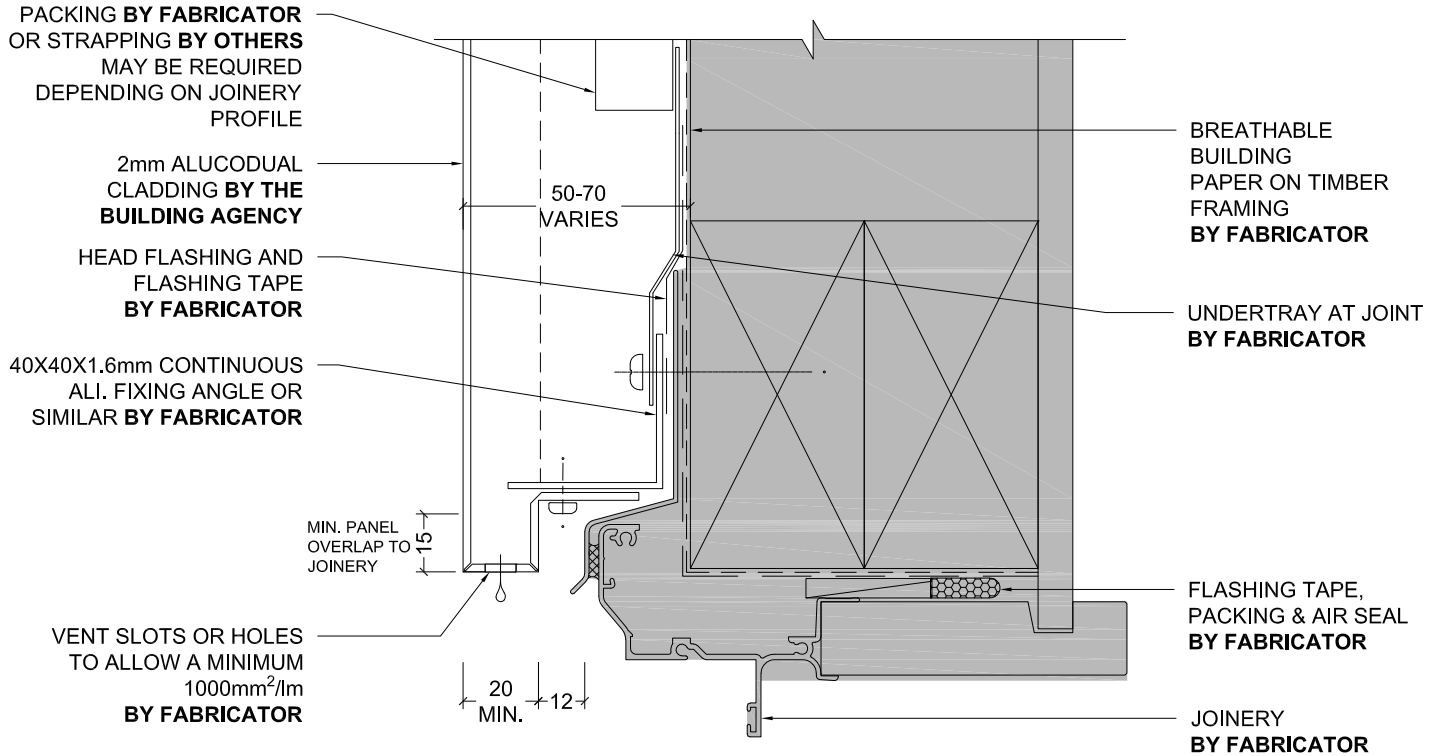
TIMBER FRAMING BY OTHERS TO BE AT 600 CTRS MAX FOR BOTH STUDS & NOGS. MAY BE REQUIRED AT CLOSER CENTERS SUBJECT TO ENGINEERING REQUIREMENTS

## HORIZONTAL JOINT ON BUILDING PAPER

Detail Number \_\_\_\_\_  
Version \_\_\_\_\_  
[v1.0]



MATERIALS • SYSTEMS • SOLUTIONS

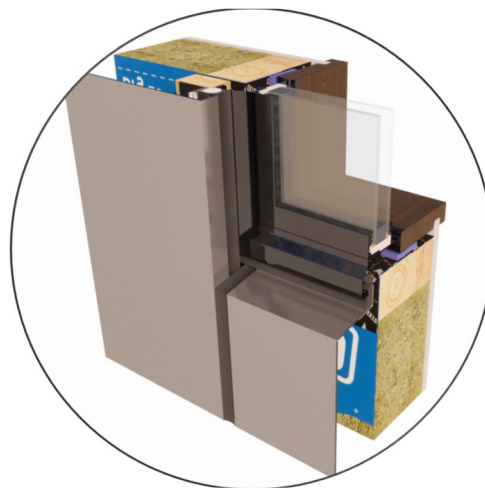
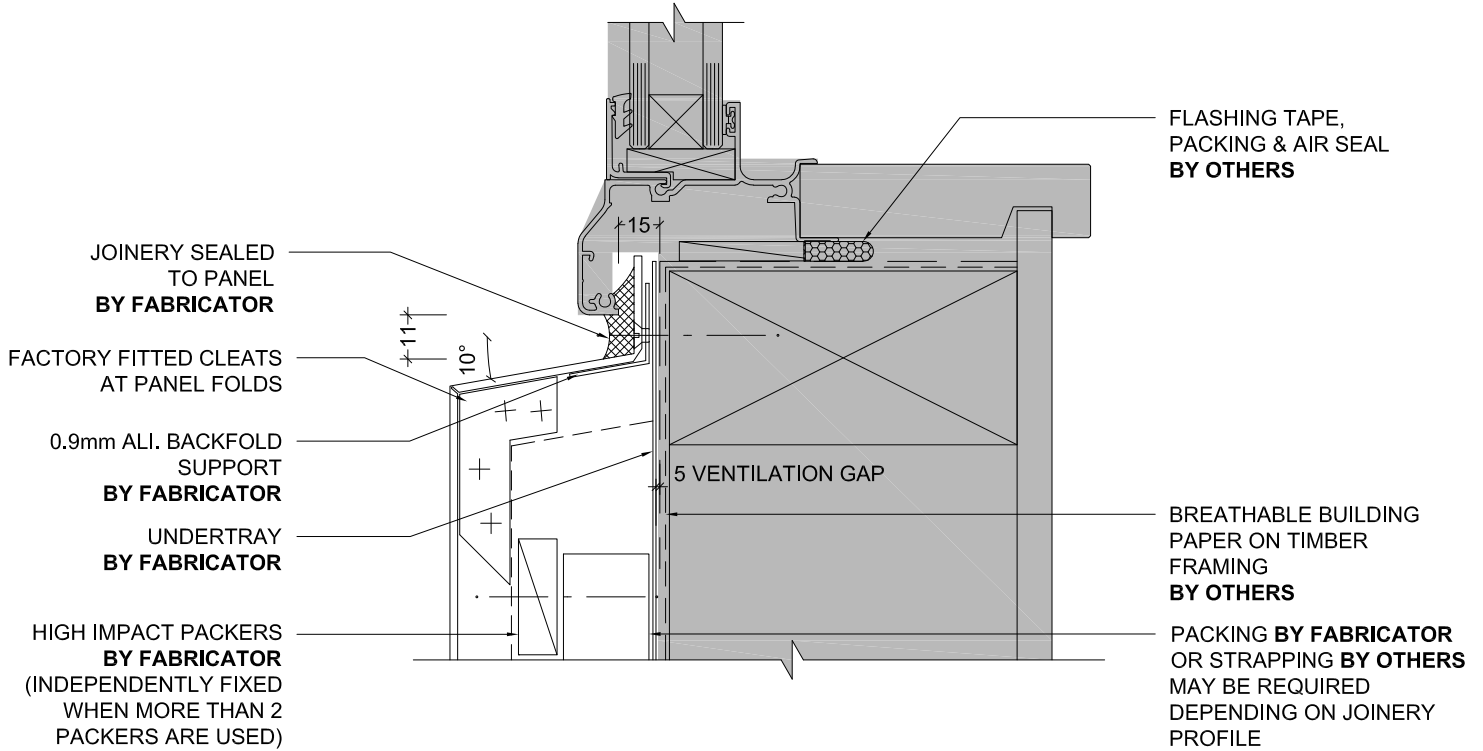


## WINDOW HEAD RESIDENTIAL JOINERY

Detail Number \_\_\_\_\_  
Version \_\_\_\_\_  
[v1.0]



MATERIALS • SYSTEMS • SOLUTIONS



**NOTE**

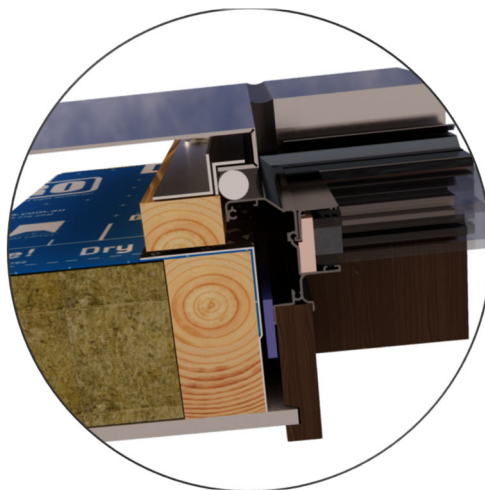
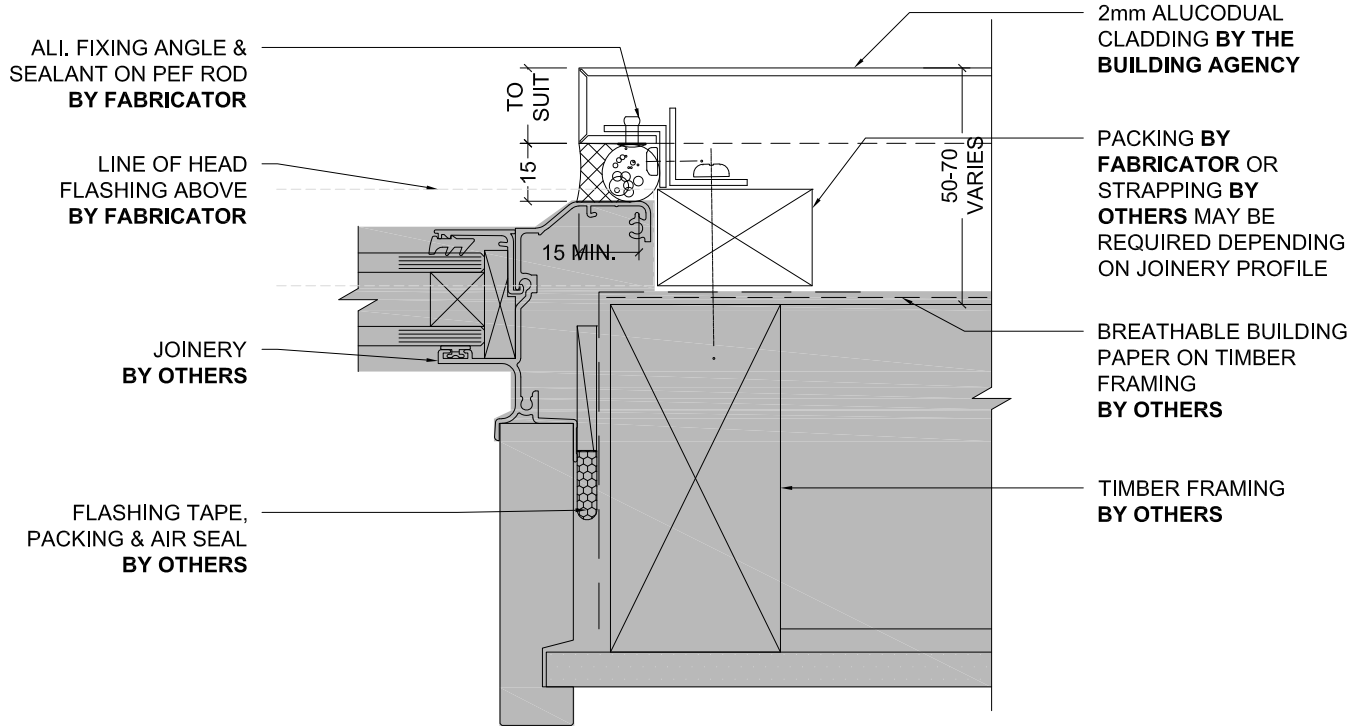
IMPORTANT: ENSURE 15MM MIN CLEARANCE FROM INSIDE OF SILL TRAY TO FLASHING TAPE, FOR PANEL UPSTAND

## WINDOW SILL RESIDENTIAL JOINERY

Detail Number  
\_\_\_\_\_  
Version  
\_\_\_\_\_  
3.1.1  
\_\_\_\_\_  
[v1.0]



MATERIALS • SYSTEMS • SOLUTIONS



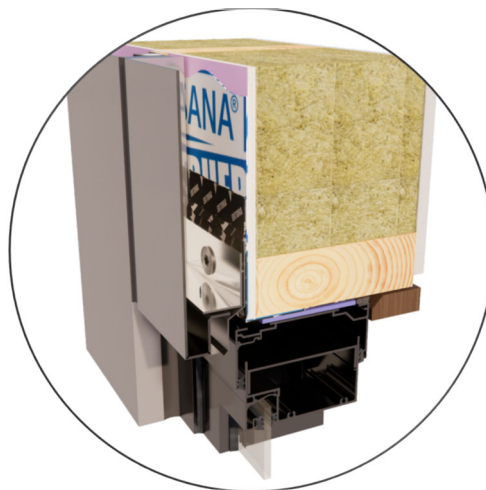
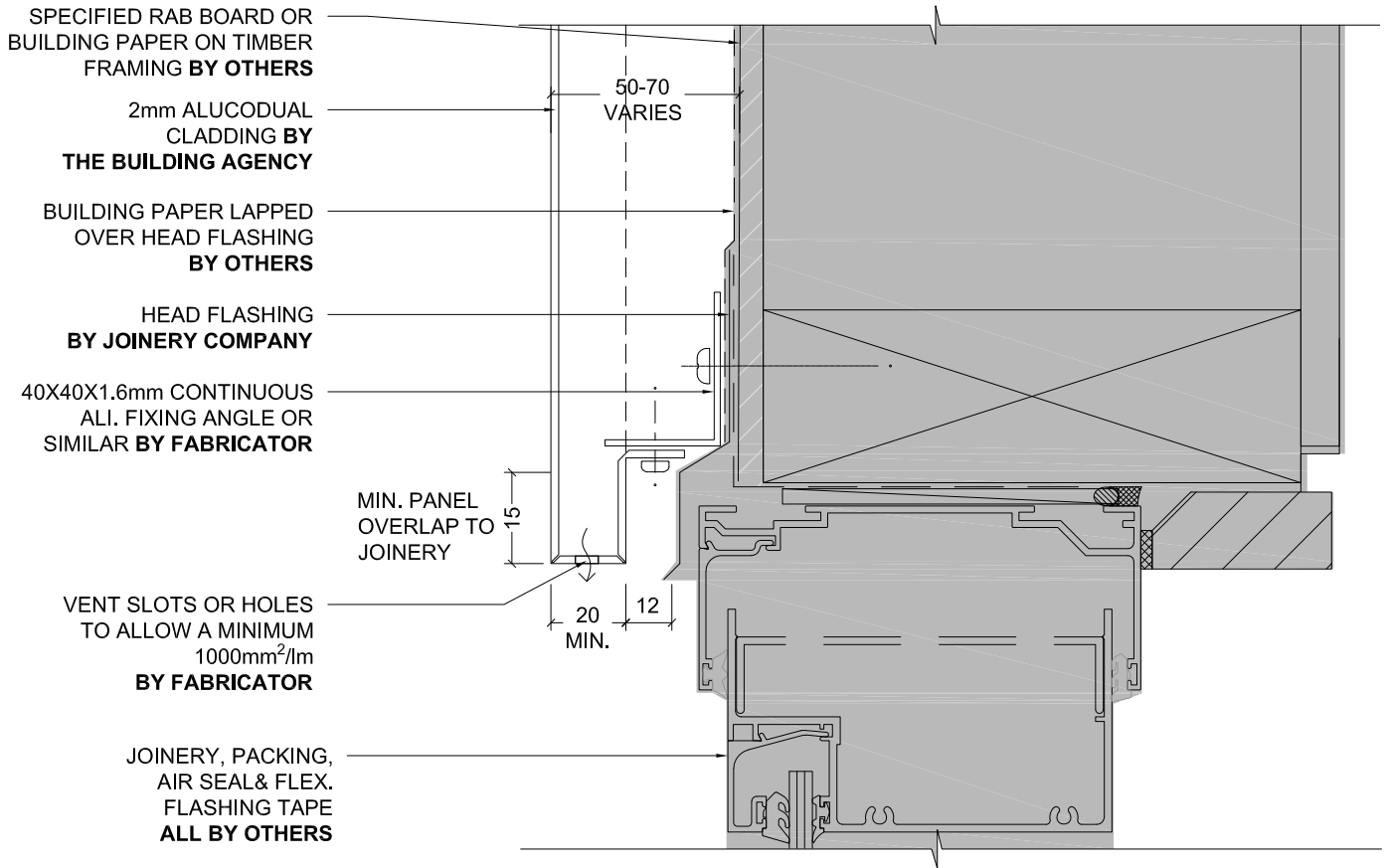
## WINDOW JAMB RESIDENTIAL JOINERY

Detail Number \_\_\_\_\_  
Version \_\_\_\_\_  
[v1.0]



MATERIALS • SYSTEMS • SOLUTIONS





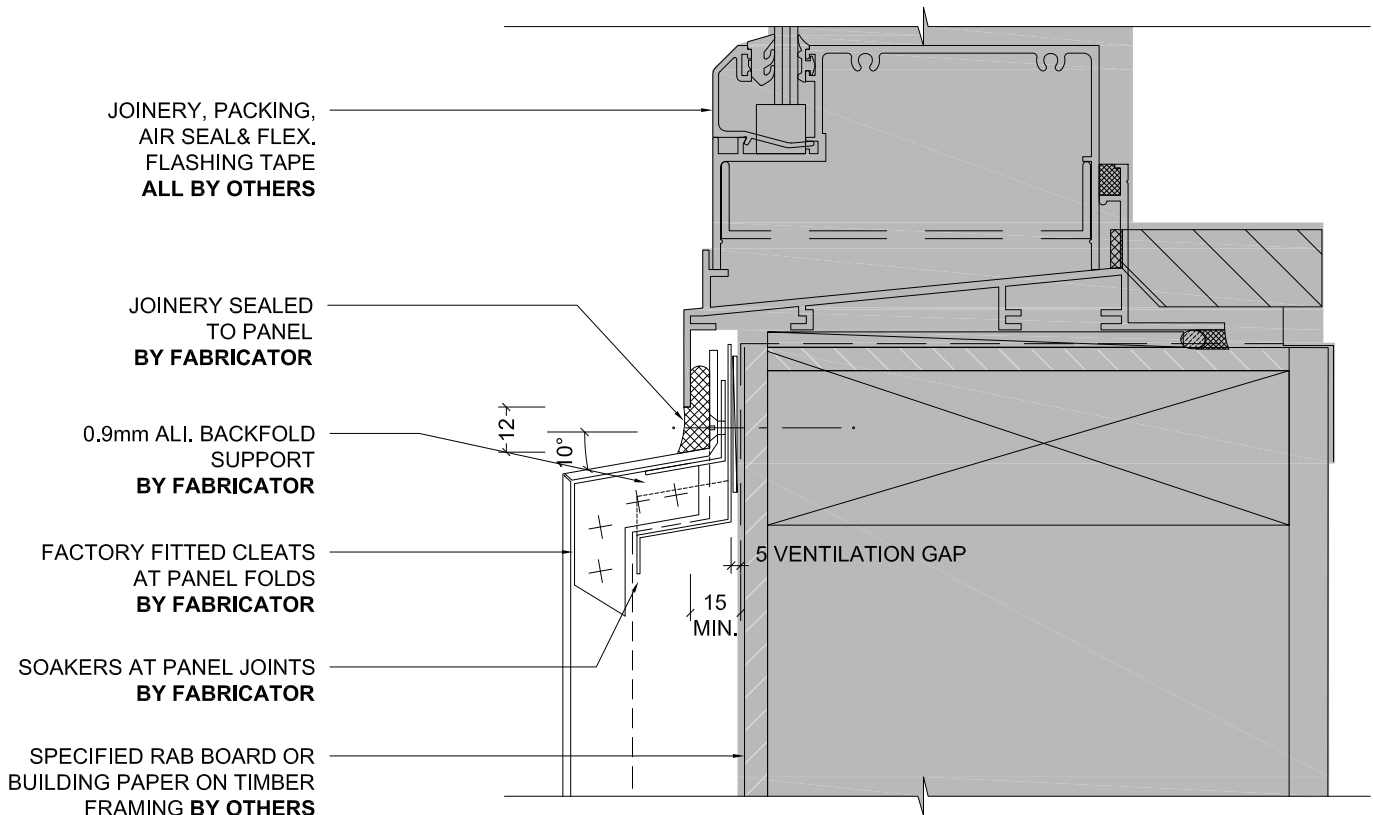
## WINDOW HEAD COMMERCIAL JOINERY

Detail Number \_\_\_\_\_  
Version \_\_\_\_\_  
3.2.0  
[v1.0]



MATERIALS • SYSTEMS • SOLUTIONS





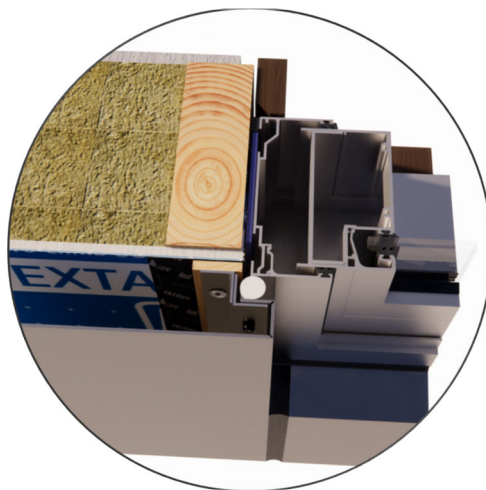
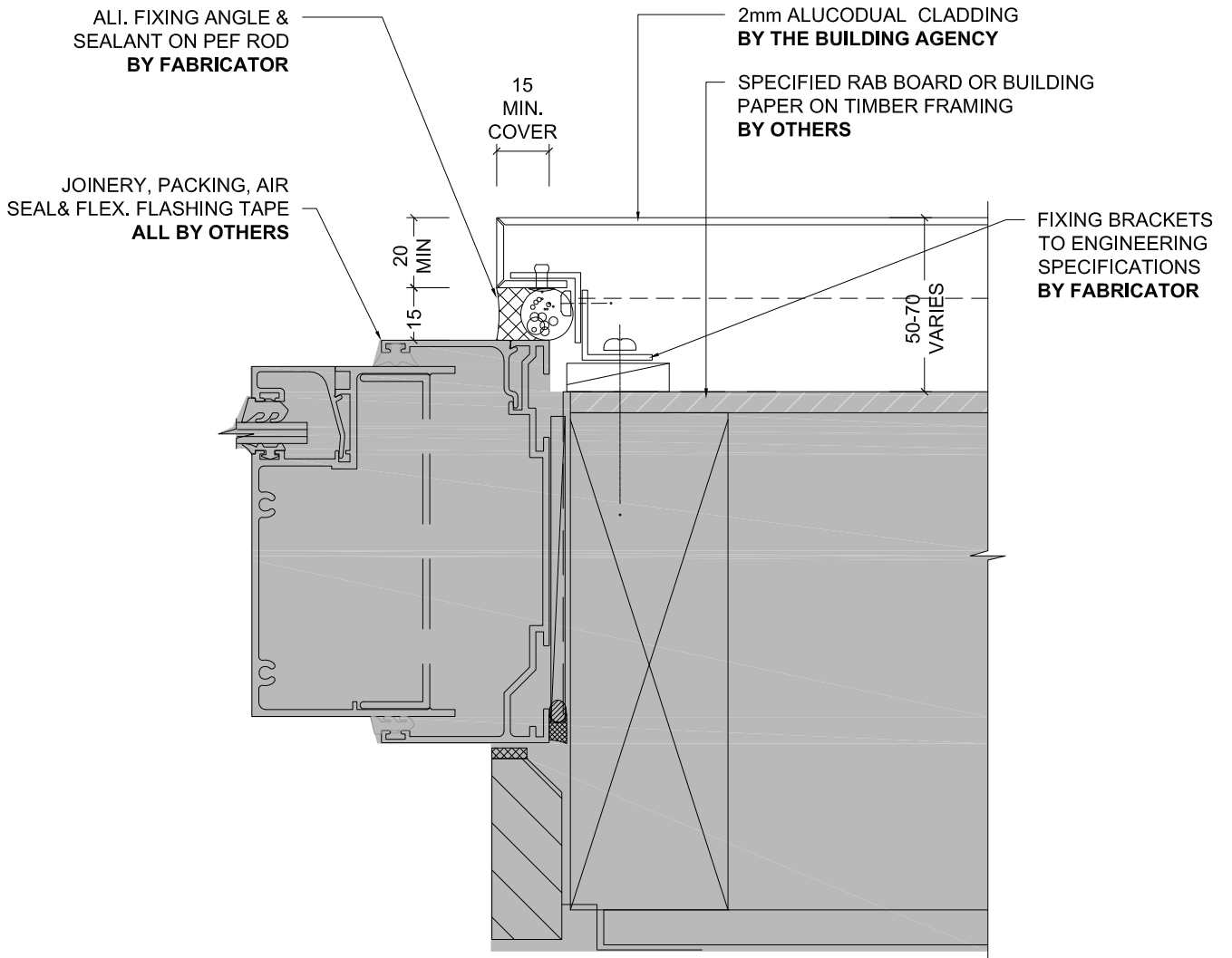
**NOTE**  
 IMPORTANT: ENSURE 15MM MIN CLEARANCE FROM INSIDE OF SILL TRAY TO FLASHING TAPE, FOR PANEL UPSTAND

## WINDOW SILL COMMERCIAL JOINERY

Detail Number \_\_\_\_\_  
 Version \_\_\_\_\_  
 [v1.0]



MATERIALS • SYSTEMS • SOLUTIONS



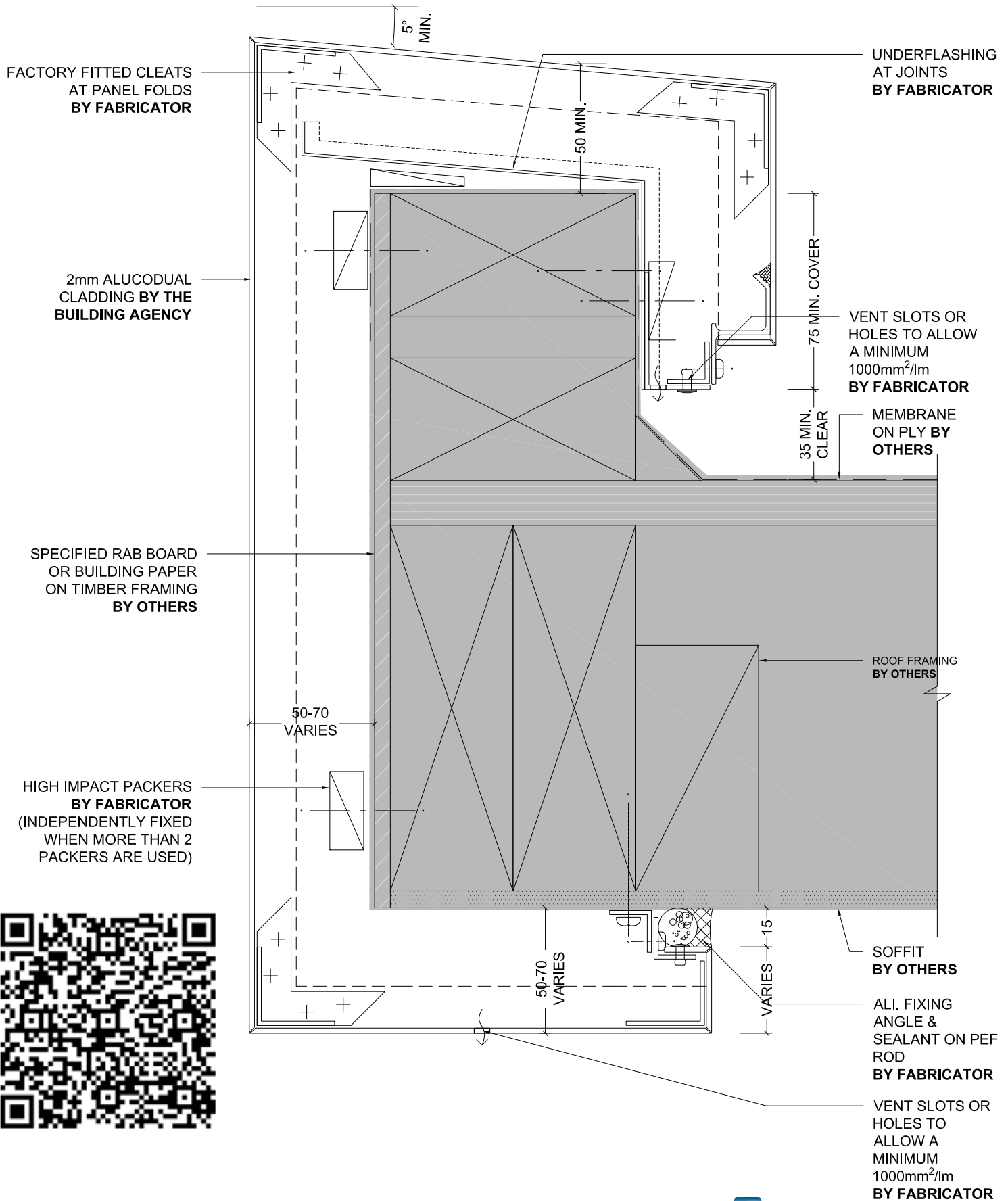
## WINDOW JAMB COMMERCIAL JOINERY

Detail Number \_\_\_\_\_  
Version \_\_\_\_\_  
3.2.2  
[v1.0]



MATERIALS • SYSTEMS • SOLUTIONS

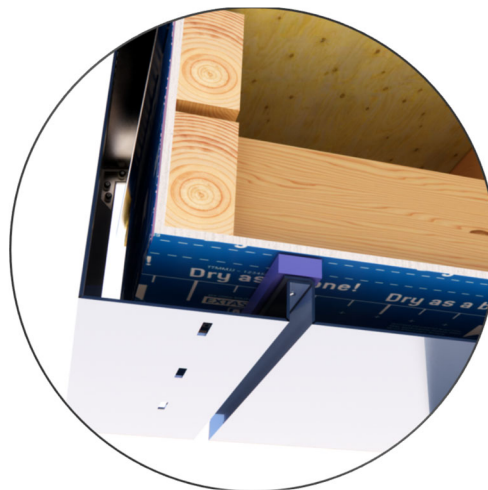
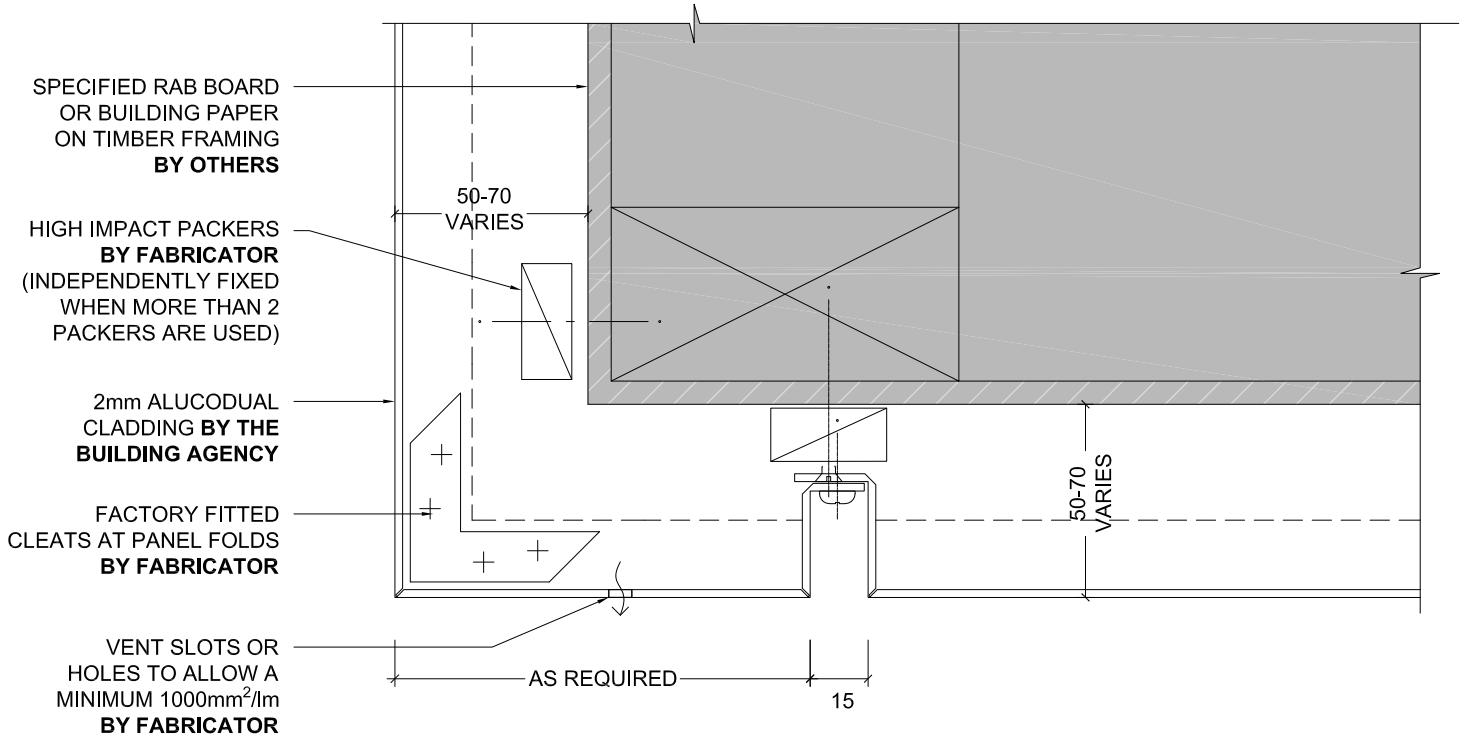




## FASCIA - SOFFIT BY OTHERS AT HIGH WIND ZONE

Detail Number \_\_\_\_\_  
Version \_\_\_\_\_  
4.1  
[v1.0]



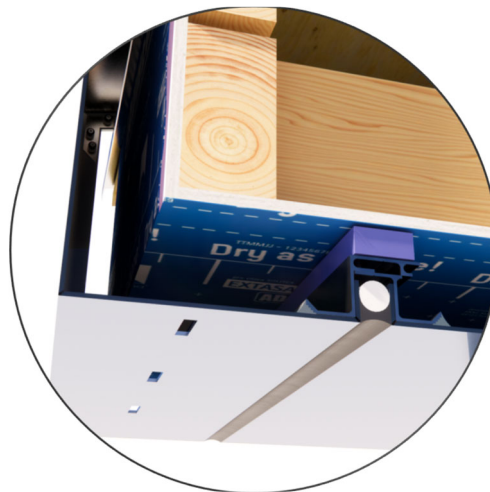
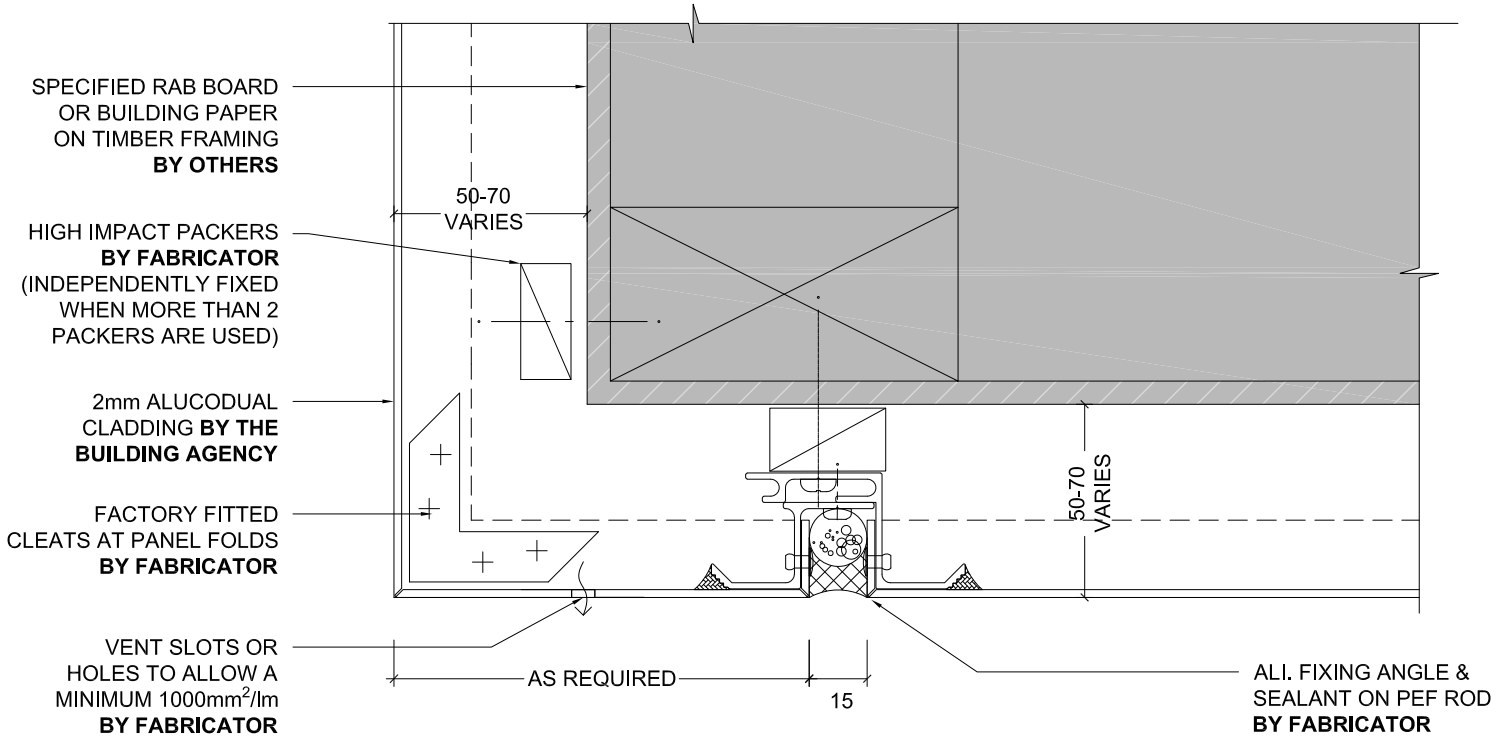


## SOLID ALUMINIUM FASCIA TO SOFFIT

Detail Number \_\_\_\_\_  
Version \_\_\_\_\_  
4.2.0  
[v1.0]



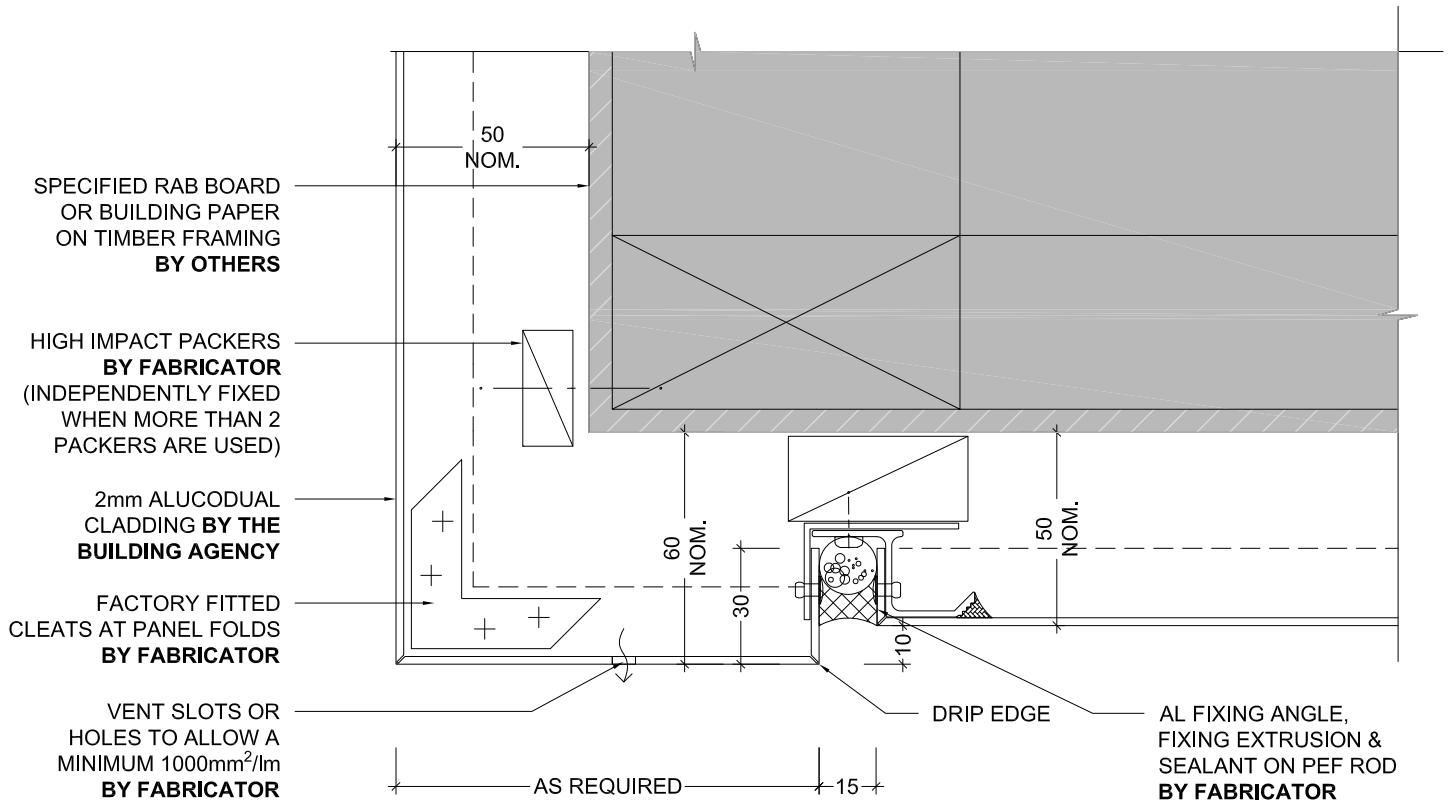
MATERIALS • SYSTEMS • SOLUTIONS



## SOLID ALUMINIUM FASCIA TO SOFFIT OP.2

Detail Number \_\_\_\_\_  
Version \_\_\_\_\_  
4.2.1  
[v1.0]





## DRIP EDGE DETAIL

Detail Number \_\_\_\_\_  
Version \_\_\_\_\_

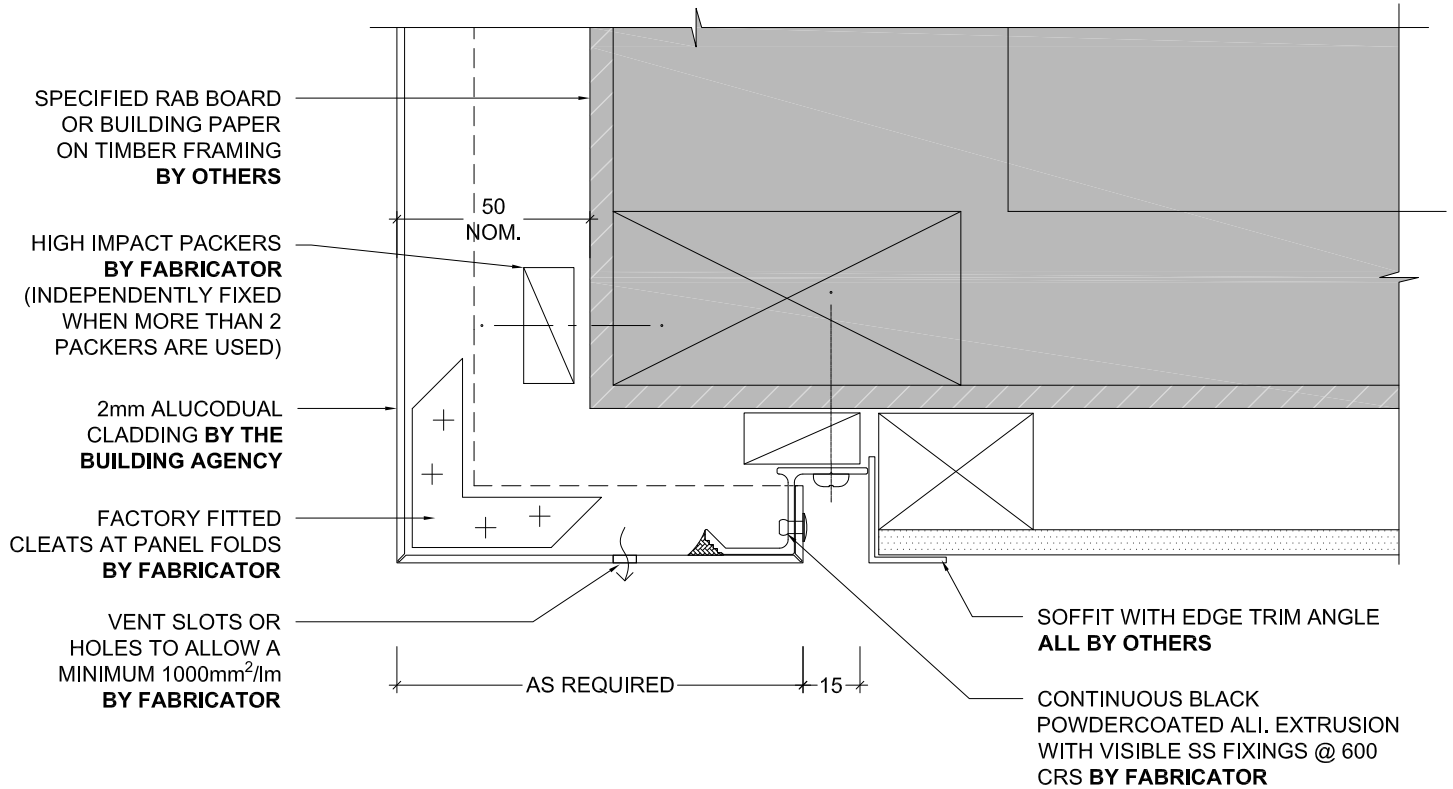
4.3.0

[v1.0]



MATERIALS • SYSTEMS • SOLUTIONS





## OPEN FLUSH SOFFIT JOINT

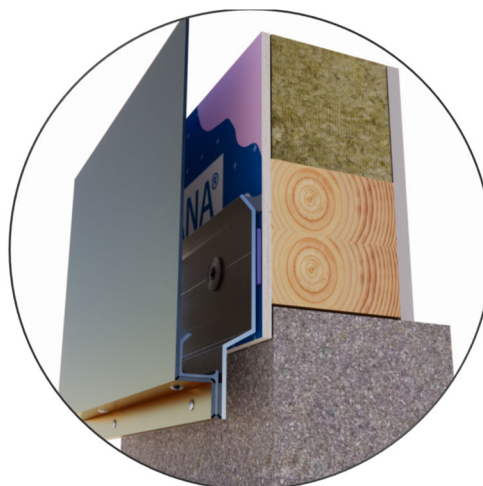
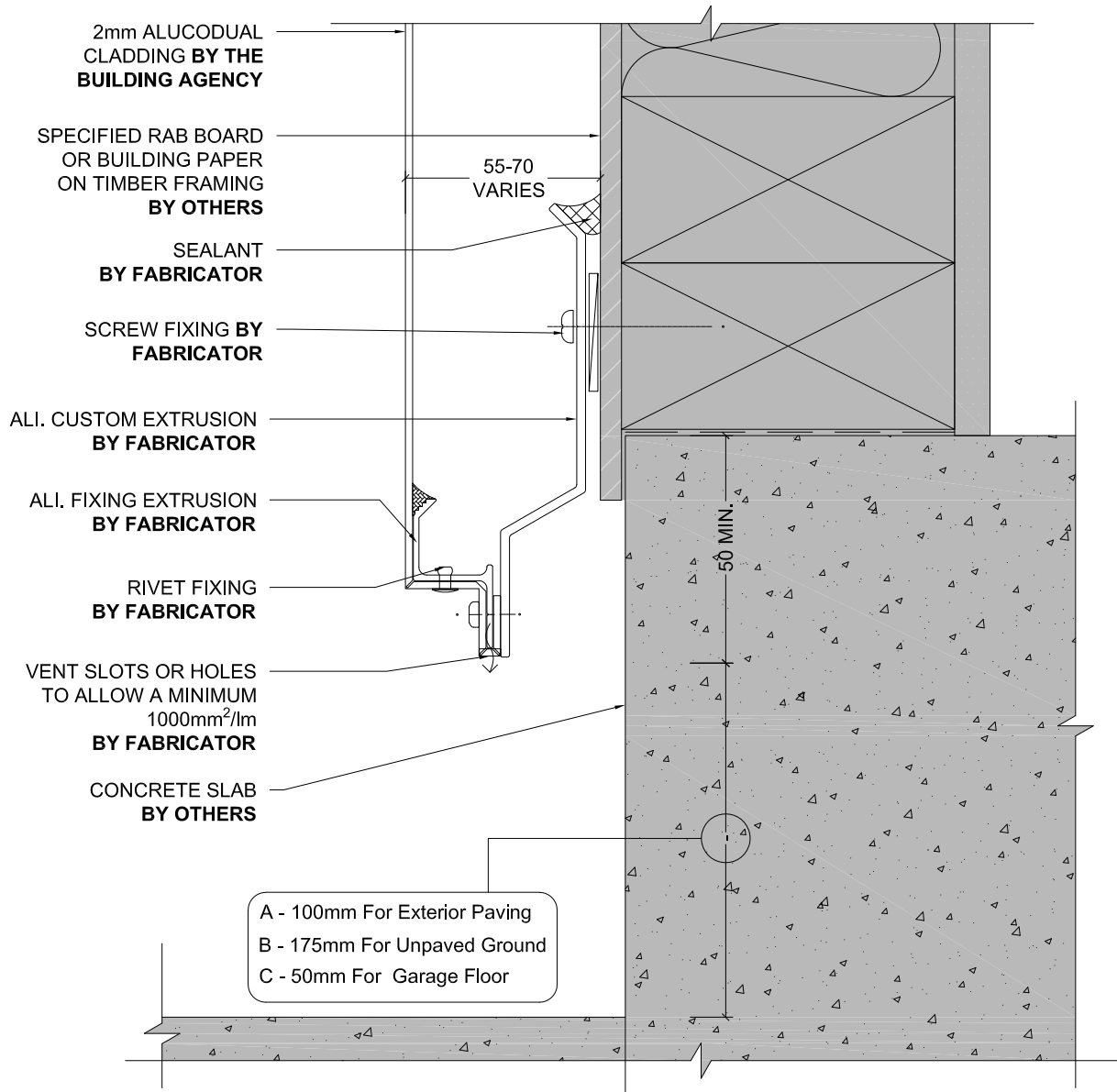
Detail Number \_\_\_\_\_  
4.3.1

Version \_\_\_\_\_  
[v1.0]



# ALUCODUAL

WAB SYSTEM



BASE  
DETAIL

Detail Number \_\_\_\_\_  
Version \_\_\_\_\_  
[v1.0]

**BA** THE BUILDING AGENCY

MATERIALS • SYSTEMS • SOLUTIONS

# ALUCODUAL

# WAB SYSTEM

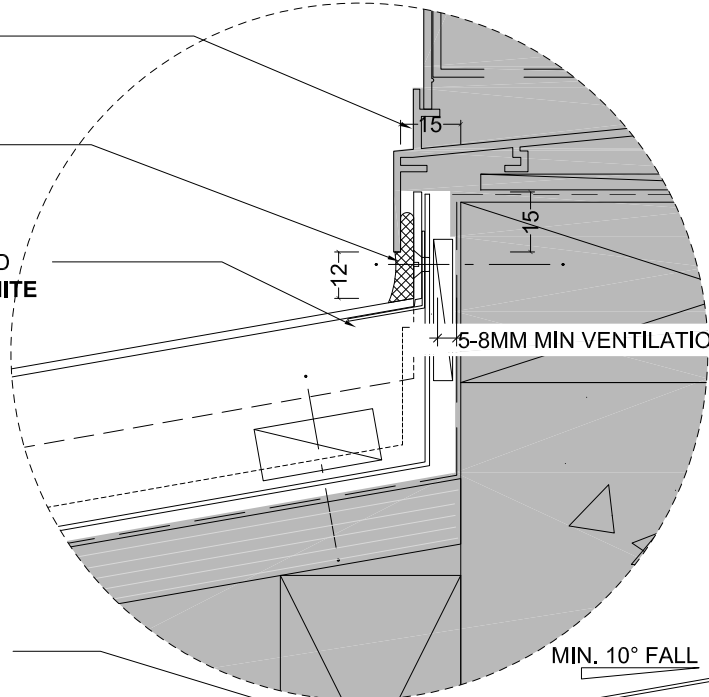
NOTE  
ENSURE 15MM MIN CLEARANCE AT SILL TRAY FOR PANEL UPSTAND  
60MM MIN CLEARANCE FROM BOTTOM OF SILL TRAY LEF TO FRAMING BELOW



JOINERY, PACKING,  
AIR SEAL ALL BY  
**OTHERS**

PANEL SEALED TO  
SILL TRAY BY  
**SYMONITE**

0.9MM ALI. BACKFOLD  
SUPPORT BY **SYMONITE**



5-8MM MIN VENTILATION GAP

UNDERFLASHING @  
PANEL JOINTS  
BY **FABRICATOR**

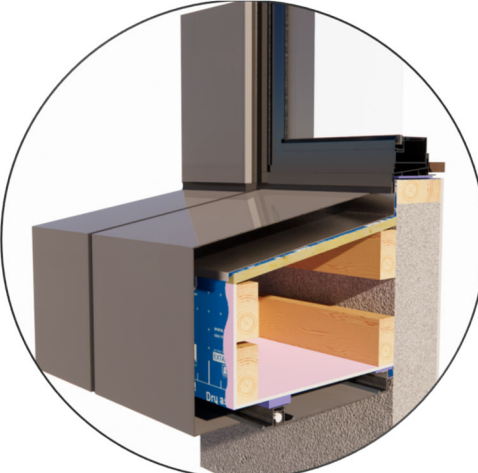
FACTORY FITTED CLEATS  
AT PANEL FOLDS  
BY **FABRICATOR**

HIGH IMPACT PACKERS  
BY **FABRICATOR**  
(INDEPENDENTLY FIXED WHEN  
MORE THAN 2 PACKERS ARE  
USED)

2mm ALUCODUAL  
CLADDING BY **THE  
BUILDING AGENCY**

SPECIFIED RAB BOARD  
OR BUILDING PAPER  
OVER TIMBER FRAMING  
BY **OTHERS**

SELECTED MEMBRANE  
BY **OTHERS**



MIN. 10° FALL

300 MIN TO ADJACENT GROUND  
FOR FIXING ACCESS

HIGH IMPACT PLASTIC  
PACKERS BEYOND AT SOLID  
ALUMINIUM PANEL JOINTS  
BY **FABRICATOR**

ALI. FIXING EXTRUSION  
BY **FABRICATOR**

PRECAST CONCRETE BY **OTHERS**

ADJACENT  
GROUND

## EYEBROW SILL DETAIL

Detail Number \_\_\_\_\_

5.1

Version \_\_\_\_\_

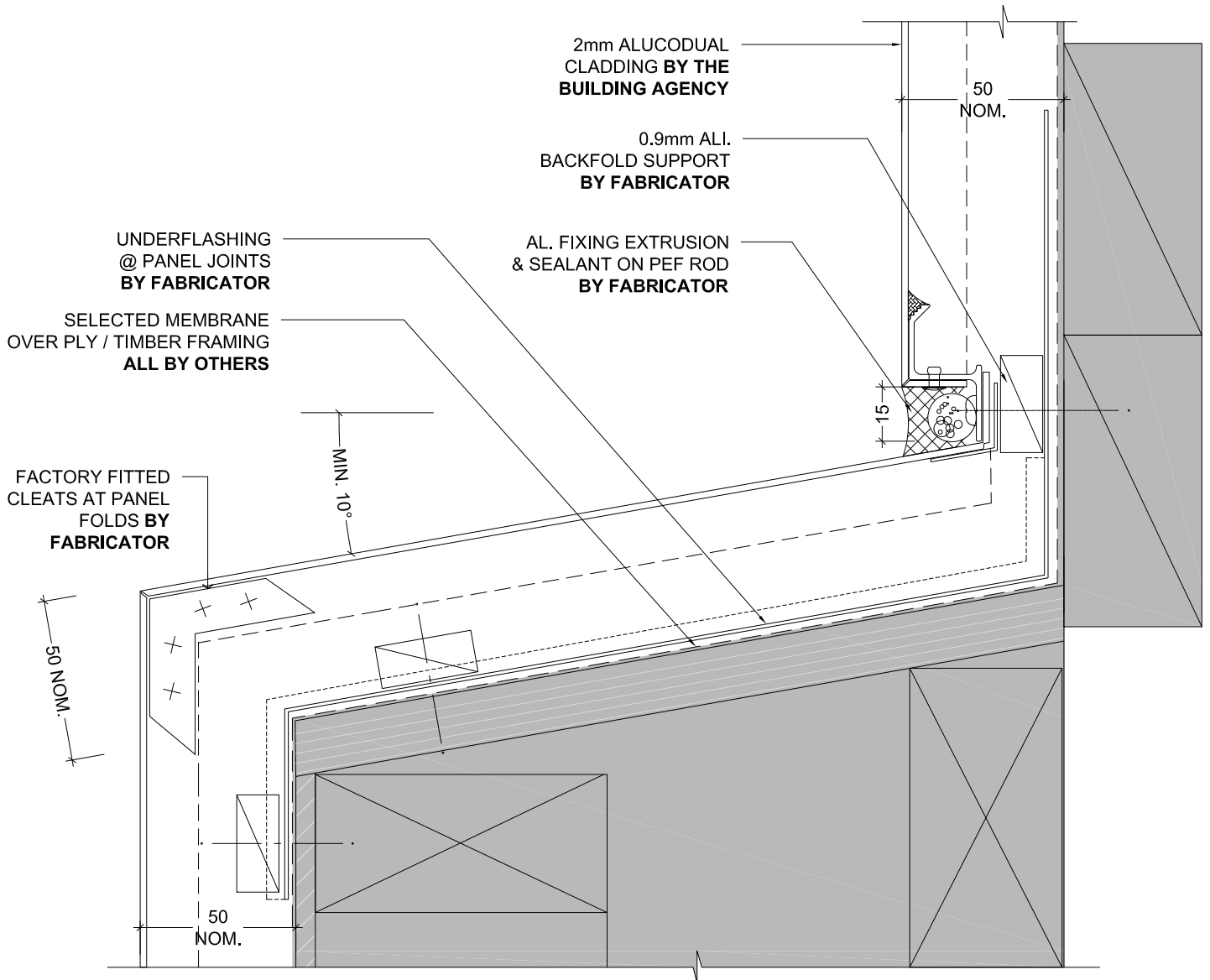
[v1.0]



MATERIALS • SYSTEMS • SOLUTIONS

# ALUCODUAL

WAB SYSTEM



## UPSTAND DETAIL

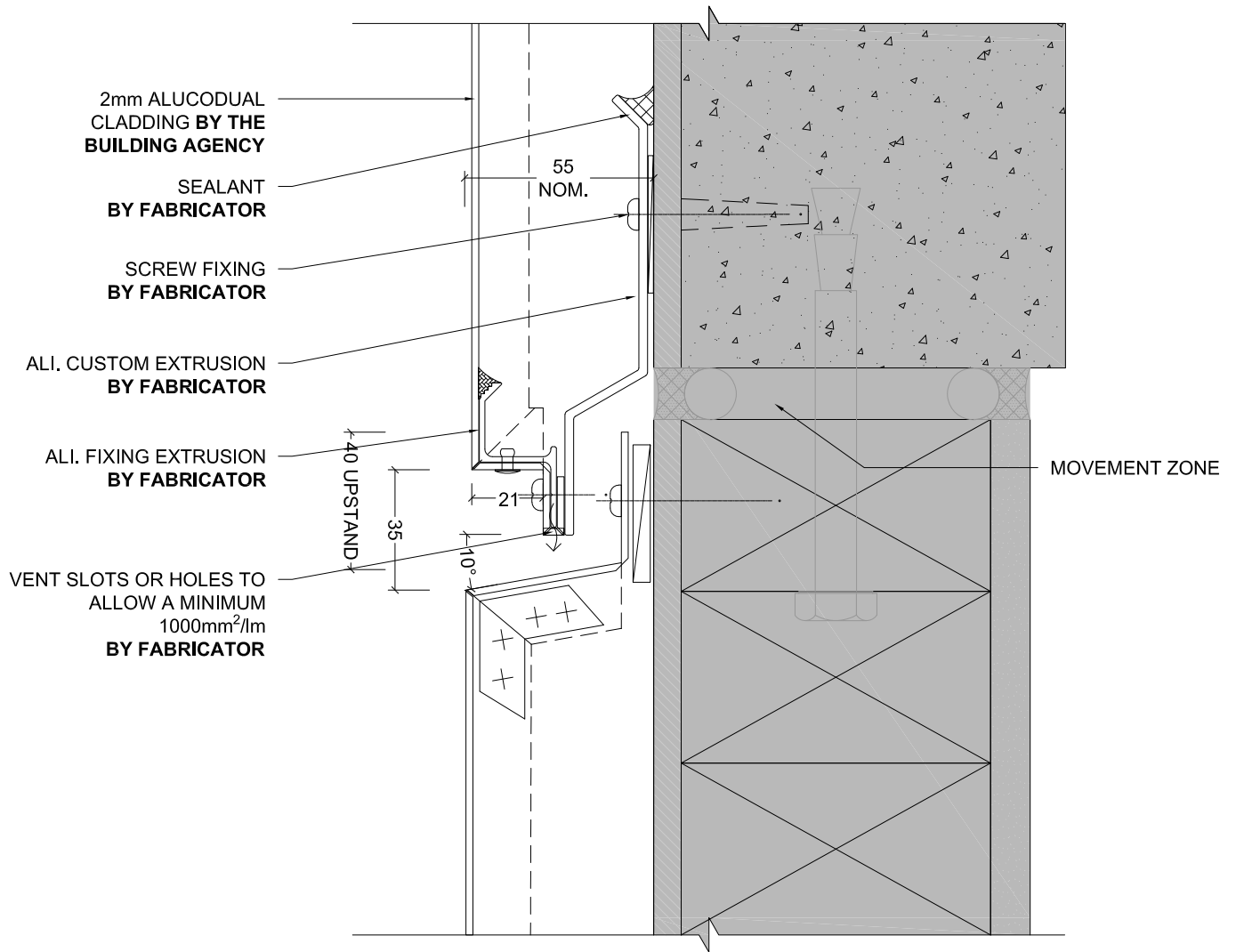
Detail Number \_\_\_\_\_  
Version \_\_\_\_\_

5.2

[v1.0]



MATERIALS • SYSTEMS • SOLUTIONS



## INTER - STOREY JOINT

Detail Number \_\_\_\_\_

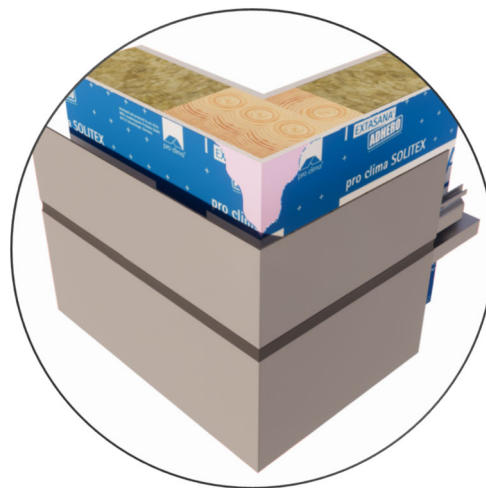
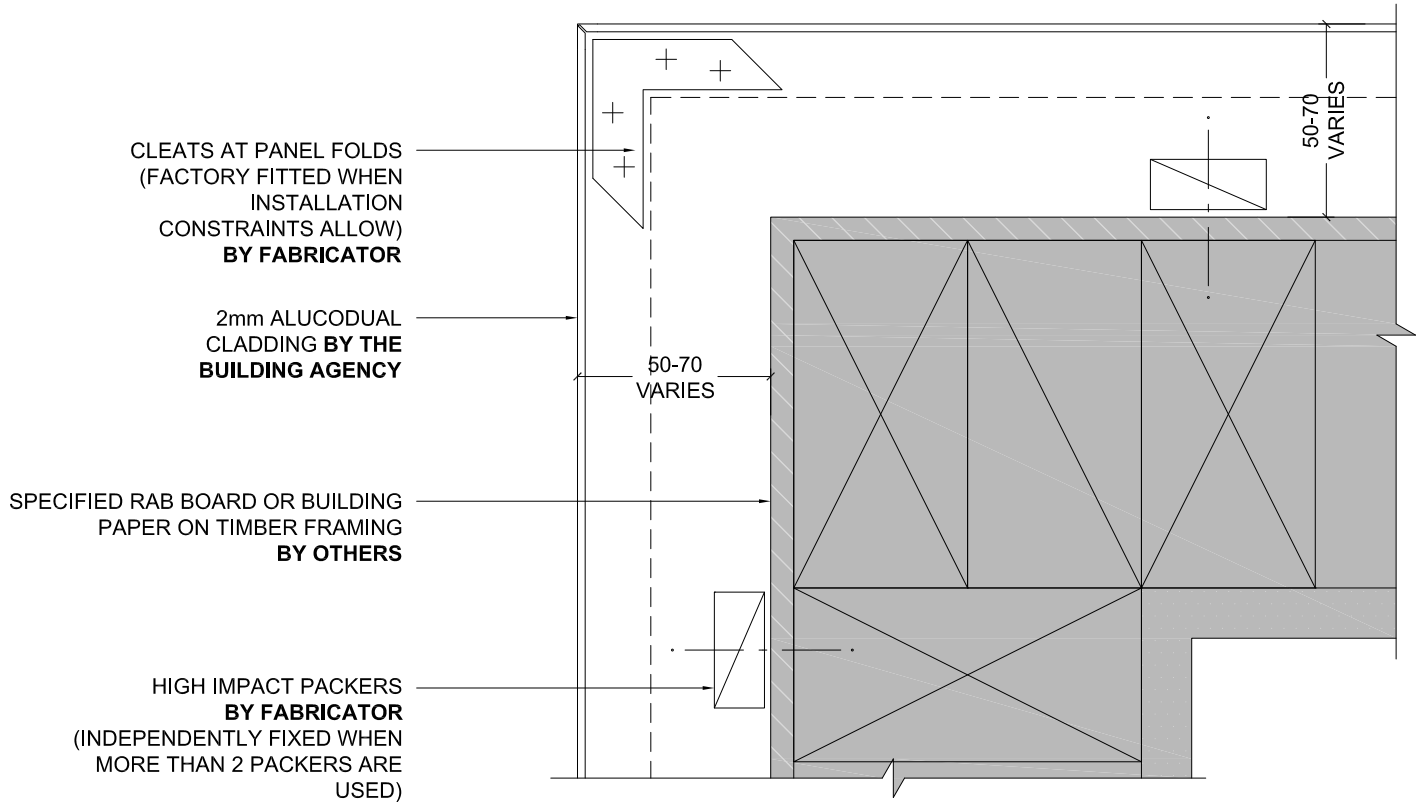
Version \_\_\_\_\_

5.3

[v1.0]



MATERIALS • SYSTEMS • SOLUTIONS



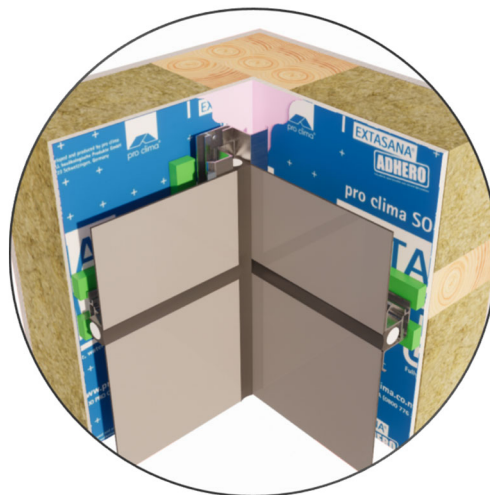
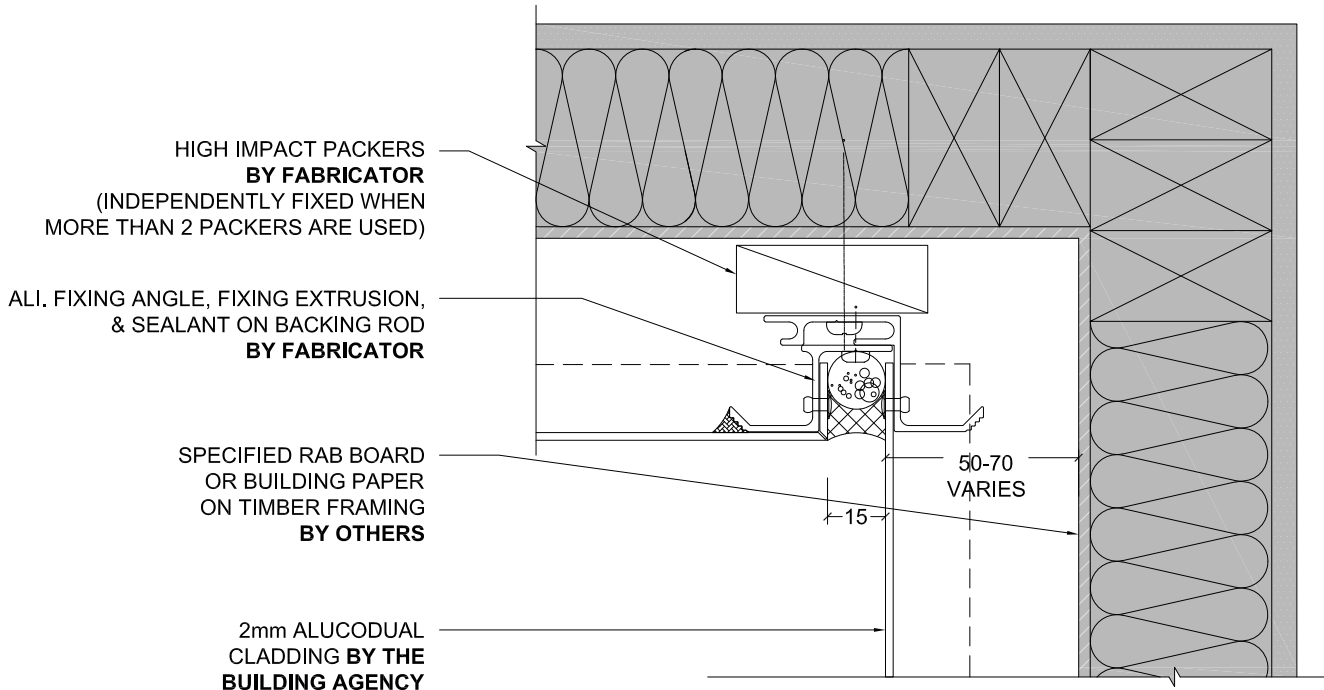
## EXTERNAL CORNER

Detail Number \_\_\_\_\_  
Version \_\_\_\_\_  
[v1.0]



MATERIALS • SYSTEMS • SOLUTIONS





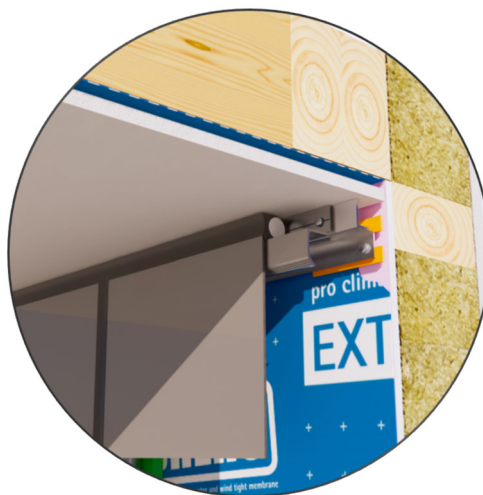
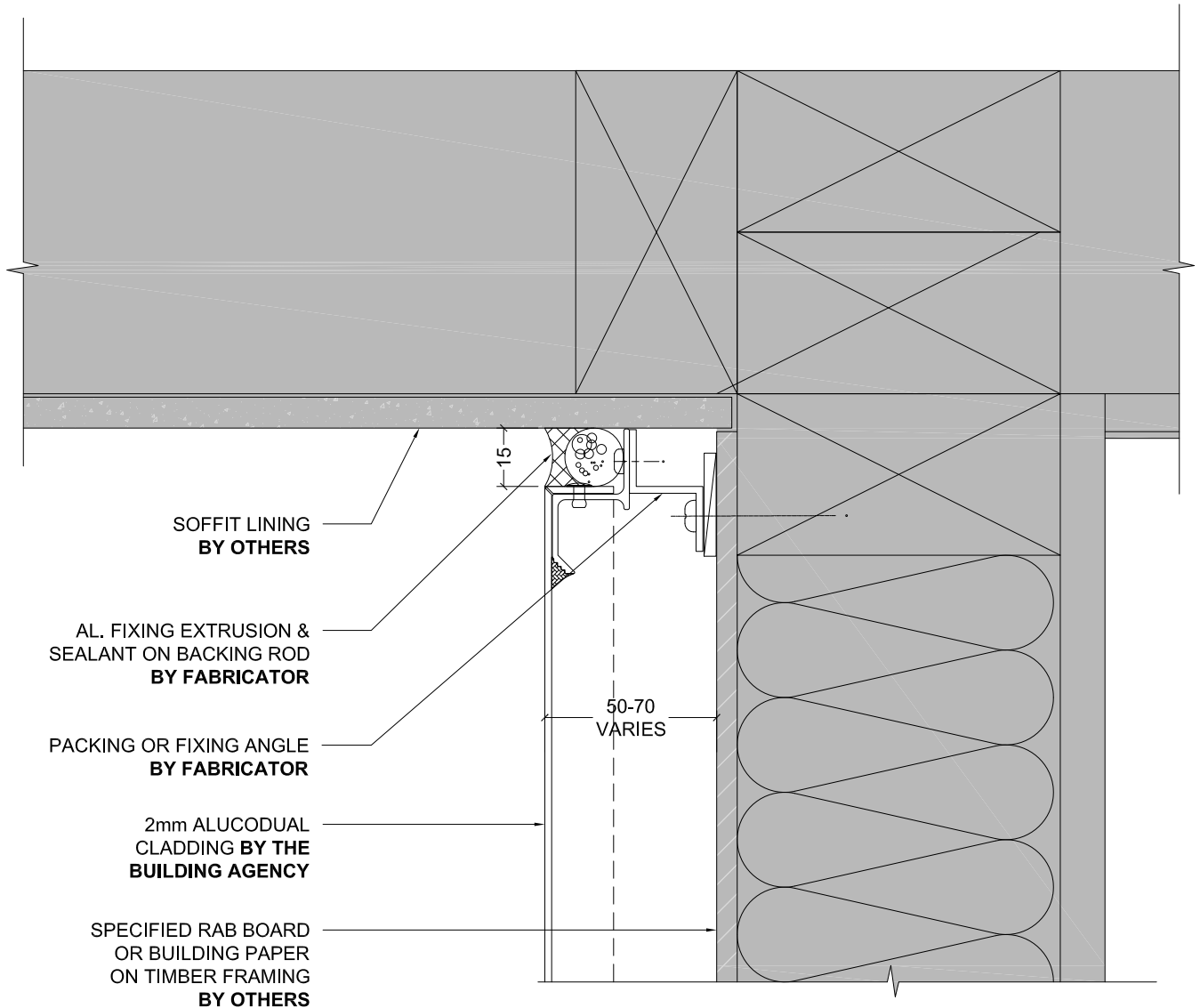
## INTERNAL CORNER

Detail Number \_\_\_\_\_  
Version \_\_\_\_\_  
[v1.0]



MATERIALS • SYSTEMS • SOLUTIONS



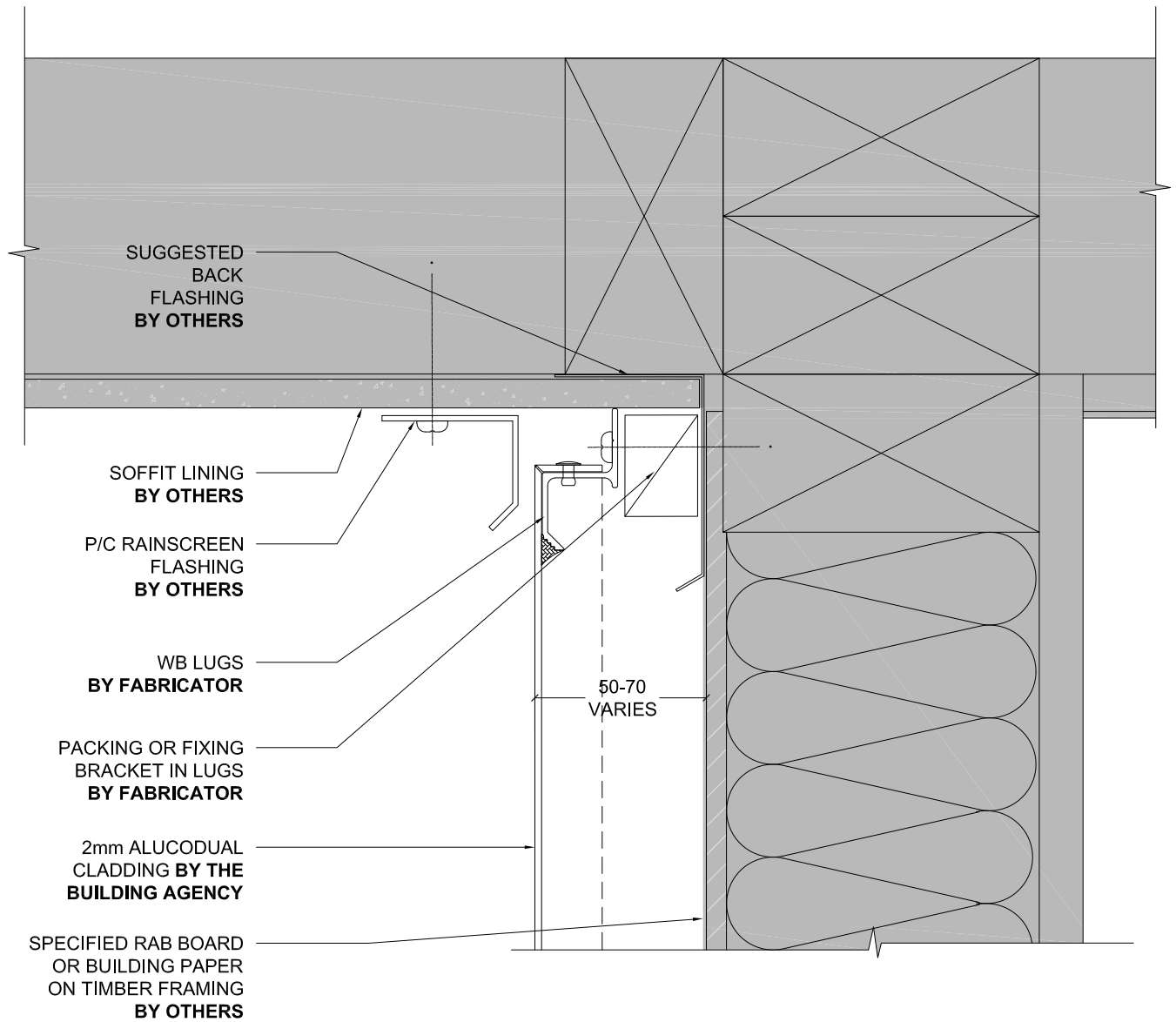


## WALL TO SOFFIT JUNCTION OP 1

Detail Number \_\_\_\_\_  
Version \_\_\_\_\_  
[v1.0]



MATERIALS • SYSTEMS • SOLUTIONS



## WALL TO SOFFIT JUNCTION OP 2

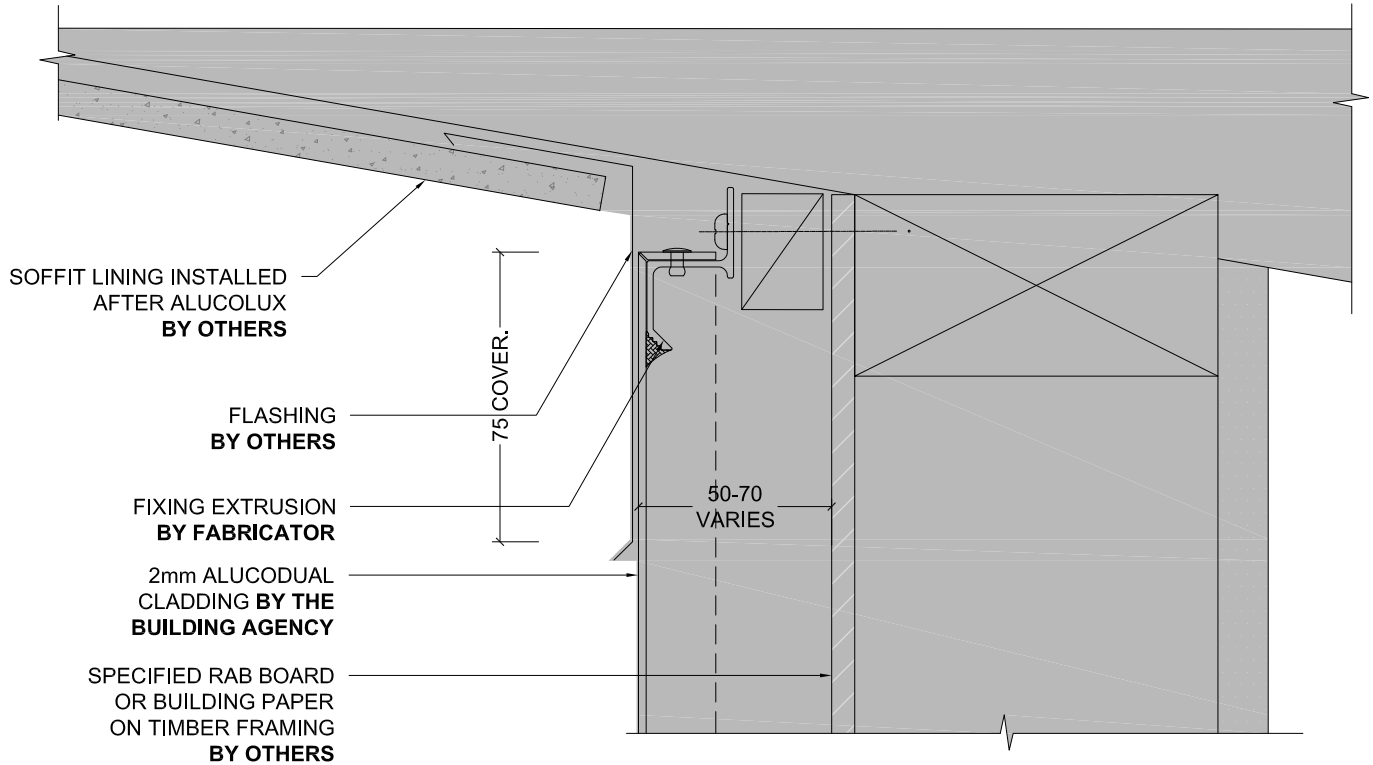
Detail Number \_\_\_\_\_  
Version \_\_\_\_\_

7.1

[v1.0]



MATERIALS • SYSTEMS • SOLUTIONS

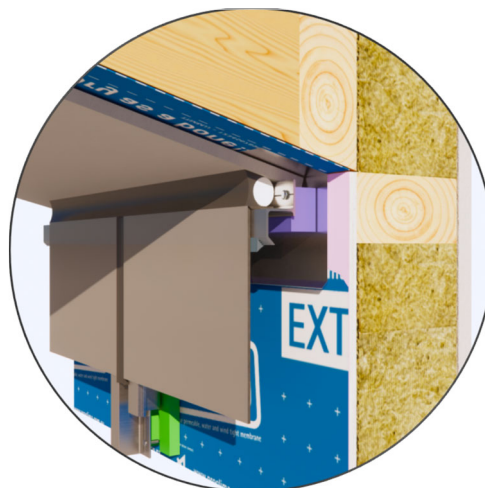
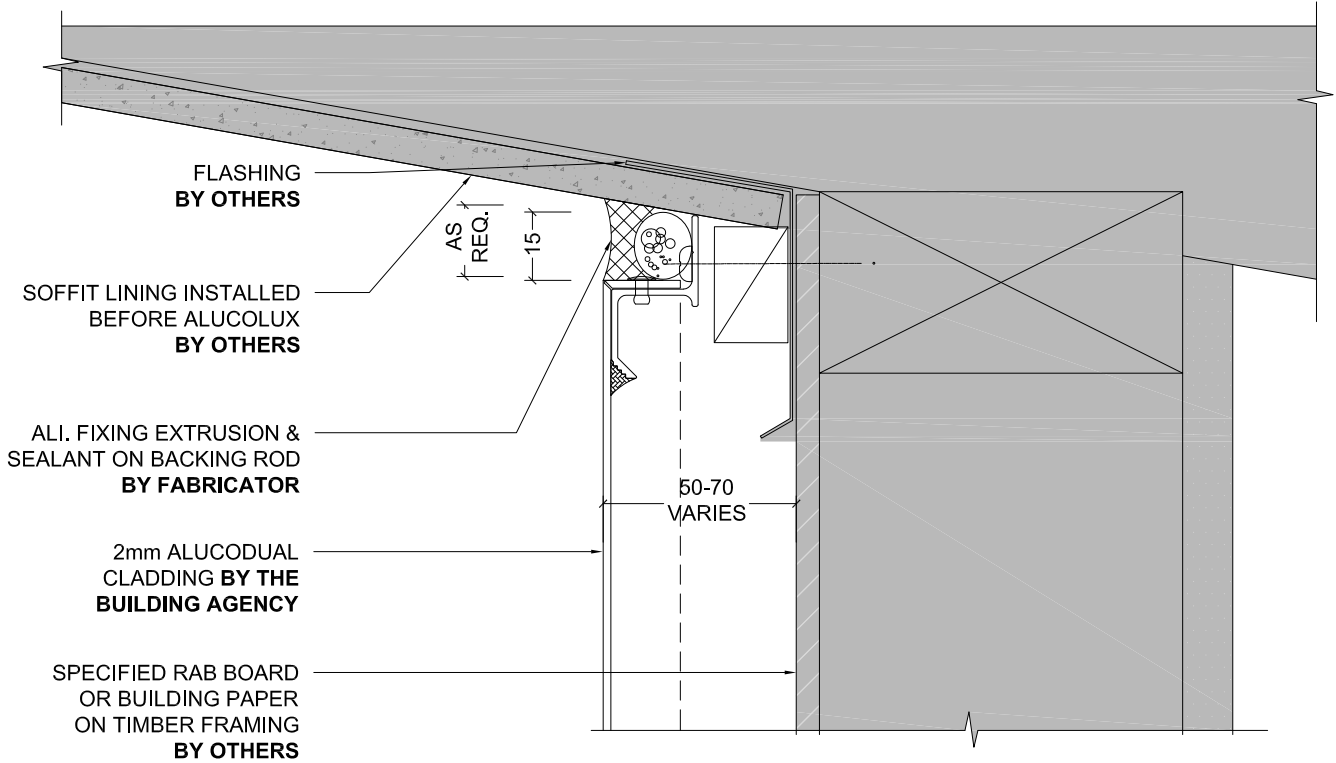


## WALL TO RAKING SOFFIT JUNCTION OP 1

Detail Number \_\_\_\_\_  
Version \_\_\_\_\_  
7.2.0  
[v1.0]



MATERIALS • SYSTEMS • SOLUTIONS



## WALL TO RAKING SOFFIT JUNCTION OP 2

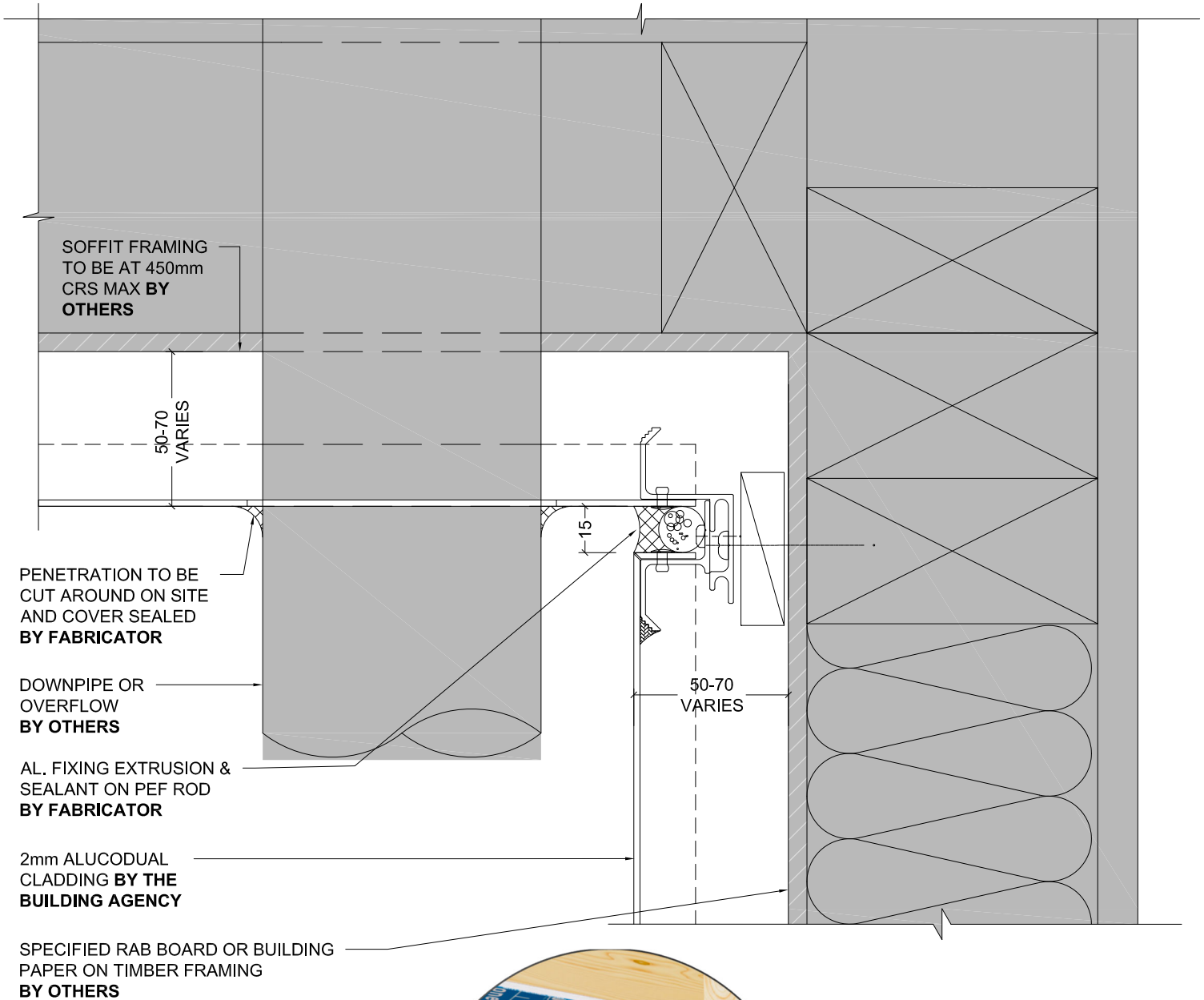
Detail Number \_\_\_\_\_  
Version \_\_\_\_\_

7.2.1

[v1.0]



MATERIALS • SYSTEMS • SOLUTIONS

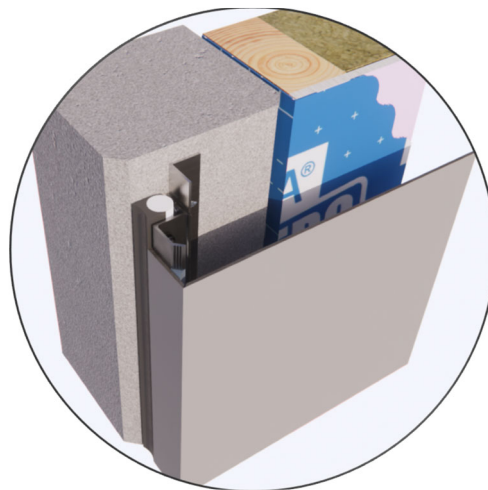
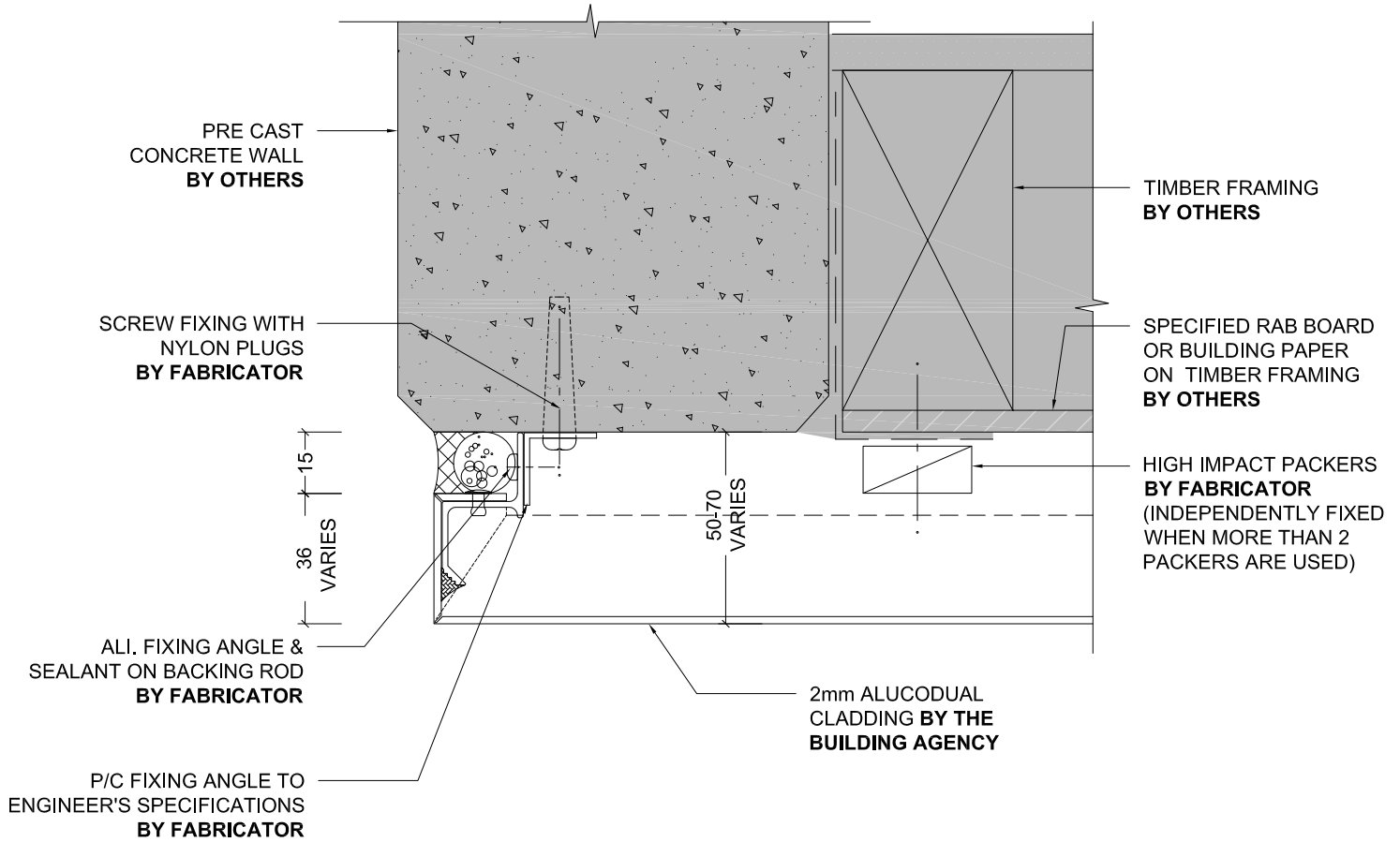


## WALL TO SOFFIT & DOWNPIPE PENETRATION

Detail Number \_\_\_\_\_  
Version \_\_\_\_\_  
[v1.0]



MATERIALS • SYSTEMS • SOLUTIONS



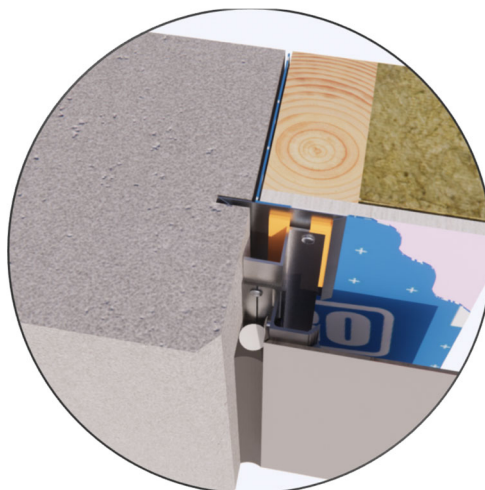
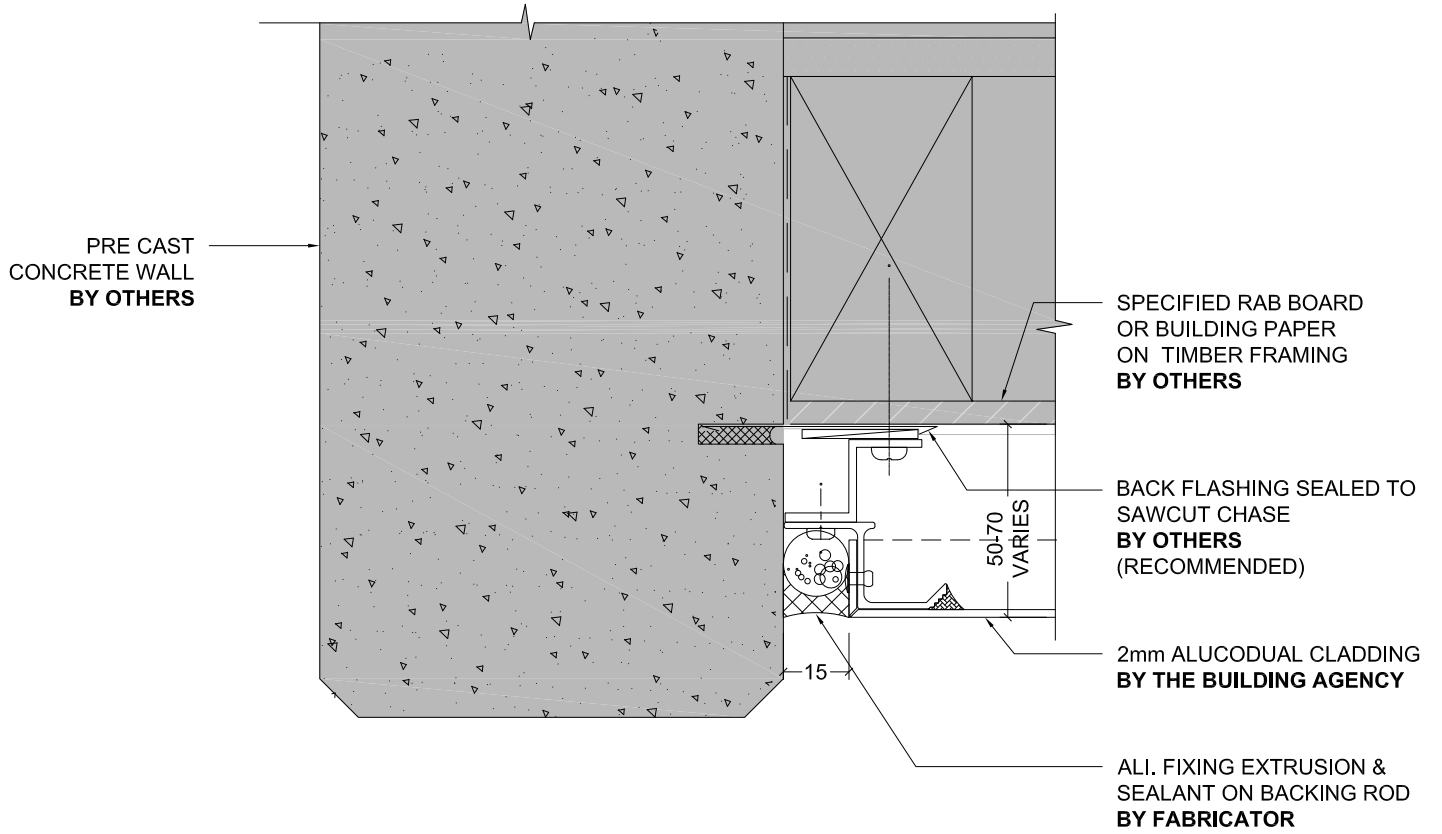
## PRECAST CONCRETE WALL JUNCTION

Detail Number \_\_\_\_\_  
Version \_\_\_\_\_  
8.0  
[v1.0]



MATERIALS • SYSTEMS • SOLUTIONS





**NOTE**  
 Chased flashing is recommended at all vertical concrete junction details. It is the building designer's responsibility to check with applicable local building authorities as to whether this is required

## PRECAST CONCRETE WALL JUNCTION OP 2

Detail Number \_\_\_\_\_  
 Version \_\_\_\_\_  
 8.1  
 [v1.0]



MATERIALS • SYSTEMS • SOLUTIONS