

NOTE:

- HORIZONTAL **MASON'S UNIVERSAL** PLASTIC VENTILATED BATTENS - DO NOT PROVIDE ADDITIONAL FIXING COMPARED WITH **UNI CAP NAILS**
- STUD SPACING MUST BE INSTALLED IN ACCORDANCE WITH MASON'S **UNI - UNI PLUS** FIXING CHART FOR THE RELEVANT WIND ZONE
- **UNI CAP NAILS** AND HORIZONTAL **MASON'S UNIVERSAL** PLASTIC VENTILATED BATTENS MAY BE USED IN CONJUNCTION. MAXIMUM SPACING BETWEEN **UNI CAP NAILS** AND BATTENS FOR THE WIND ZONE MUST BE OBSERVED
- FIT BATTENS AFTER TACKING UP **UNI - UNI PLUS** WITH **UNI CAP NAILS**



MASON'S
Designed Smart, Built Tough

UNI - UNI PLUS
Horizontally fixed Masons Universal
Plastic Ventilated Batten

Scale

1:20

Date

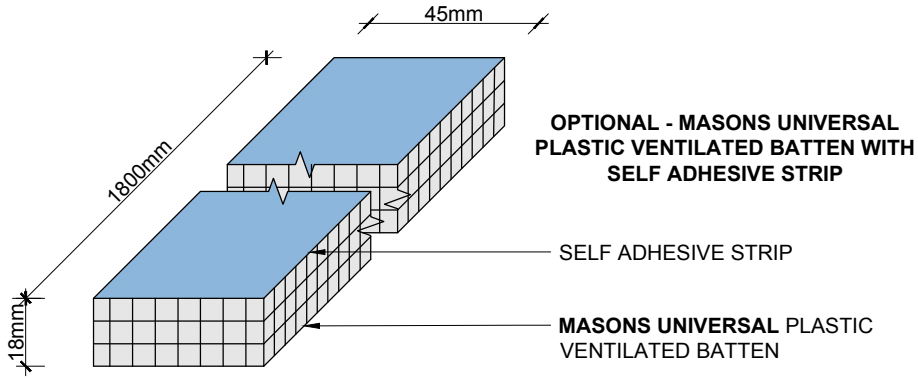
25/05/2024

Drawing Ref No.

UNI.15

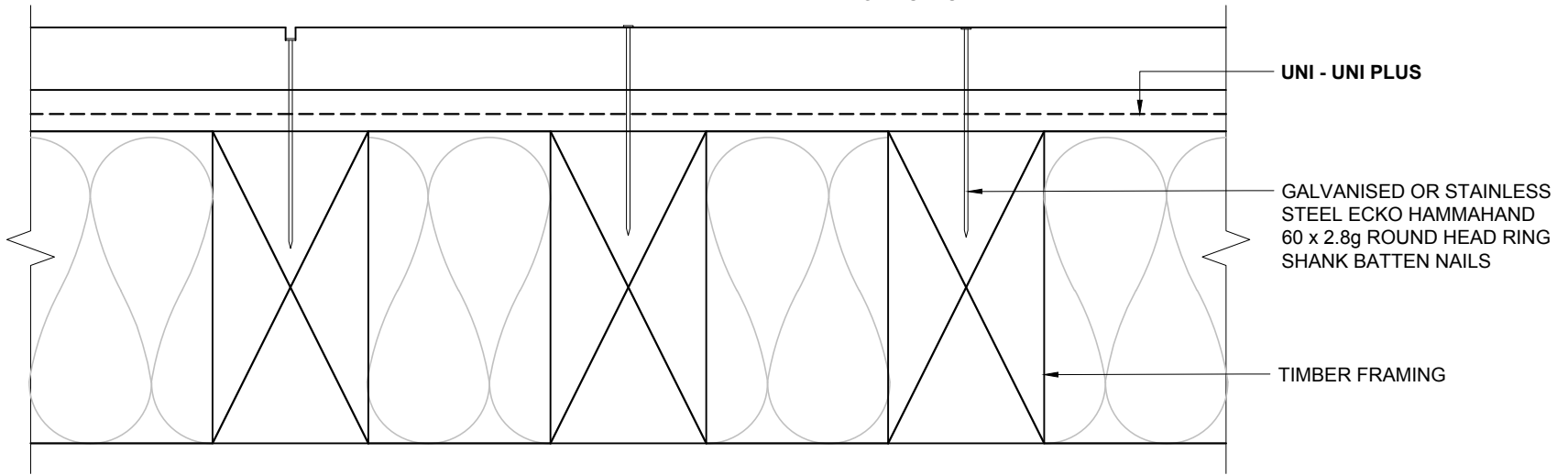
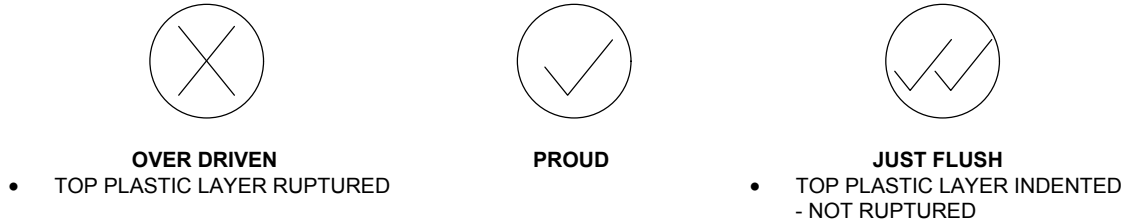


UNI - UNI PLUS
Masons Universal Plastic Ventilated Batten



NOTE:

- BATTENS MAY BE FIXED BY HAND, OR BY USING AN ECKO HAMMAHAND PNEUMATIC COIL NAILER
- ADJUST PRESSURE OR DEPTH SETTING OF THE ECKO HAMMAHAND GUN TO ACHIEVE CORRECT SEATING OF THE ROUND HEAD BATTEN NAIL
- CALIBRATE HAMMAHAND REGULARLY THROUGHOUT THE JOB
- IF A NAIL IS OVER DRIVEN - CALIBRATE GUN AND RE-NAIL WITHOUT RUPTURING THE TOP LAYER OF THE BATTEN
- MIN. NAIL SPACING IS 200mm TO MAX. 300mm FOR ALL WIND ZONES AND FRAMING CENTRES WHEN FIXED VERTICALLY



Scale 1:2
Date 25/05/2024

Drawing Ref No. UNI.16



MASONS
Designed Smart, Built Tough

Vertical Masons Universal Plastic Ventilated Battens
*any wind zone - any stud spacing (excluding SED)

UNI - UNI PLUS

Scale

1:20/ 1:2

Date

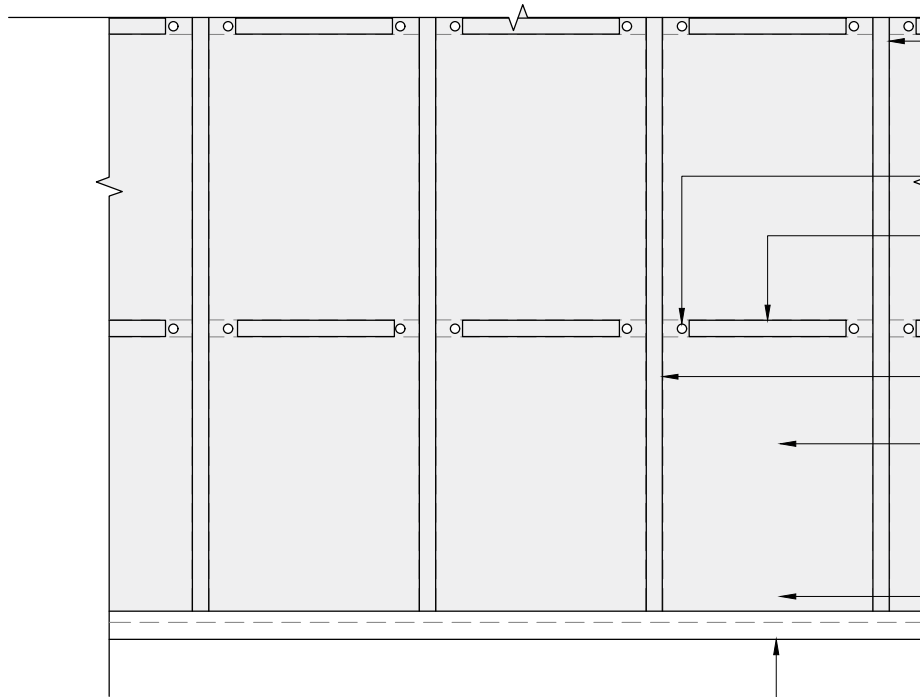
25/05/2024

Drawing Ref No.

UNI.17

18a David McEachthie Place, Silverdale, Auckland 0832, New Zealand 0800 522 533 info@mpb.co.nz www.mpb.co.nz

SPACING TO SUIT
CLADDING SYSTEM



VERTICAL **MASONS UNIVERSAL** PLASTIC VENTILATED BATTEN NAILED AT MIN. 200mm TO MAX. 300mm CENTRES USING GALVANISED OR STAINLESS STEEL ECKO HAMMAHAND 60 x 2.8g ROUND HEAD RING SHANK BATTEN NAILS

PLAN PLACEMENT OF **UNI CAP NAILS** TO NOT FOUL BATTENS

CAVITY SPACERS - **MASONS UNIVERSAL** PLASTIC VENTILATED NAILED HORIZONTALLY AT MIN. 200mm TO MAX. 300mm CENTRES USING GALVANISED OR STAINLESS STEEL ECKO HAMMAHAND 60 x 2.8g ROUND HEAD RING SHANK BATTEN NAILS

FRAMING AT CENTER SETOUT AS PER **UNI - UNI PLUS** FIXING CHART

UNI - UNI PLUS FIXED TO FRAMING WITH HORIZONTAL **MASONS UNIVERSAL** PLASTIC VENTILATED BATTEN, NAILED HORIZONTALLY USING GALVANISED OR STAINLESS STEEL ECKO HAMMAHAND 60 x 2.8g ROUND HEAD RING SHANK BATTEN NAILS

USE WRAP STRAP AT 300mm CTRS TO RESTRAIN **UNI - UNI PLUS** OVER 600mm STUD CTRS. WRAP STRAP IS NOT REQUIRED FOR OTHER STUD CENTERS OR FOR BRICK VENEER WHEN FITTED TAUT

MASONS E2 REDWAY UPVC CAVITY CLOSER

NOTE:

- **UNI - UNI PLUS** IS TACKED TO THE FRAMES USING **UNI CAP NAILS**
- FIX BATTENS WITHOUT DELAY - BATTENS ARE THE PRIMARY FIXING

