



## General and product information

### DESCRIPTION - MASONS PRODUCT CODE: BFFL.5X650X6

Masons Insul-Baffle is a crenelated semi-rigid synthetic spacer. Made from clear PVC plastic. It is installed over the rafters or truss top chords typically near the eaves where it is likely bulk thermal insulation may push up against the roof underlay.

- › Dimensions: 45mm H x 650mm W x 6Lm
- › Sold in a 2-roll carton, in rolls 650mm wide by 6m long.

### PURPOSE

Masons Insul-Baffle is designed to separate roof underlay from bulk insulation where these elements may come into contact, or the required minimum 25mm gap between them cannot be maintained. It assists in meeting the requirements of NZS 4246:2016.6.2.10.

It also allows a path for air movement as part of a passive – stack ventilated roof space design. Masons Insul-Baffle incorporates ‘Dragon Channels’ to increase rigidity and aid air to cross flow.

### OPEN AREA

A minimum 25mm air gap between insulation and the roof underlay is required. This equates to an open area of 25,000mm<sup>2</sup> per Lm. Masons Insul-Baffle meets this requirement.

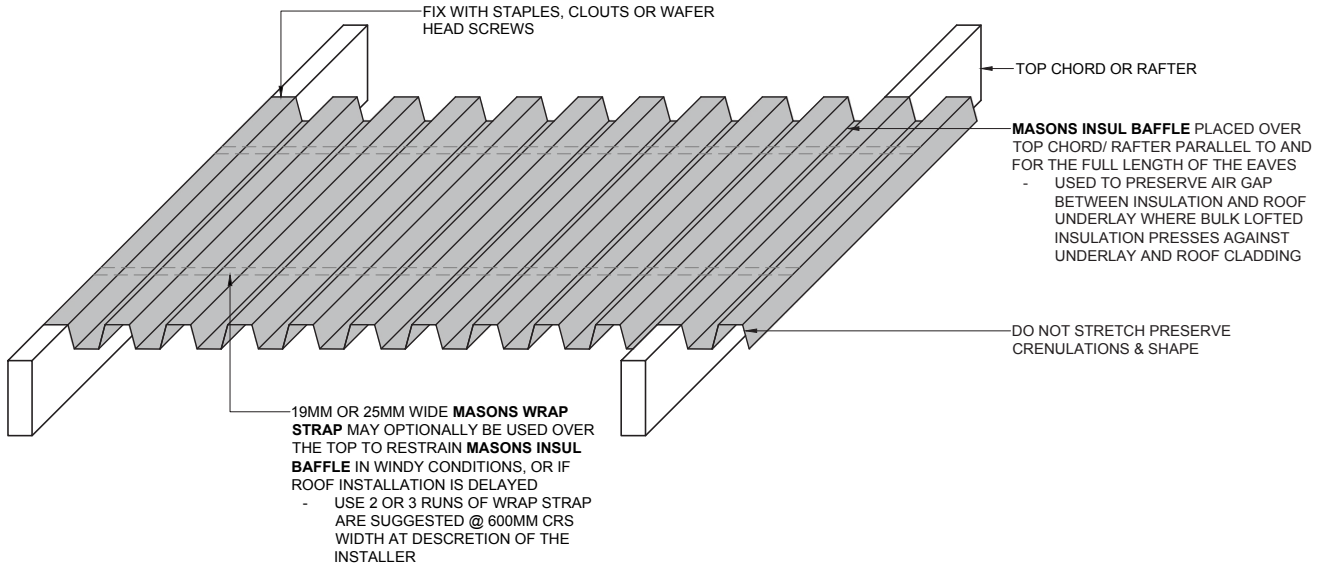
### MATERIAL CHARACTERISTICS

Insul-Baffle is made from Thermoplastic polymer PVC (polyvinyl chloride). It has high strength and toughness, good abrasion and heat resistance, low creep at elevated temperatures, good chemical resistance and excellent dimensional stability.

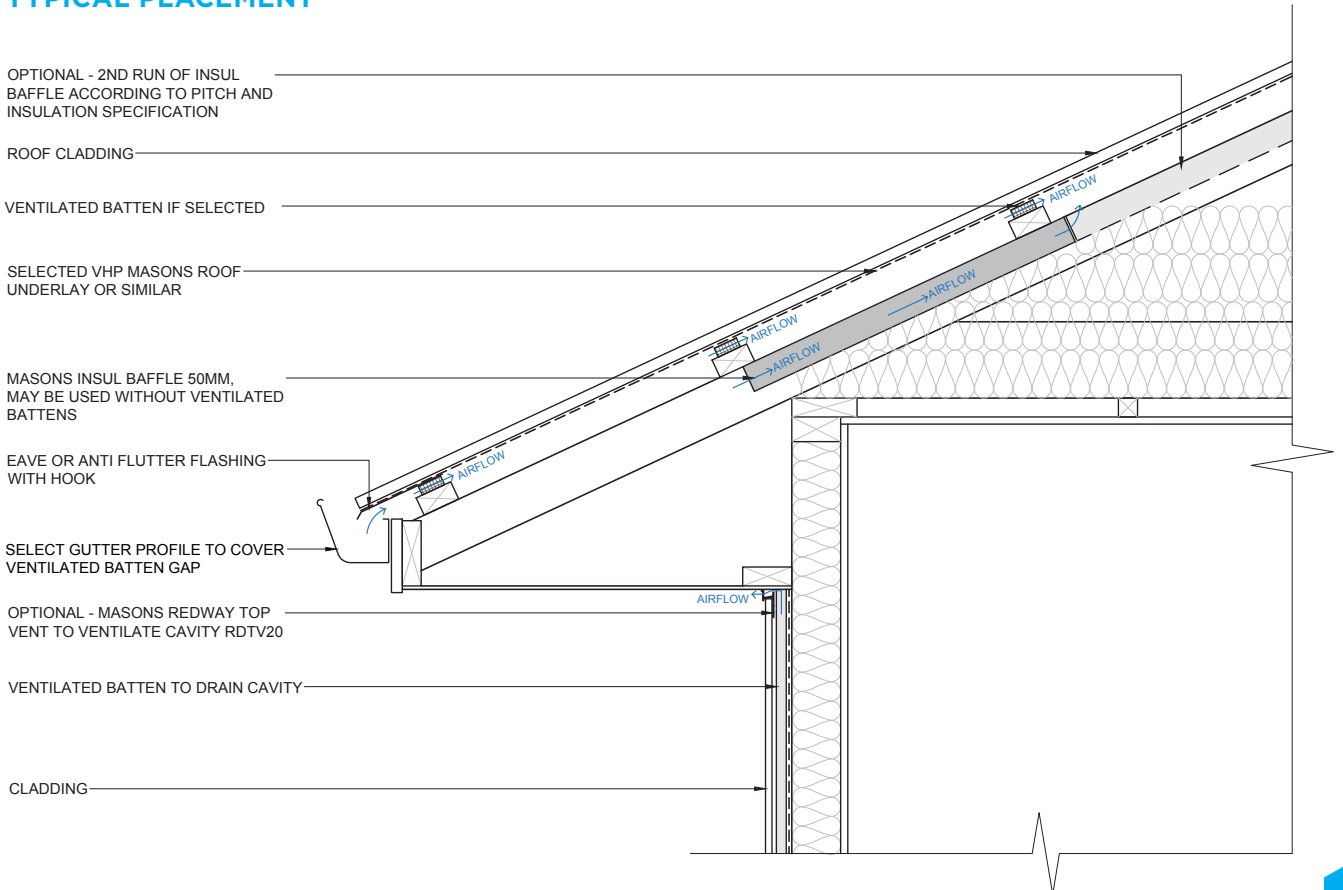
- › Insul-Baffle is not classed as hazardous, and does not require special provisions when being transported or stored. It should not be disposed of by being burned. If it is cut with a hot wire, any vapours released should not be inhaled.



**OPEN AREA > 25,000mm<sup>2</sup>**



**TYPICAL PLACEMENT**





## HANDLING

Insul-Baffle can produce sharp edges when cut - take care when handling cut or part pieces. Gloves may be required.

Insul-Baffle can occasionally shatter when being stapled into, take care - modify technique such as adjusting the staples used or stapler settings. Eye protection is advisable when stapling or nailing Insul-Baffle to the rafters or truss top chords.

## WARRANTY

15 years, installed per instructions. Durability is expected to be for the life of the roof cladding or roof underlay.

## LIMITATIONS

Install roof cover within 21 days of installing Insul-Baffle.

## MAINTENANCE

No maintenance requirements.

## STORAGE

Store in cool, dry conditions in original cardboard boxes until installation.

## RECYCLABILITY

Clear PVC maybe recyclable. Masons recommend contacting the local council or waste stream recycling providers in your locality for advice on who can accept clean, dry, fixing free Masons Insul-Baffle for recycling.

## DISPOSAL

Masons recommends unused products and clean pre used Insul-Baffle is recycled as a first option. Do not dispose of by burning. Landfill may be considered if recycling is not possible.

## OTHER INFORMATION

Early batches of Insul-Baffle were made of PET. Batches sold from 1 March 2025 are made of clear PVC.