

Insul-Baffle



Separates roof underlay from bulk insulation to create air flow

- **MAINTAINS AIR GAP:**
Ensuring compliance and optimal performance.
- **SUPPORTS VENTILATION:**
Facilitates air movement in passive roof ventilation designs, contributing to a healthy roof space.
- **VERSATILE:**
For new or re-roofs, in timber or light steel-framed, with trusses or rafters, and long run or metal tile clad.



MASONS
Designed Smart, Built Tough.

Ensure the longevity and effectiveness of your roof insulation with Masons Insul-Baffle.

PURPOSE

Masons Insul-Baffle is a crenelated, semi-rigid synthetic spacer designed to maintain a critical 25mm air gap between roof underlay and bulk insulation, ensuring compliance with NZS 4246:2016.6.2.10.

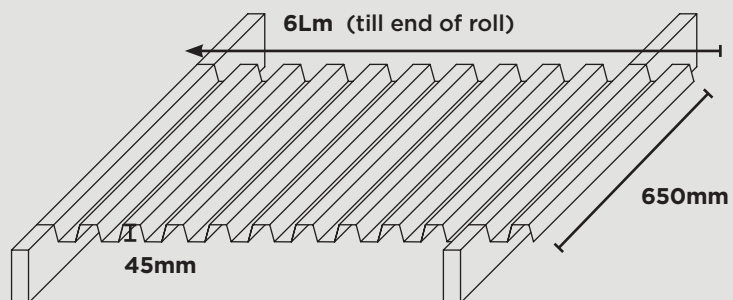
By preserving this gap, the Insul-Baffle supports proper air circulation in passive roof ventilation systems. Made from clear PET plastic it is installed typically over the rafters and truss top chords near the eaves where it is most likely that bulk thermal insulation may push up against the roof underlay.

LIMITATIONS

- Not suitable for Skillion roofs, which require different design solutions.

PRODUCT DETAILS

- **Sold in a roll:**
650mm wide by 6m long (2-roll carton)



| Description | Size | Masons Code |
|-------------------------------------|--------------------|--------------|
| Insul-Baffle separator - 2 pack box | 45mm x 650mm x 6Lm | BFFL.5X650x6 |