



MASONS
Designed Smart, Built Tough.

UNI & UNI Plus Double Layer 180 days

General Setout on Studs with UNI Fasteners

* UNI fasteners & UNI cap nails are used interchangeably

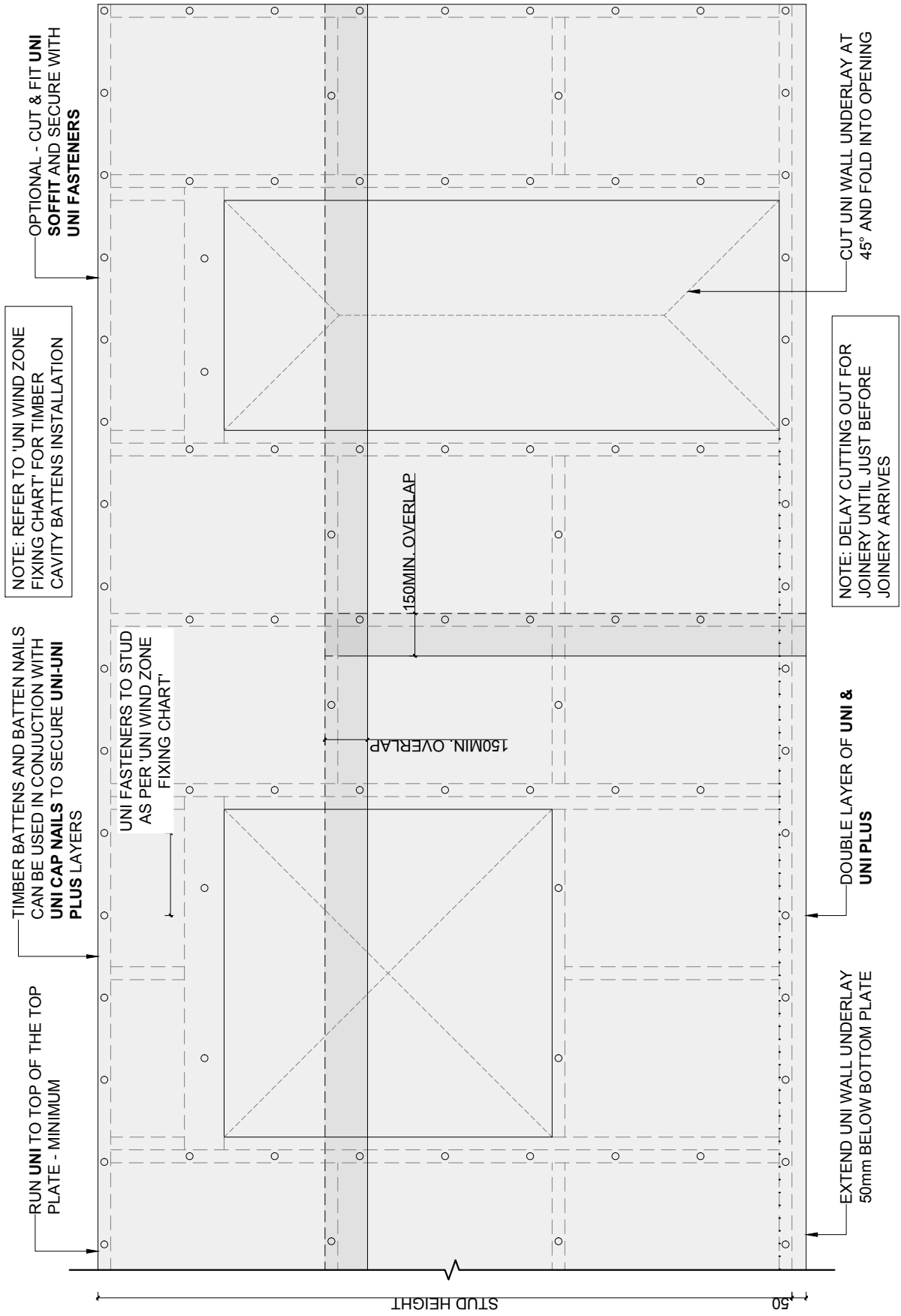
Scale

1:20

Date

Drawing No.

UNI.DL.01





MASONS
Designed Smart, Built Tough.

UNI & UNI Plus Double Layer 180 days

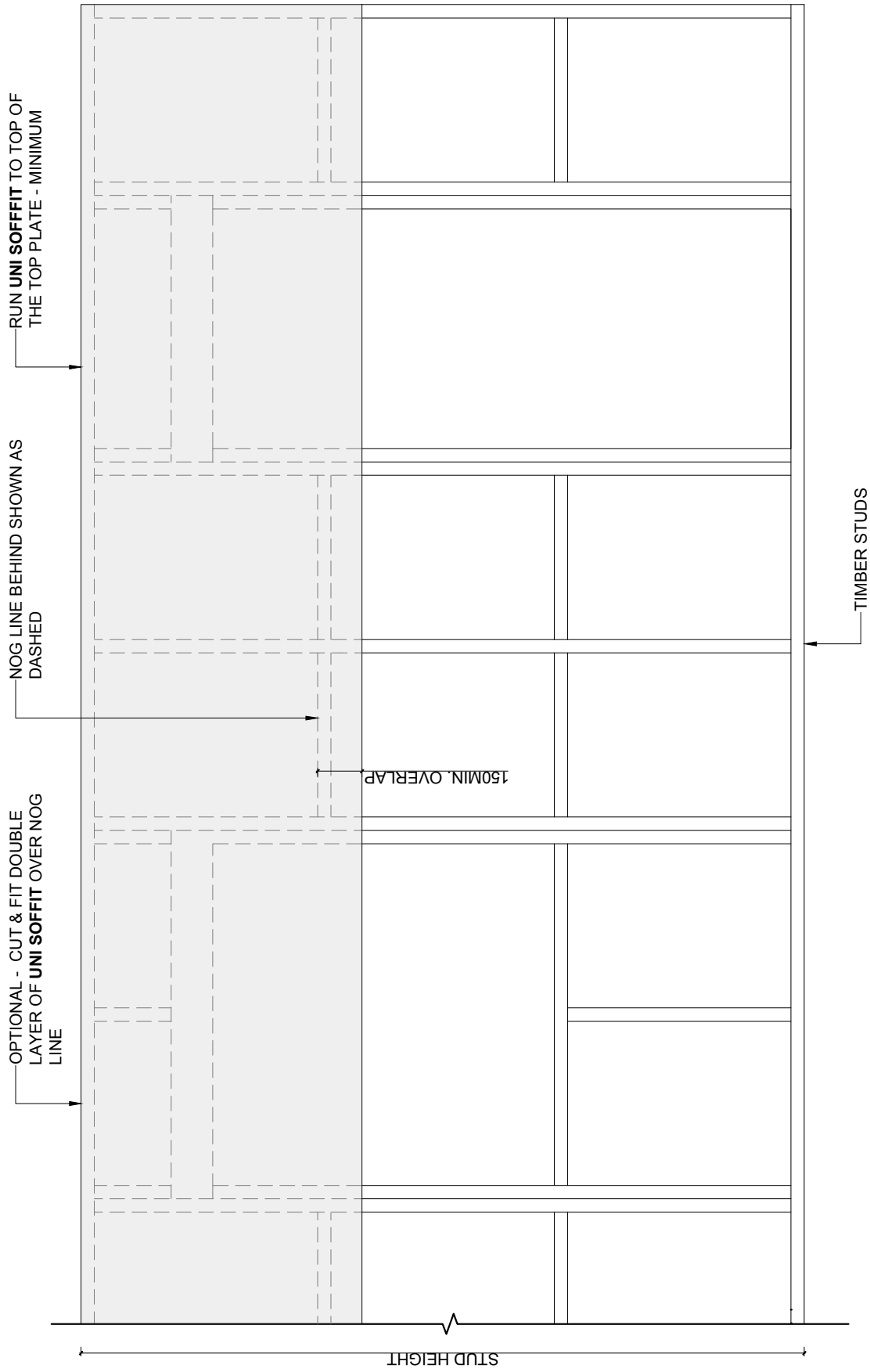
General Setout on Studs
UNI Soffit Installation - Optional

Scale 1:20

Date

Drawing No.

UNI.DL.02





MASONS
Designed Smart, Built Tough.

UNI & UNI Plus Double Layer 180 days

General Setout on Studs
First Layer of UNI/ UNI Plus Installation

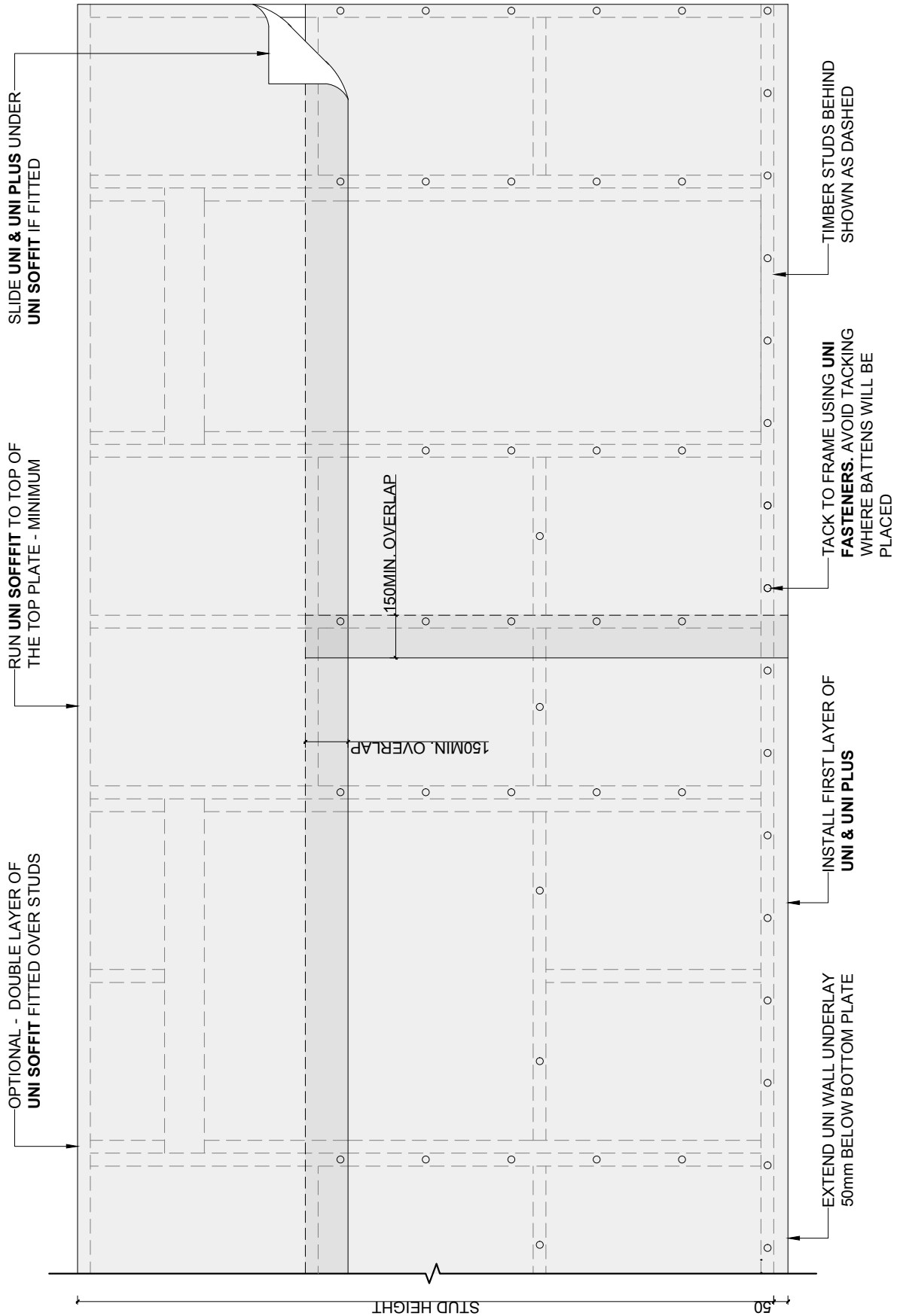
Scale

1:20

Date

Drawing No.

UNI.DL.03





MASONS
Designed Smart, Built Tough.

UNI & UNI Plus Double Layer 180 days

General Setout on Studs
Second Layer of UNI/ UNI Plus Installation

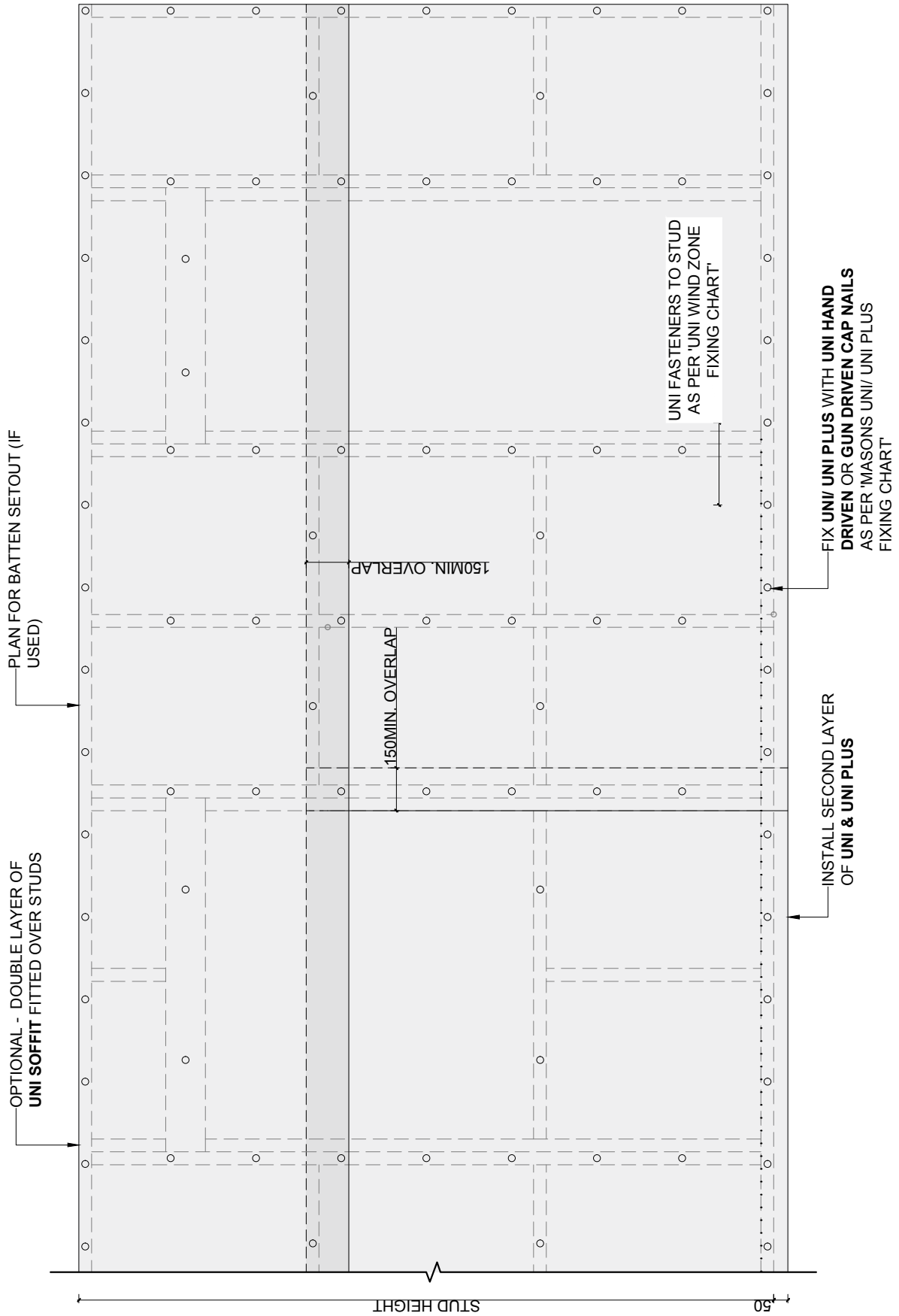
Scale

1:20

Date

Drawing No.

UNI.DL.04





MASONS
Designed Smart, Built Tough.

UNI & UNI Plus Double Layer 180 days

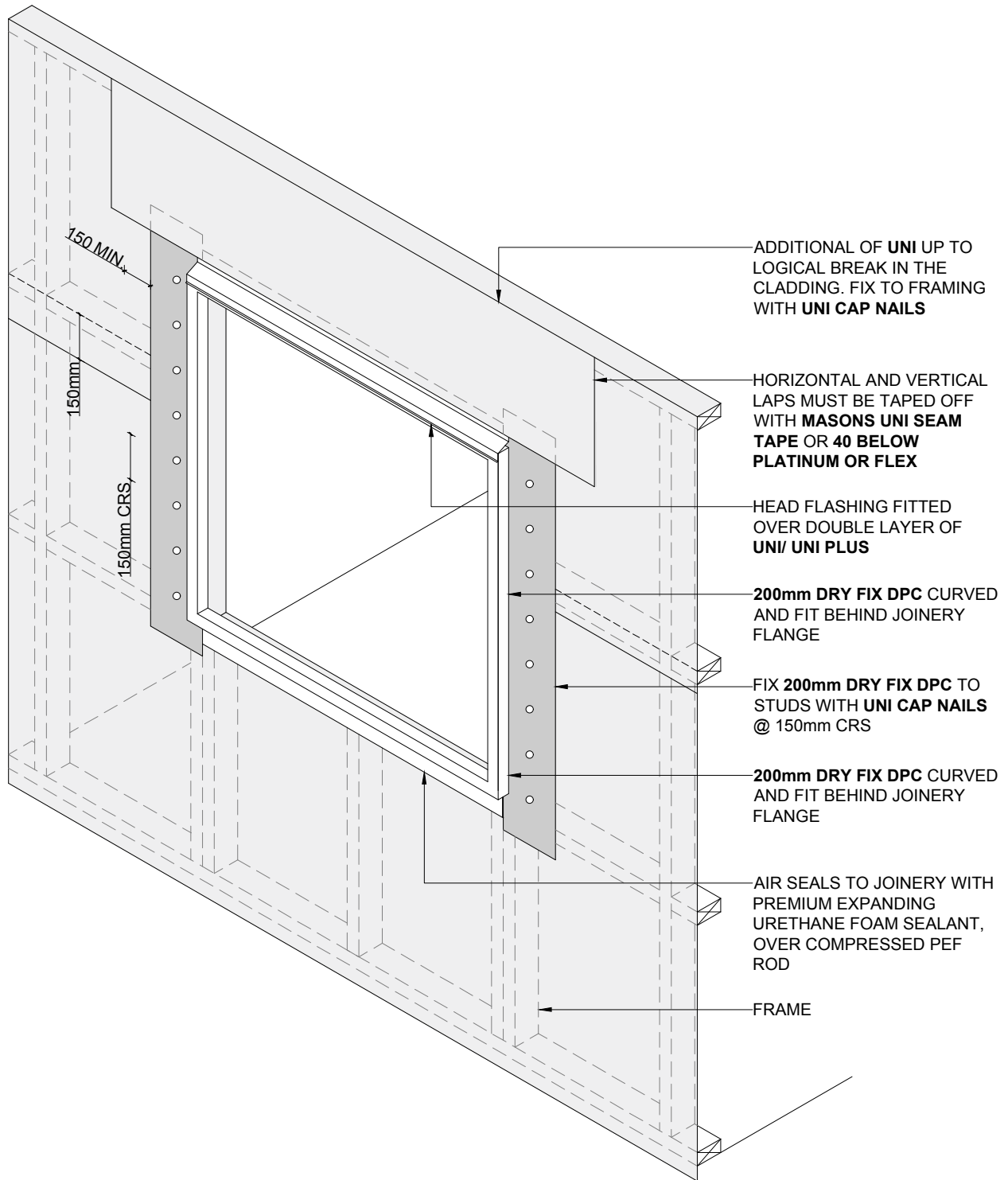
General Setout on Timber Frame - Additional Layer of UNI over Head Flashing

Scale 1:20

Date

Drawing No.

UNI.DL.05





MASONS
Designed Smart, Built Tough.

UNI & UNI Plus Double Layer 180 days

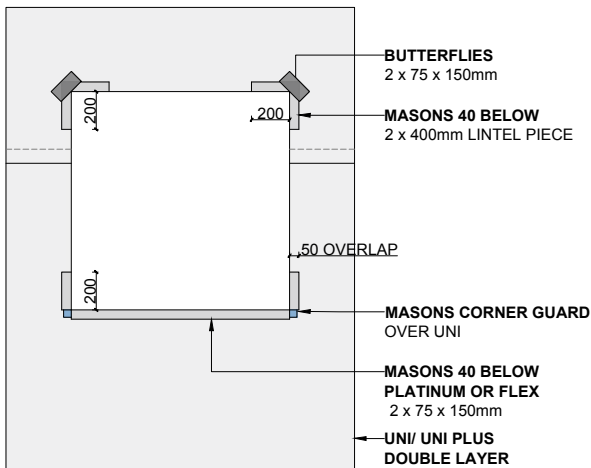
Window Installation

Scale 1:40

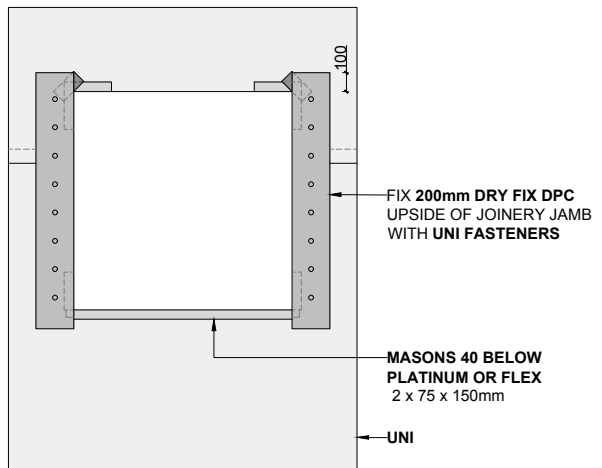
Date

Drawing No.

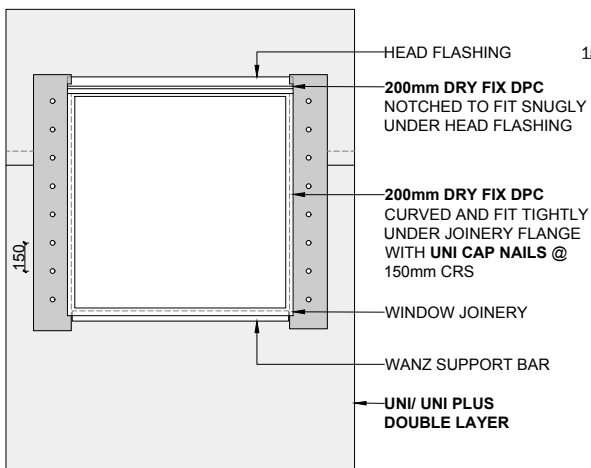
UNI.DL.06



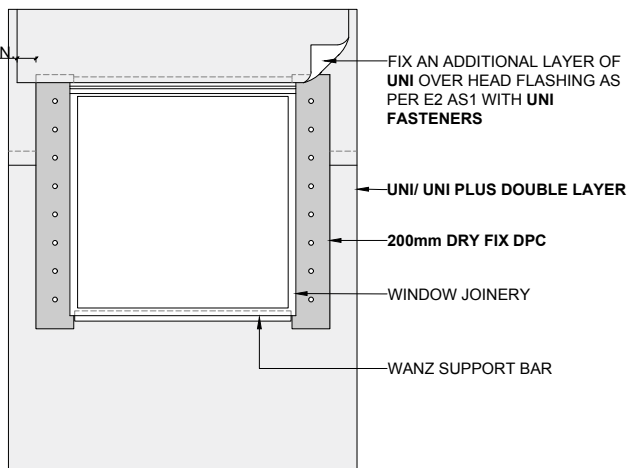
STEP ONE



STEP TWO



STEP THREE



STEP FOUR



MASONS
Designed Smart, Built Tough.

UNI & UNI Plus Double Layer 180 days

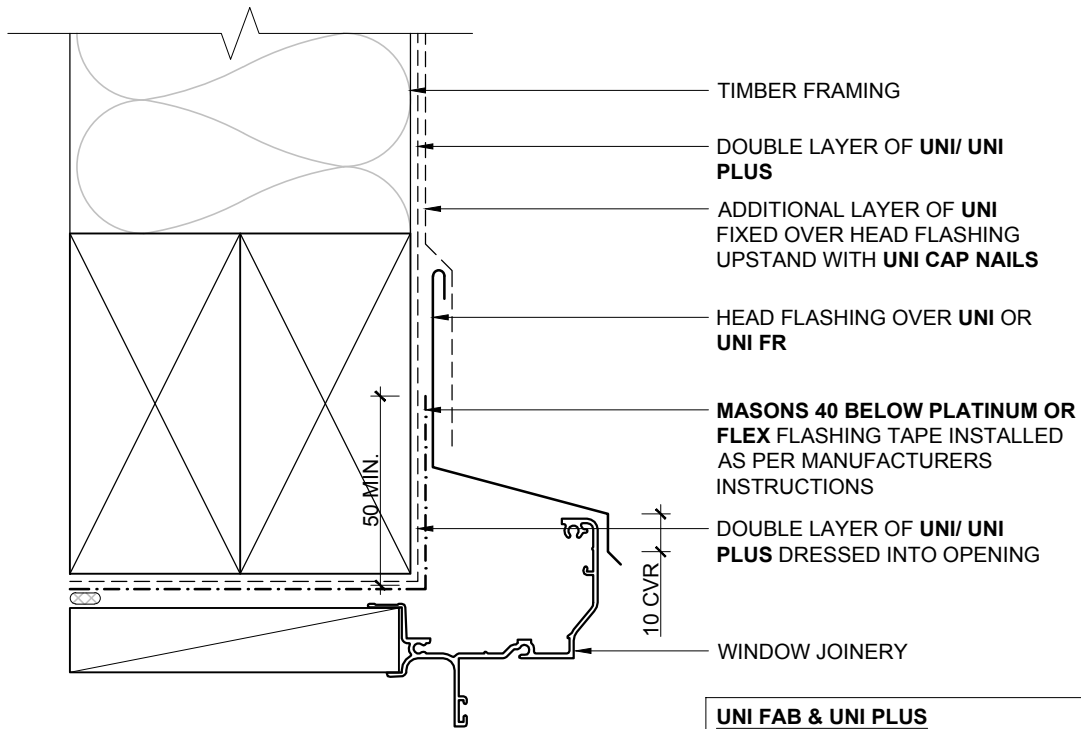
Window Head Flashing to UNI & UNI Plus

Scale 1:2

Date

Drawing No.

UNI.DL.07



ADDITIONAL UNI OVER HEAD FLASHING

UNI FAB & UNI PLUS
MANDATORY FOR VERY HIGH AND EXTRA HIGH WIND ZONE. RECOMMENDED FOR ALL WIND ZONES

UNI PRO
MANDATORY FOR ALL WIND ZONES



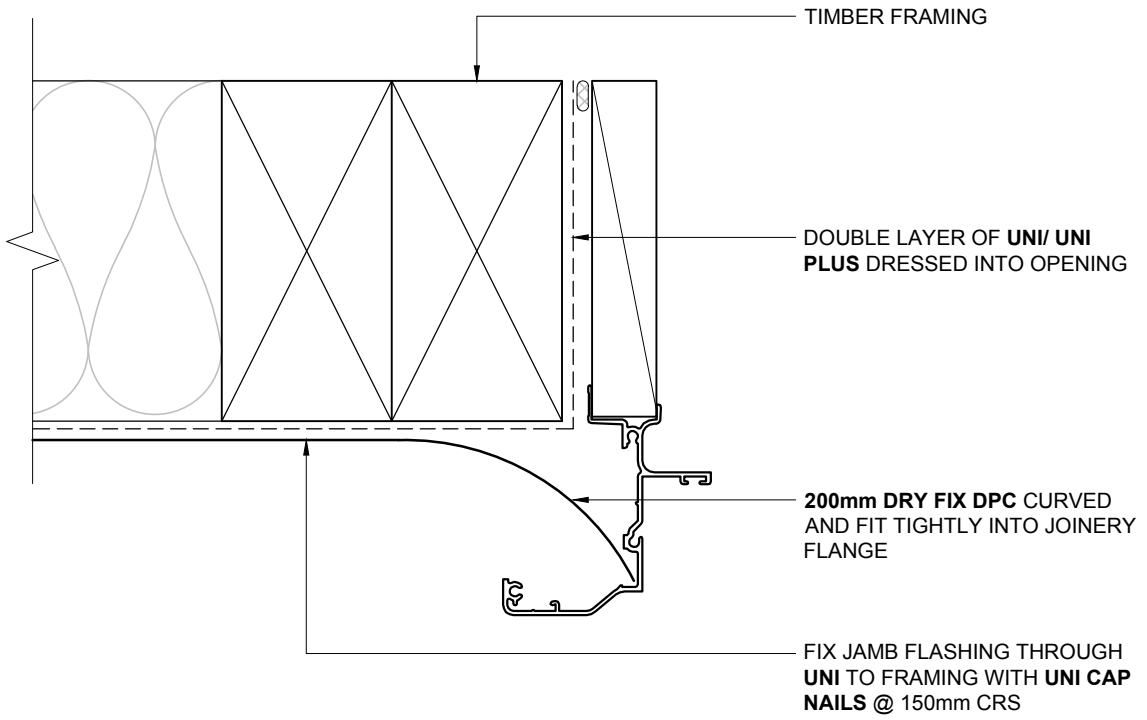
MASONS
Designed Smart, Built Tough.

UNI & UNI Plus Double Layer 180 days

Typical Jamb with 200mm Plastic DPC

Scale 1:2 Date

Drawing No. **UNI.DL.08**





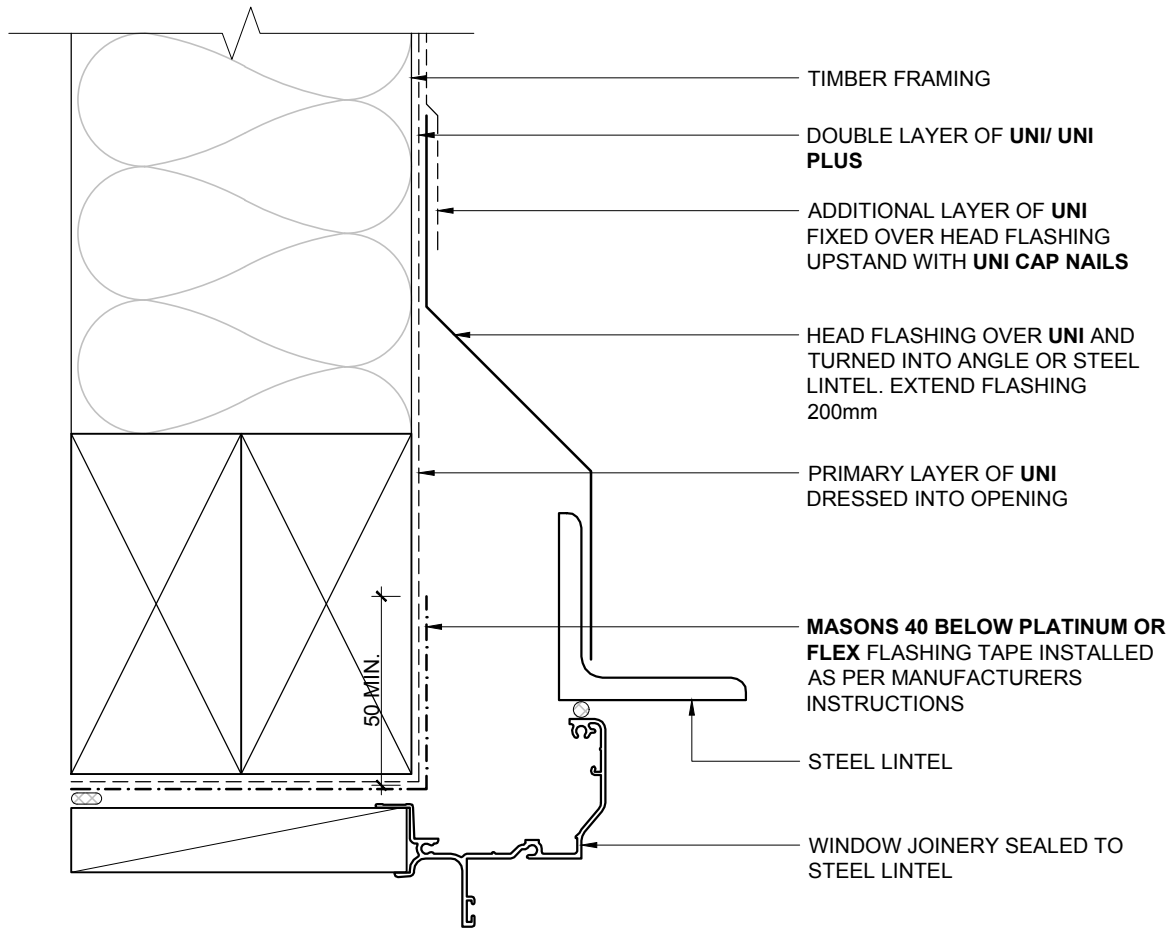
MASONS
Designed Smart, Built Tough.

UNI & UNI Plus Double Layer 180 days

Brick Lintel Veneer Window Head

Scale 1:2 Date

Drawing No. **UNI.DL.09**



ADDITIONAL UNI OVER HEAD FLASHING - BRICK VENEER



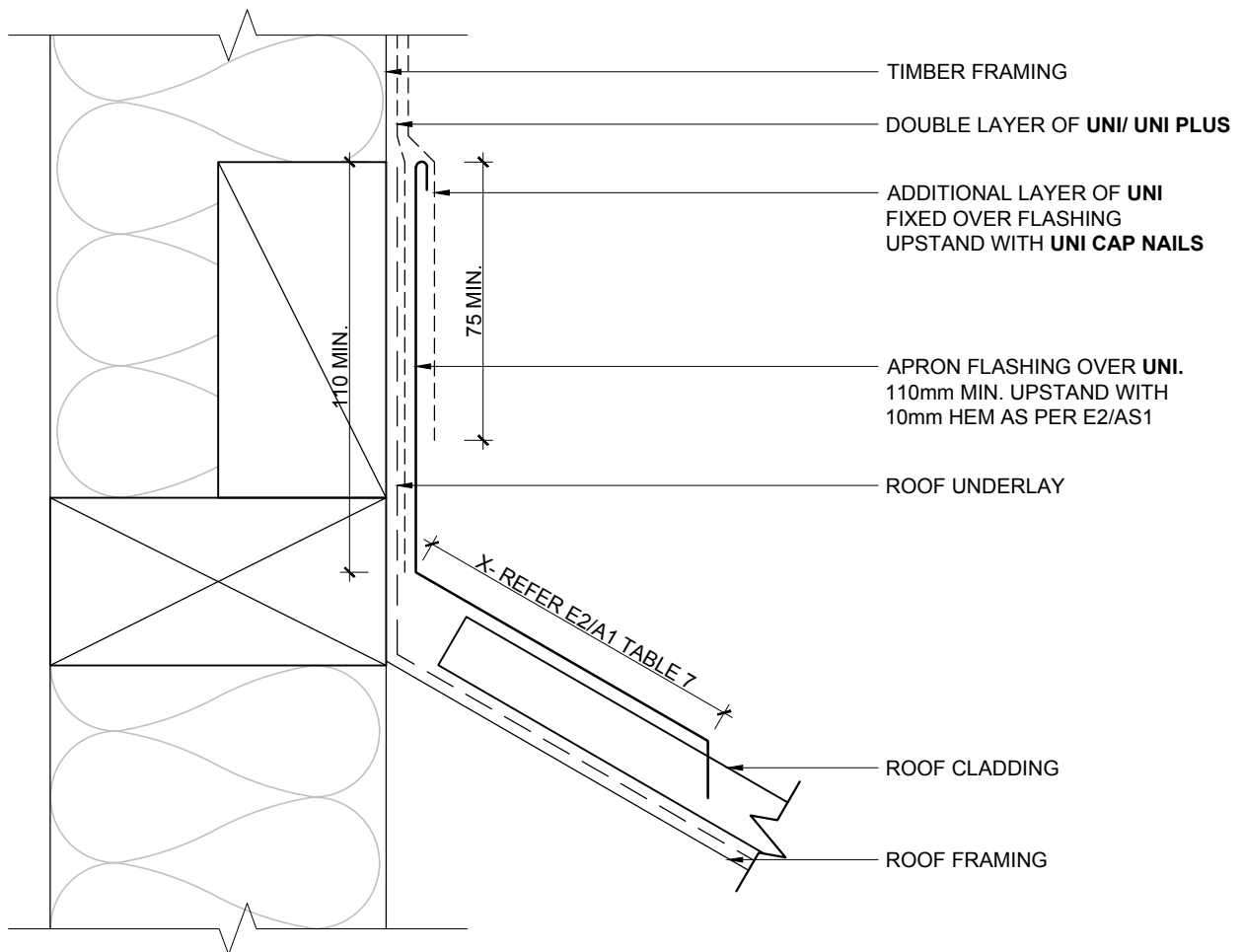
MASONS
Designed Smart, Built Tough.

UNI & UNI Plus Double Layer 180 days

Apron Flashing Installation

Scale 1:2 Date

Drawing No. **UNI.DL.10**





MASONS
Designed Smart, Built Tough.

UNI & UNI Plus Double Layer 180 days

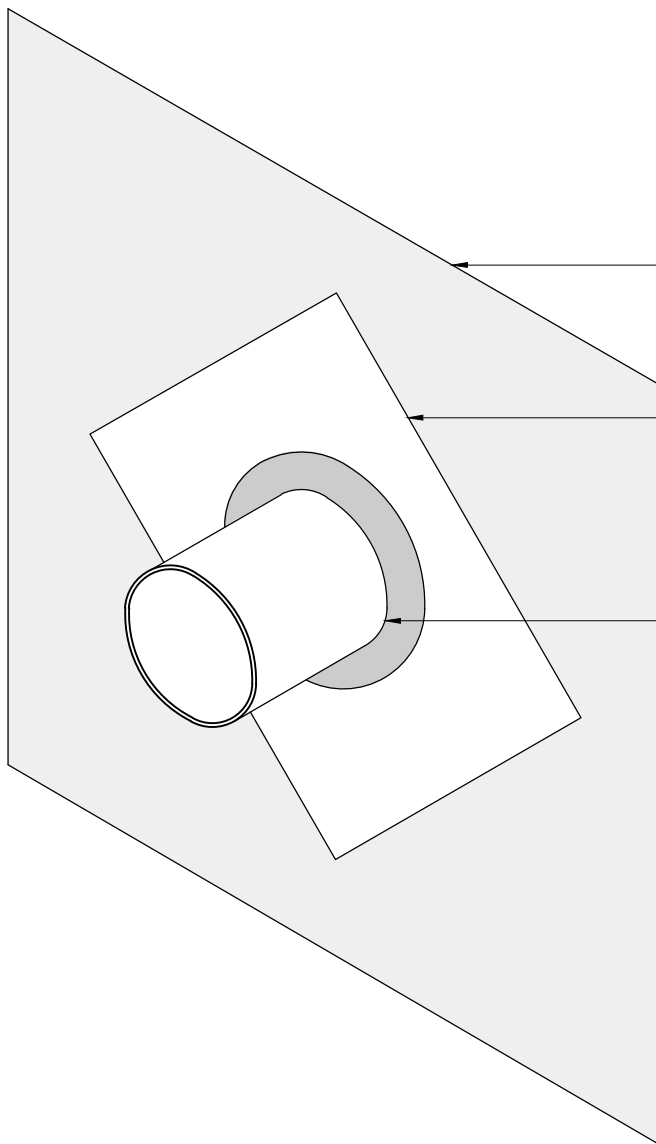
Penetration Seals

Scale 1:2

Date

Drawing No.

UNI.DL.11

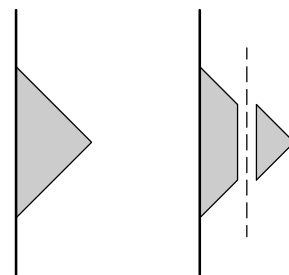


NOTE: MEASURE PIPE OR CONDUIT TO CHOOSE THE CORRECT SIZE MASONS PENETRATION SEAL

DOUBLE LAYER OF UNI/ UNI PLUS

MASONS 1-75mm PENETRATION SEAL OR 80-170mm MASONS PENETRATION SEAL, ORIENTATED AT 45°. PRESS FIRMLY ONTO UNI FAB WITH TAPE SCRAPER

CUT EDPM TO SNUG FIT ON PIPE OR CONDUIT



EDPM NOZZLE CUT TO SUIT PIPE