

# Roof Boot Flashings

- › **MULTIPLE SIZES IN RANGE**  
Fits any pipe penetration
- › **EPDM RUBBER AND RED SILICON**  
To withstand varying temperatures
- › **EASY TO INSTALL**  
Fits round or square fittings
- › **FOR FLASHING PIPES ON HORIZONTAL CLADDINGS TOO**
- › **GUARANTEED FOR UP TO 15 YEARS**



**MASONS**  
Designed Smart, Built Tough.

**Masons Roof Boot Flashings** are designed for building applications where a pipe or building service penetrates the roof of a building.

When installed the roof boot flashings create a weathertight seal between the service pipe and the building roof.

**AVAILABLE IN MULTIPLE SIZES** 0-300mm And either EPDM Rubber or Red Silicon

**EPDM** withstands temperatures from  $-50^{\circ}\text{C}$  to  $115^{\circ}\text{C}$  and up to  $150^{\circ}\text{C}$  intermittently.

**Silicon** withstands temperatures from  $-60^{\circ}\text{C}$  to  $200^{\circ}\text{C}$  and up to  $250^{\circ}\text{C}$  intermittently.

**WHEN A SQUARE FITTING IS REQUIRED ADD 30% TO THE DIAMETRE OF THE PIPE AND CUT ACCORDINGLY.**



100mm round  
= **314mm** circumference



100mm square  
= **400mm** perimeter

**400mm**  
= 30% more  
than 324mm

Appraised by



# Roof Boot Installation Instructions

**1** Cut a hole in the roof cladding slightly larger than pipe. Support hole with additional framing if necessary. Insert pipe into hole. Trim cone of Roof Boot with sharp snips for a snug fit on the pipe.



**2** Slide the Roof Boot down over the pipe. Moisten the pipe to overcome friction and slide the Roof Boot down into position.



**3** Apply roof and gutter or similar neutral cure silicone to the underside of the Roof Boot flange.



**4** Press flange onto roof cladding and silicone. Mould to shape easy out any creases. Don't over stretch the billowed cone adjust the fit on the pipe as required. Leave some 'give' in the flexible cone to allow for minor movement.



**5** Finish by applying a continuous bead of silicone to the edge of the flange and smooth off.



**6** Use self drilling washered screws or sealed rivets to fasten the Roof Boot to the cladding.



**NOTE:** For more effective drainage, always fit the Roof Boot 45° to the fall, or diamond fashion.

Masons Code	Description	Pipe Size (mm)	Base Size (mm)
RBFBE 0-20MM	Roof Boot Flshg 0-20mm Blk EPDM	0-20	57x57
RBFBE 0-35MM	Roof Boot Flshg 0-35mm Blk EPDM	0-35	100x100
RBFBE 110-170MM	Roof Boot Flshg 110-170mm Blk EPDM	110-170	283x283
RBFBE 130-230mm	Roof Boot Flshg 130-230mm Blk EPDM	130-230	305x305
RBFBE 160-220MM	Roof Boot Flshg 160-220mm Blk EPDM	160-220	360x360
RBFBE 160-300MM	Roof Boot Flshg 160-300mm Blk EPDM	160-300	445x445
RBFBE 5-120MM	Roof Boot Flshg 5-120mm Blk EPDM	5-120	215x215
RBFBE 5-55MM	Roof Boot Flshg 5-55mm Blk EPDM	5-55	135x135
RBFBE 50-70MM	Roof Boot Flshg 50-70mm Blk EPDM	50-70	175x175
RBFBE CN 0-35MM	Roof Boot Flshg 0-35mm Blk EPDM Cble Nipples	0-35	92x92
RBFBERF 20-70MM	Roof Boot Flshg 20-70mm Blk EPDM Retro Fit	20-70	160x160
RBFRS 0-35MM	Roof Boot Flshg 0-35mm Red Silcn	0-35	100x100
RBFRS 110-170MM	Roof Boot Flshg 110-170mm Red Silcn	110-170	283x283
RBFRS 130-230MM	Roof Boot Flshg 130-230mm Red Silcn	130-230	305x305
RBFRS 160-220MM	Roof Boot Flshg 160-220mm Red Silcn	160-220	360x360
RBFRS 160-300MM	Roof Boot Flshg 160-300mm Red Silcn	160-300	445x445
RBFRS 5-120MM	Roof Boot Flshg 5-120mm Red Silcn	5-120	215x215
RBFRS 50-170MM	Roof Boot Flshg 50-70mm Red Silcn	50-70	175x175
RBFRS CN 0-35MM	Roof Boot Flshg 0-35mm Red Silcn Cble Nipples	0-35	98x98
RBFRS CN 5-55MM	Roof Boot Flshg 5-55mm Red Silcn Cble Nipples	5-55	137x137
RBFRS RF 20-70MM	Roof Boot Flshg 20-70mm Red Silcn Retro Fit	20-70	153x153

# Roof Pitch

Roof boots have limitations regarding the pitch, roof profile and placement.

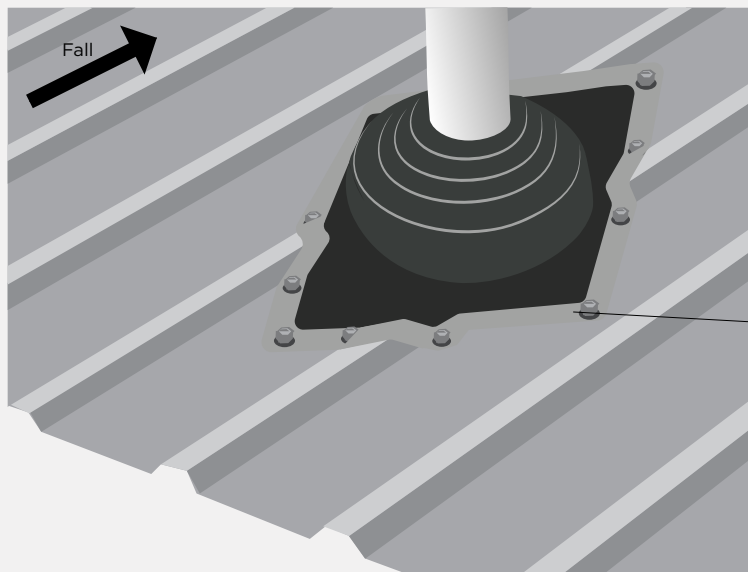
For roof boots fixed directly to the roof cladding where the roof boot fits cross the entire pan of the profile the lowest permissible roof pitch is 8° for corrugated iron and 10° for low rib trapezoidal profiles.

Where possible avoid fitting roof boots over a lap. If this can not be avoided the lap must be fully sealed.

The installer must take actions needed to prevent the possibility of leaks through capillary action.

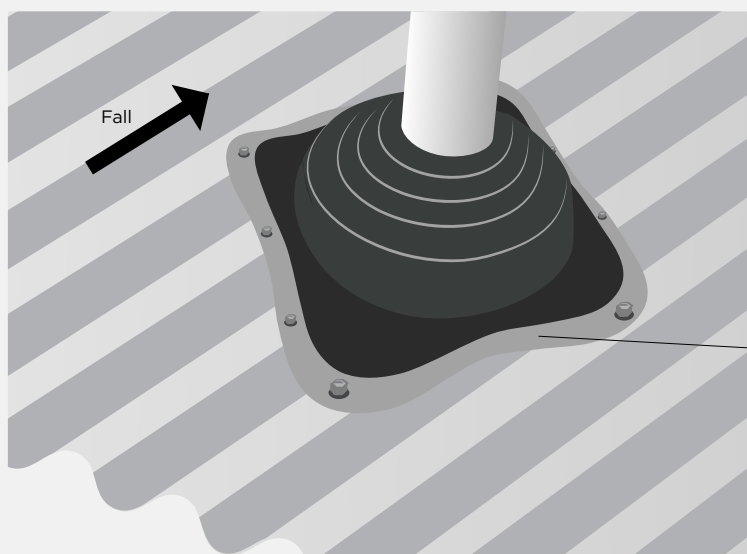
Directly fitted roof boots should be fitted with their edge's diagonal to the fall of the water. If this is not practical, they may be fitted square at pitches 10° and above.

## Direct-fixed Roof Boot on Trapezoidal Profiles



Fit roof boot flashing on diagonal and seal and fix to roofing profile

## Direct-fixed Roof Boot on Corrugated Profiles



Fit roof boot flashing on diagonal and seal and fix to roofing profile

## Boot flashings fitted to Over Flashings

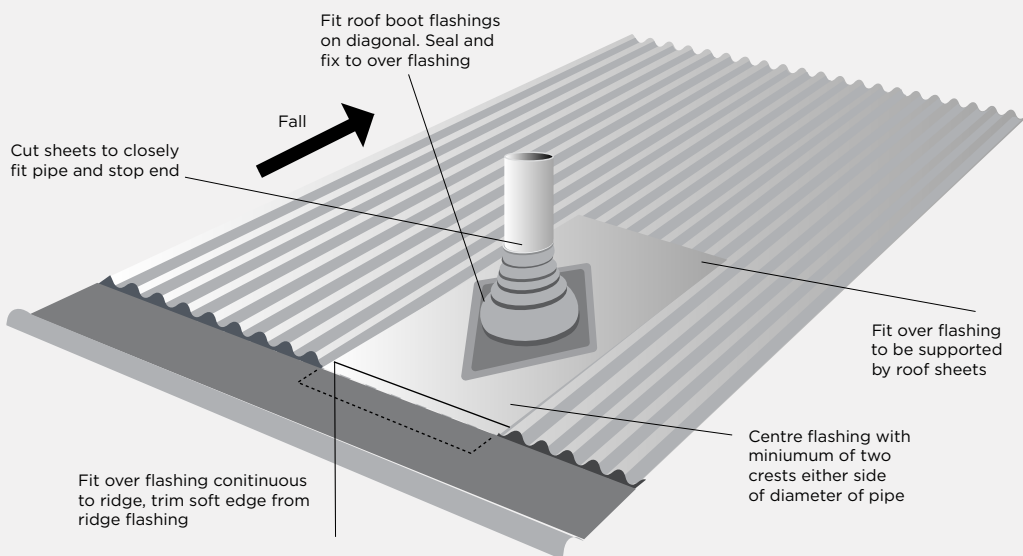
Roof boots may be fitted to over flashings, this allows them to be used in pitches down the minimum allowed for the profile, this is usually 8° for corrugated and 3° for trapezoidal trough sections. Under 10° pitch roof boots must be installed at 45° to the profile - fall of the roof.

Soaker flashings should continue to the apex or terminate with a soaker to the upper edge.

For additional information Masons recommends designers and installers consult the MRM COP section 9.5, and Or E23 AS1 section 8.3.10 and figs 53 & 54 prior to detailing or using Masons Roof Boots

Masons recommends the use Soudal Gorilla MS or Gorilla Roofers silicone, or any equivalent premium neutral cure sealant.

### Over-Flashed Roof Boot Flashing on Corrugate Profile



### Over-Flashed Roof Boot with Soaker Level Curb on Trapezoidal Profile

