



MASONS
Designed Smart, Built Tough.

**Masons Barricade WD Self Adhesive Weather
Resistive Barrier Visual Installation Guide**
Barricade WD Self Adhesive Underlay Installation

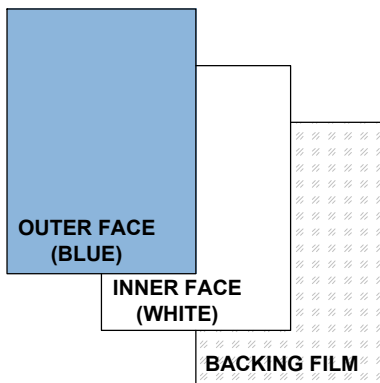
Scale

N.T.S

Date

Drawing No.

BWD.RB.01

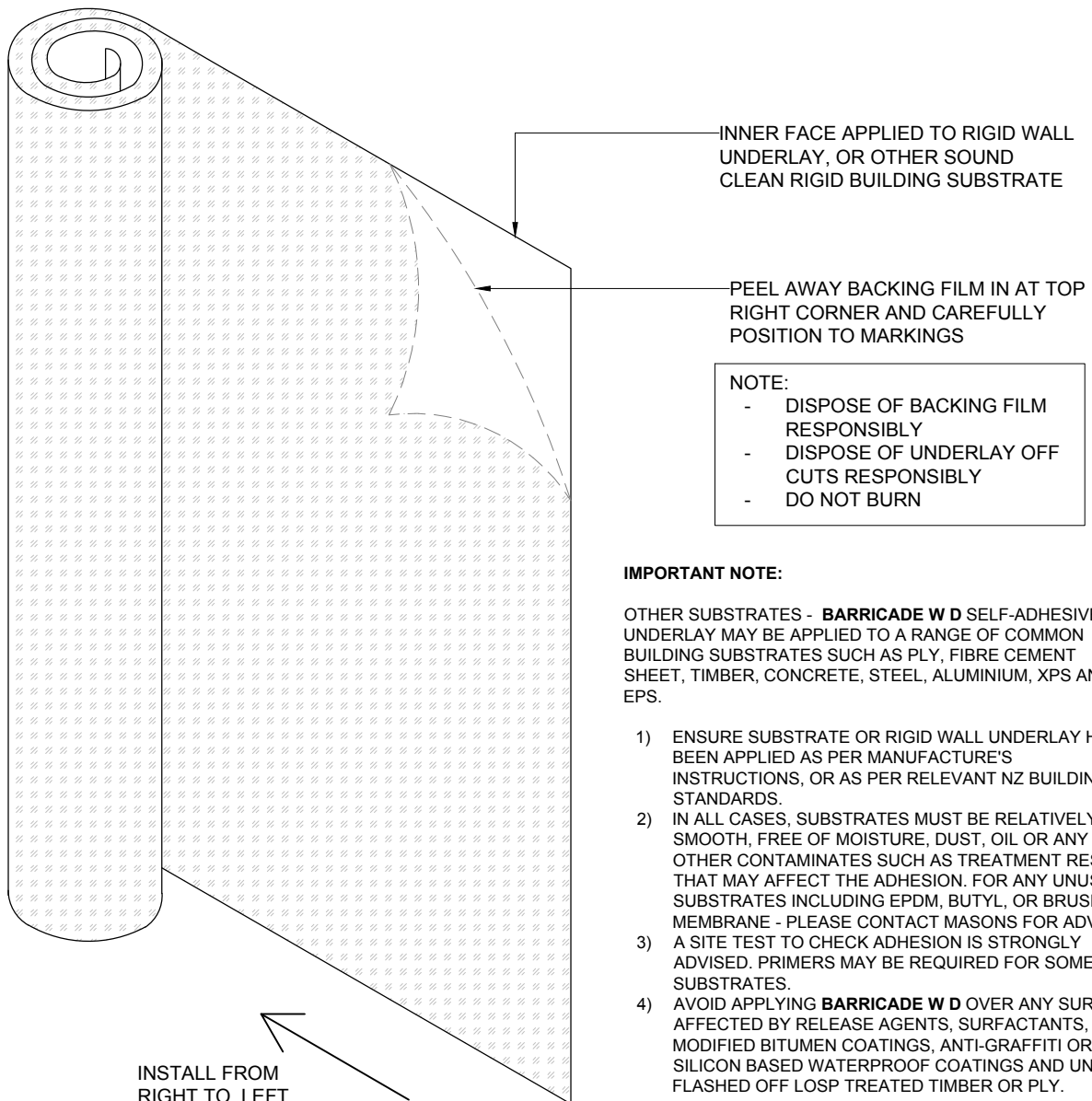


SUBSTRATE PREPARATION

- 1) ENSURE SUBSTRATE TO BE CLEAN, SMOOTH AND DRY, MUST BE FREE OF CONTAMINATES INCLUDING DUST

UNDERLAY INSTALLATION

- 1) CAREFULLY MEASURE AND MARK OUT PLACEMENT
- 2) START FROM THE BOTTOM AND WORK UPWARDS, LAPPING HIGHER LAYER OVER LOWER
- 3) GRADUALLY PEEL AWAY BACKING FILM AND POSITIONING ONTO UNDERLAY
- 4) PROGRESSIVELY PRESS IN UNDERLAY TO RIGID WALL UNDERLAY
- 5) AVOID AIR BUBBLES AND FOLDS





MASONS
Designed Smart, Built Tough.

**Masons Barricade WD Self Adhesive Weather
Resistive Barrier Visual Installation Guide**
Barricade WD Self Adhesive Underlay Setout

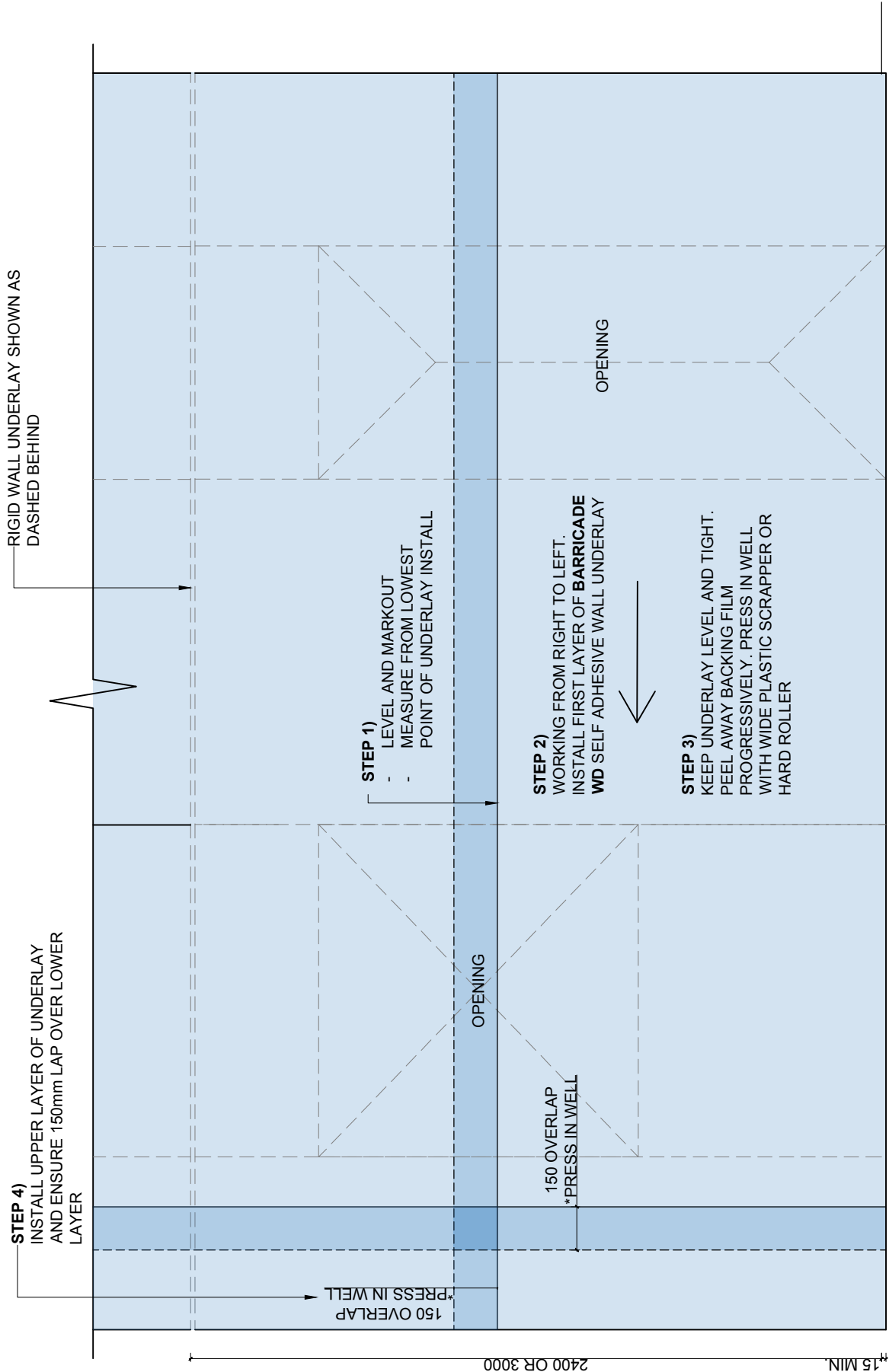
Scale

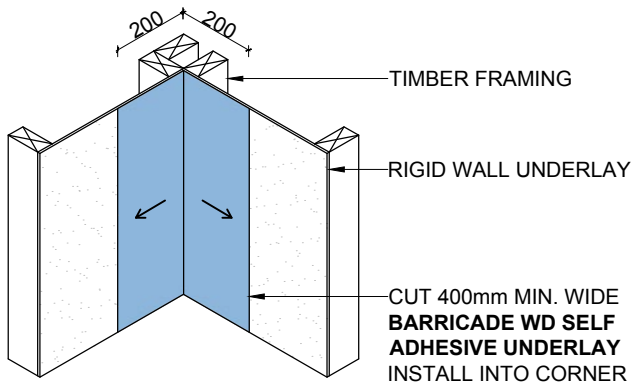
N.T.S

Date

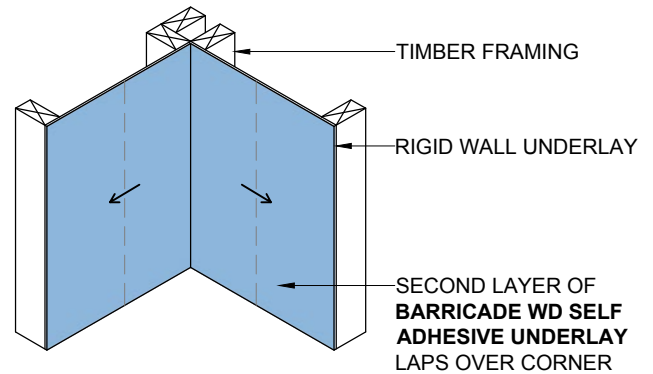
Drawing No.

BWD.RB.02



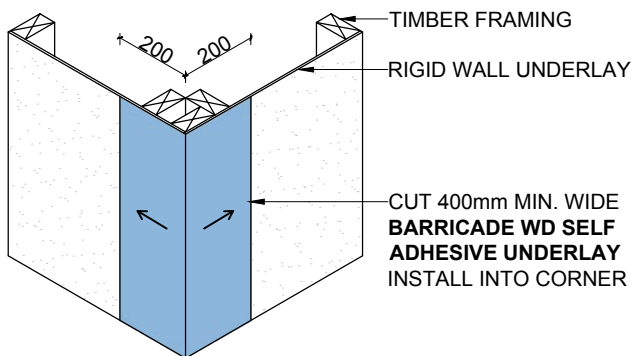


STEP ONE

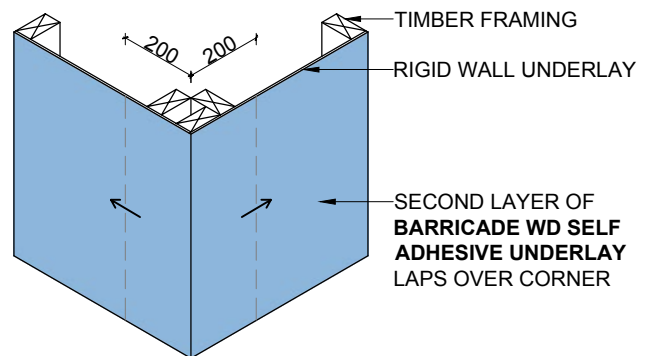


STEP TWO

INTERNAL CORNER



STEP ONE



STEP TWO

EXTERNAL CORNER

NOTE:

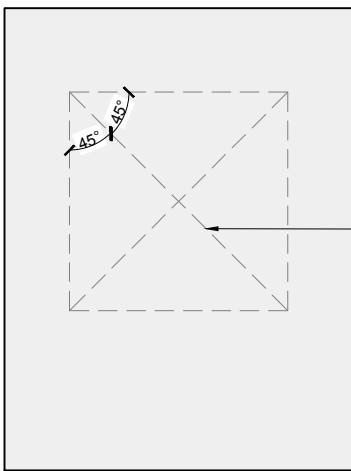
- 1) INSTALL **BARRICADE W D** SELF ADHESIVE UNDERLAY ONE SIDE AT A TIME AND SMOOTH OUT AIR BUBBLES AND FOLDS
- 2) REMOVE BACKING FILM AND LAY INNER FACE (WHITE) ONTO SUBSTRATE
- 3) PRESS IN WELL TO ACTIVATE WITH ADHESIVE!



Masons Barricade WD Self Adhesive Weather Resistive Barrier Visual Installation Guide
Opening Installation

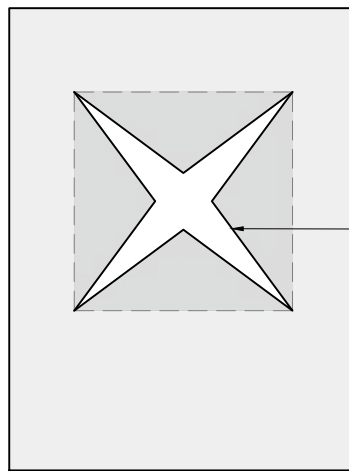
Scale 1:40 Date

Drawing No. **BWD.RB.04**



MASONS BARRICADE WD
SELF ADHESIVE WALL
UNDERLAY TO BE CUT AT
45° TO CORNERS OF
OPENINGS

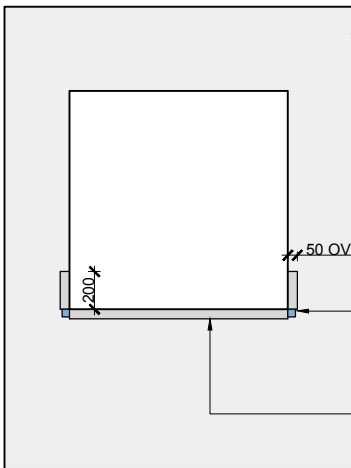
STEP ONE



MASONS BARRICADE WD
SELF ADHESIVE WALL
UNDERLAY TO BE
FOLDED INTO OPENING
AND ADHERED TO
FRAMING

STEP TWO

BUTTERFLIES
2 X 75 X 150mm

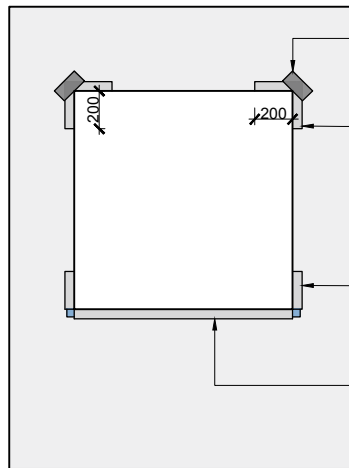


MASONS BARRICADE WD
SELF ADHESIVE
WALL UNDERLAY TO BE
CUT AT 45° TO
CORNERS OF
OPENINGS

**MASONS CORNER
GUARD OVER WALL
UNDERLAY**

**MASONS 40 BELOW
PLATINUM OR FLEX
FLASHING TAPE**
2 x 75 x 150mm

STEP THREE



BUTTERFLIES
2 X 75 X 150mm

MASONS 40 BELOW
2 x 400mm LINTEL PIECE

**MASONS CORNER
GUARD OVER WALL
UNDERLAY**

**MASONS 40 BELOW
PLATINUM OR FLEX
FLASHING TAPE**
2 x 75 x 150mm

STEP FOUR



MASONS
Designed Smart, Built Tough.

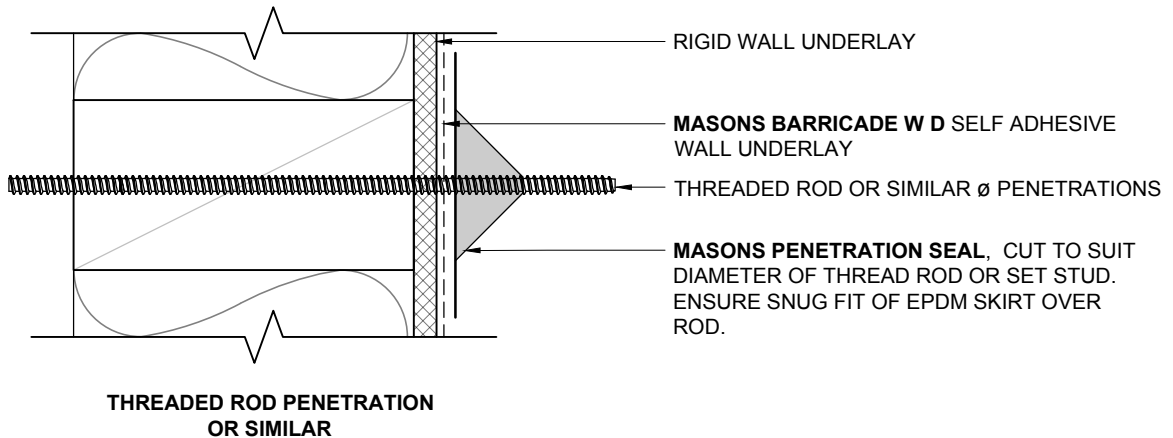
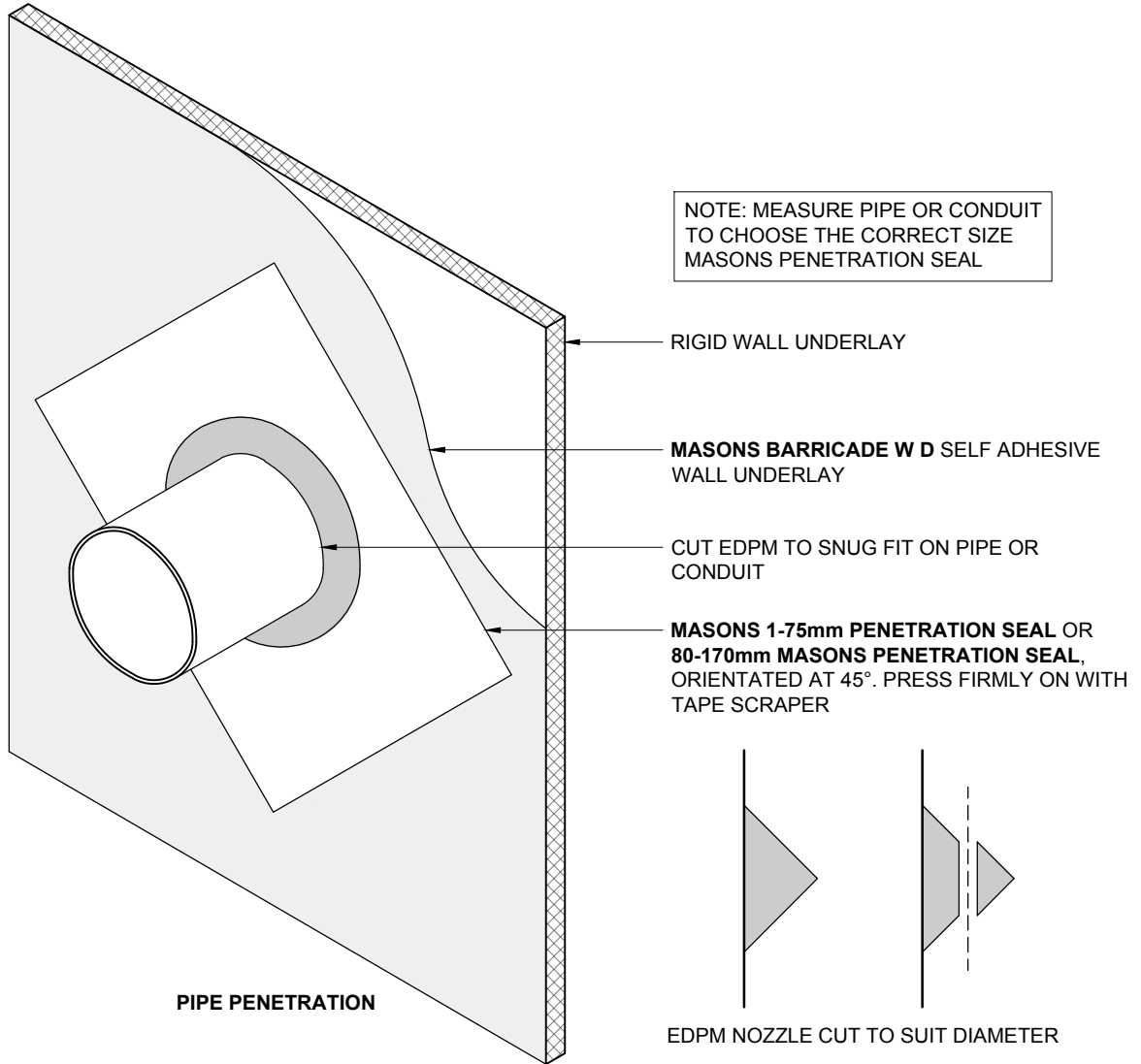
Masons Barricade WD Self Adhesive Weather Resistive Barrier Visual Installation Guide
Pipe Penetration & Threaded Road Penetration Detail

Scale 1:40/ 1:2 Date

Drawing No.

BWD.RW.05

1. DETAIL AS PER E2/AS1 FIG. 68 (a) & (b)
2. DETAIL MAY VARY DEPENDING ON SELECTED CLADDING. REFER CLADDING MANUFACTURER INSTRUCTIONS FOR SEALING AROUND PENETRATION
3. REFER TO SELECTED FLEXIBLE WALL UNDERLAY, FLASHING TAPE AND PENETRATION SEAL MANUFACTURER INSTRUCTIONS AND CHECK COMPATIBILITY BETWEEN PRODUCTS





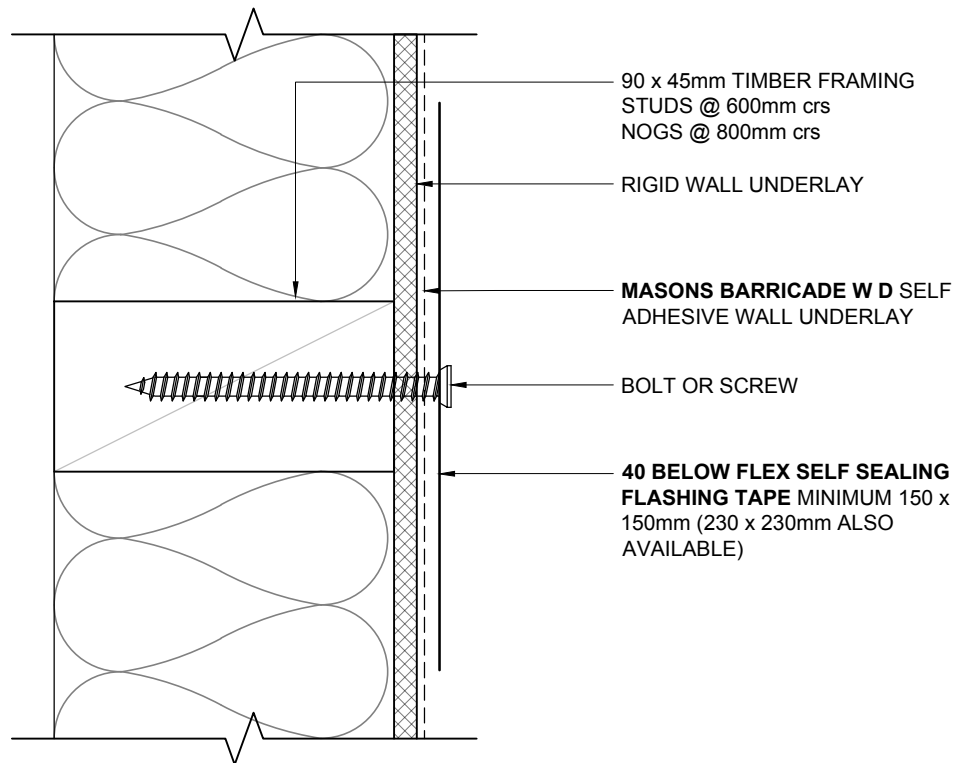
MASONS
Designed Smart, Built Tough.

Masons Barricade WD Self Adhesive Weather Resistive Barrier Visual Installation Guide
Fixing Penetration Detail

Scale 1:2 Date

Drawing No. **BWD.RB.06**

1. DETAIL AS PER E2/AS1 FIG. 68 (a) & (b)
2. DETAIL MAY VARY DEPENDING ON SELECTED CLADDING. REFER CLADDING MANUFACTURER INSTRUCTIONS FOR SEALING AROUND PENETRATION
3. REFER TO SELECTED FLEXIBLE WALL UNDERLAY, FLASHING TAPE AND PENETRATION SEAL MANUFACTURER INSTRUCTIONS AND CHECK COMPATIBILITY BETWEEN PRODUCTS



FIXING PENETRATION

NOTE:

- 1) WATERPROOF FIXING PENETRATION BY APPLY 40 BELOW FLEX SELF SEALING FLASHING TAPE TO UNDERLAY
- 2) USE 40 BELOW FLEX FLASHING TAPE TO REPAIR ANY TEARS OR SMALL OPENINGS MADE IN **BARRICADE W D**

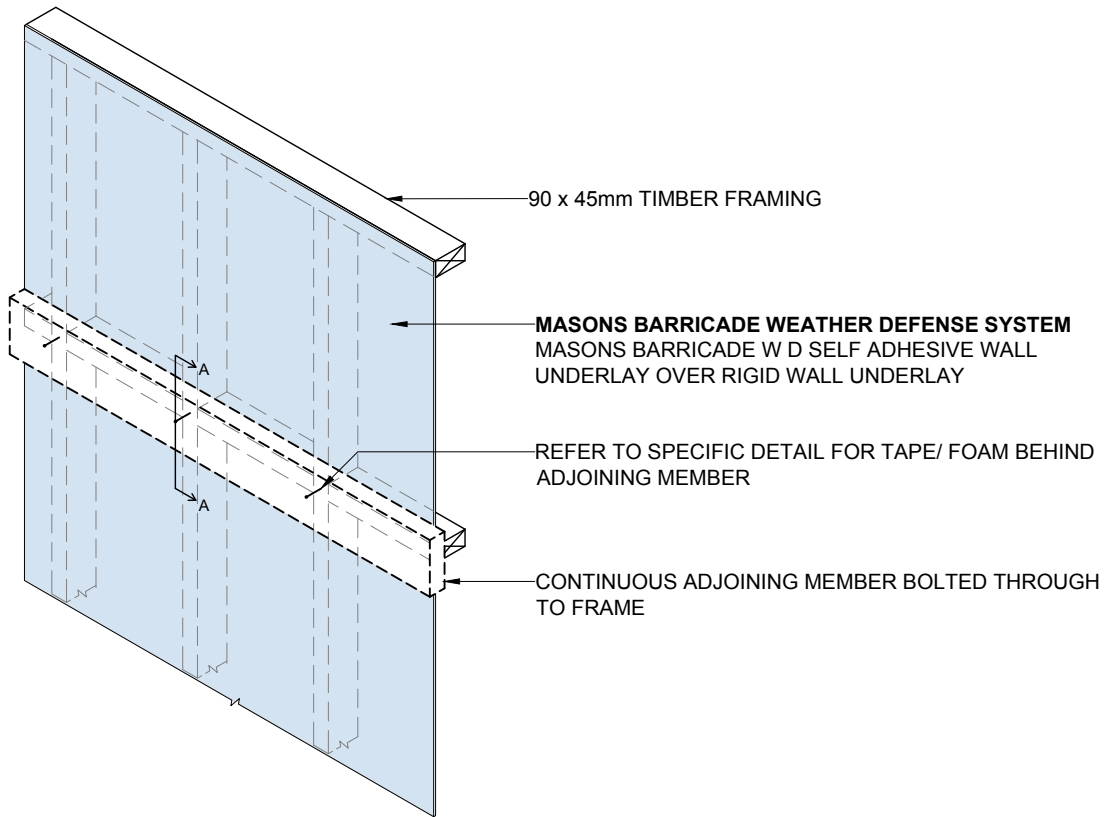


MASONS
Designed Smart, Built Tough.

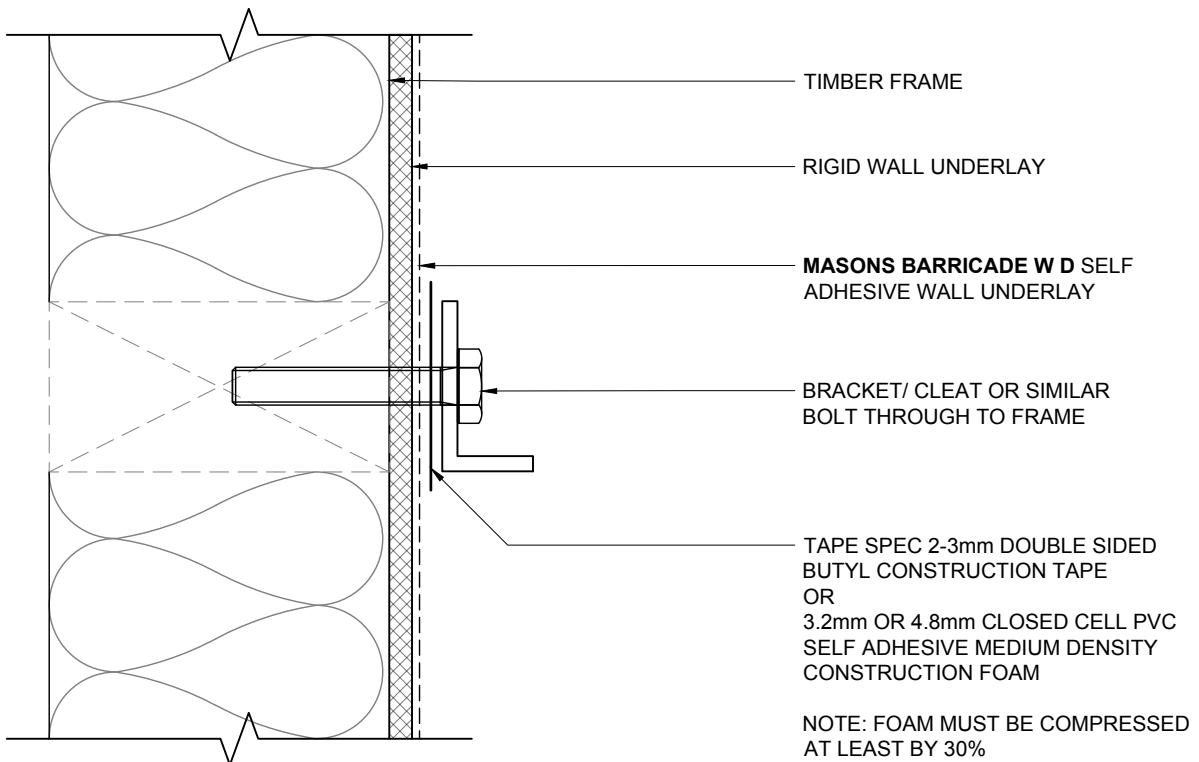
Masons Barricade WD Self Adhesive Weather Resistive Barrier Visual Installation Guide
Weathertight Seals for Adjoining Elements

Scale N.T.S/ 1:2 Date

Drawing No. **BWD.RB.07**



WEATHERTIGHT SEALS FOR ADJOINING MEMBER



DETAIL A-A

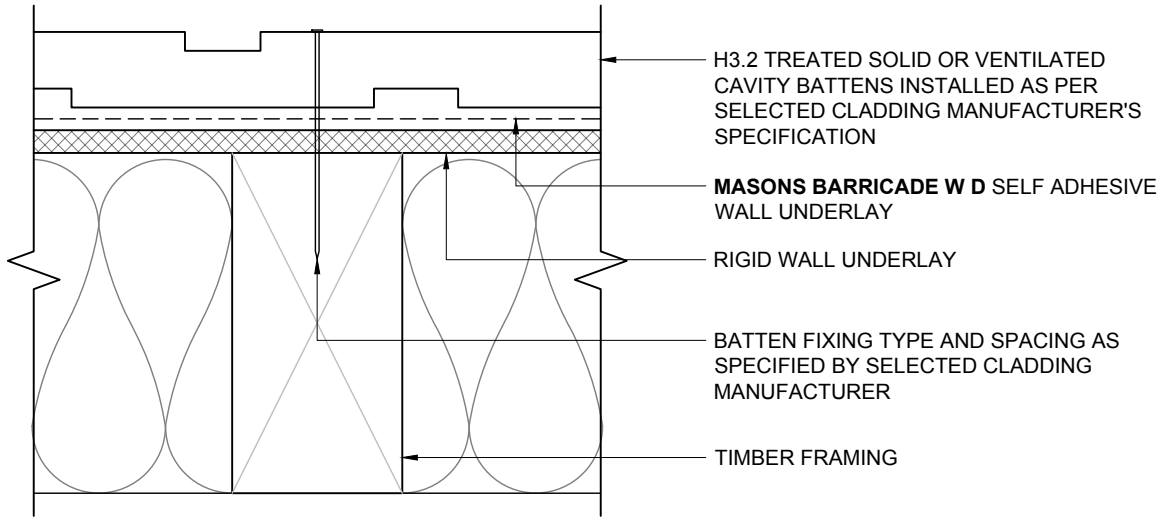


MASONS
Designed Smart, Built Tough.

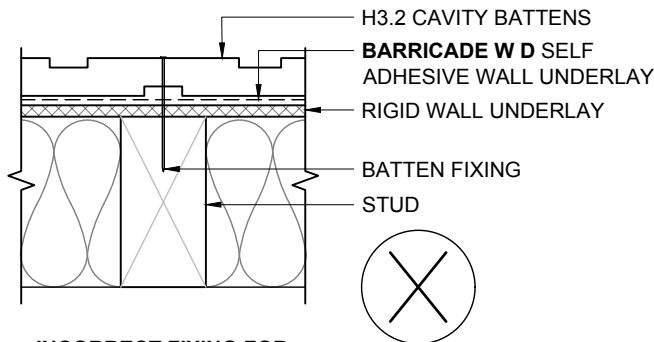
Masons Barricade WD Self Adhesive Weather Resistive Barrier Visual Installation Guide
Cavity Batten Fixing Detail

Scale 1:2 Date

Drawing No. **BWD.RB.08**



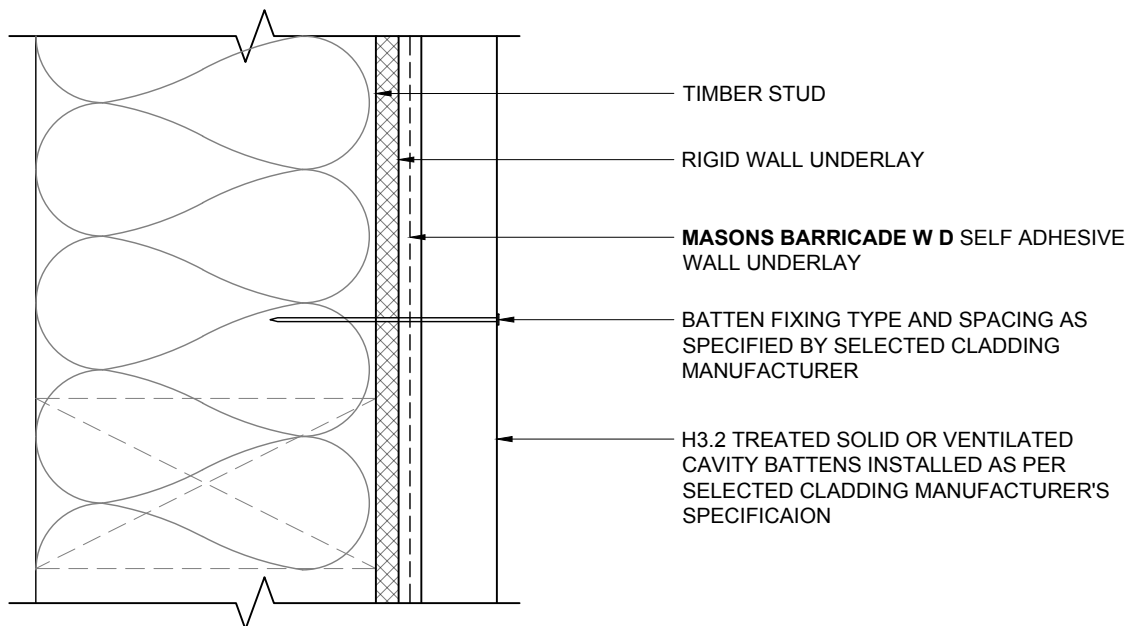
HORIZONTAL CAVITY BATTEN



INCORRECT FIXING FOR CAVITY BATTEN

NOTE:

- BATTEN FIXING AS SPECIFIED BY SELECTED CLADDING MANUFACTURER
- USE APPROPRIATE FIXING FOR CORROSION ZONE
- DO NOT FIX AT BATTEN NOTCHES
- ENSURE BATTEN IS FIXED TIGHT UP AGAINST **BARRICADE W D** SELF ADHESIVE WALL UNDERLAY



VERTICAL CAVITY BATTEN