



## 180/30 SLIMLINE ROOF

The smallest Roof in the Slimline series

This Roof replaces the original 180 Linear and 180 Classic Opening Roofs.

The modern Slimline styling works particularly well with the narrower 180mm wide blade, and is an ideal choice for smaller spanning Opening Roofs.

### Key Features

- Sleek, functional design, clean and uncluttered when open or closed
- Design strength of an extruded double box-section
- Somfy powered or hand-operated award winning Spiral Pivot operating system
- "Cushion Closing" onto a bulb seal strip
- Increased closing cover angle for added weather protection
- Larger blade gutter incorporated for extra storm-water dispersal



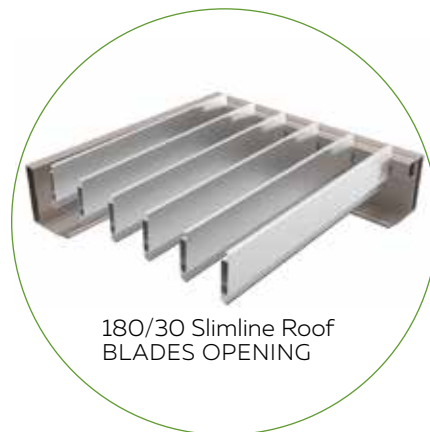
PURPOSE BUILT OUTDOOR LIVING AREA BY LOUVRETEC AUCKLAND



180/30 SLIMLINE BLADE



180/30 Slimline Roof  
BLADES CLOSED



180/30 Slimline Roof  
BLADES OPENING

### MOTORISED OR HAND OPERATED

Controller and  
Sensor Options  
Refer Pages  
2.17 - 2.18  
for range of options



### SURFACE FINISHING OPTIONS

A wide range of options are available.



POWDERCOAT

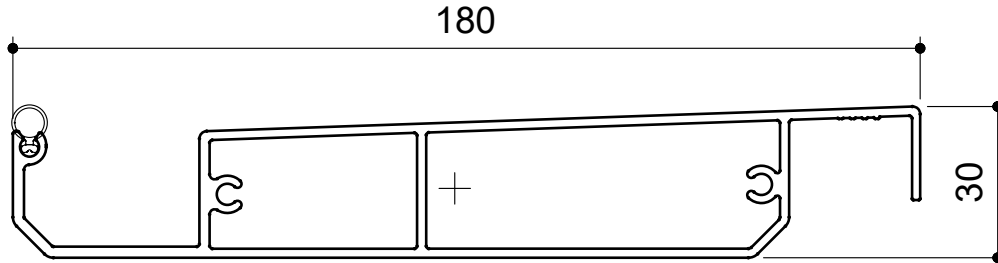
WOODGRAIN &  
SPECIAL FINISHES

METALLIC ANODISED

OPENING ROOFS 180/30 SLIMLINE ROOF BLADE SPECIFICATIONS



BLADE SPECIFICATIONS 180/30 SLIMLINE ROOF



NTS

BLADE SPECIFICATIONS			
Blade cover - opening system	169 mm	Weight per linear metre - opening system	1.93 kg/lm
Weight per square metre - opening system	11.41 kg/sqm	Actual blade width	180 mm
Blade centres - opening system	169 mm		

SPANS AT A GLANCE

Refer Engineering Section. Climate, terrain, shielding, location, type of structure contribute to determine spans.

WIND ZONE	INSIDE	LOW	MEDIUM	HIGH	VERY HIGH	EXTRA HIGH
Factored wind speed at building	Self wt	32 m/s	37m/s	44 m/s	50 m/s	55 m/s
		115 km/hr	133 km/hr	158 km/hr	179 km/hr	198 km/hr
180/30 Slimline Roof <b>3m Height</b>	4500	4500	4500	4250	3700	3350
180/30 Slimline Roof <b>6m Height</b>		4500	4500	3800	3300	3000

INSTALLATION OPTIONS



CALCULATE OPTIMUM FRAME  
OPENING SIZES FOR SPIRAL PIVOT

Span: Check engineering span limits  
Pivot: Calculation example showing 17 blades

STEP 1

16 blades x 169 Crs	2704
1 blade at 180 (blade size)	+ 180
17 blades	=2884

STEP 2

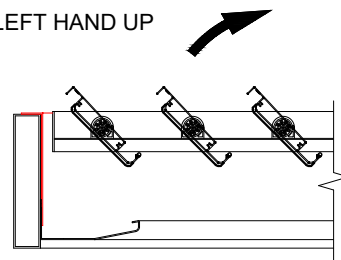
Blade cover	2884
+2/22mm clearance @ ends	=44
Total exact pivot length	=2928

Extra width 185mm gutter provides cover if clearance increases over 22mm at ends.

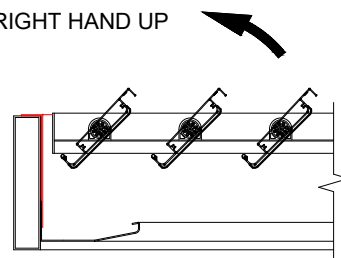
Blade direction either Right Hand up or Left Hand up.

CHOOSE DIRECTION OF BLADE PIVOT

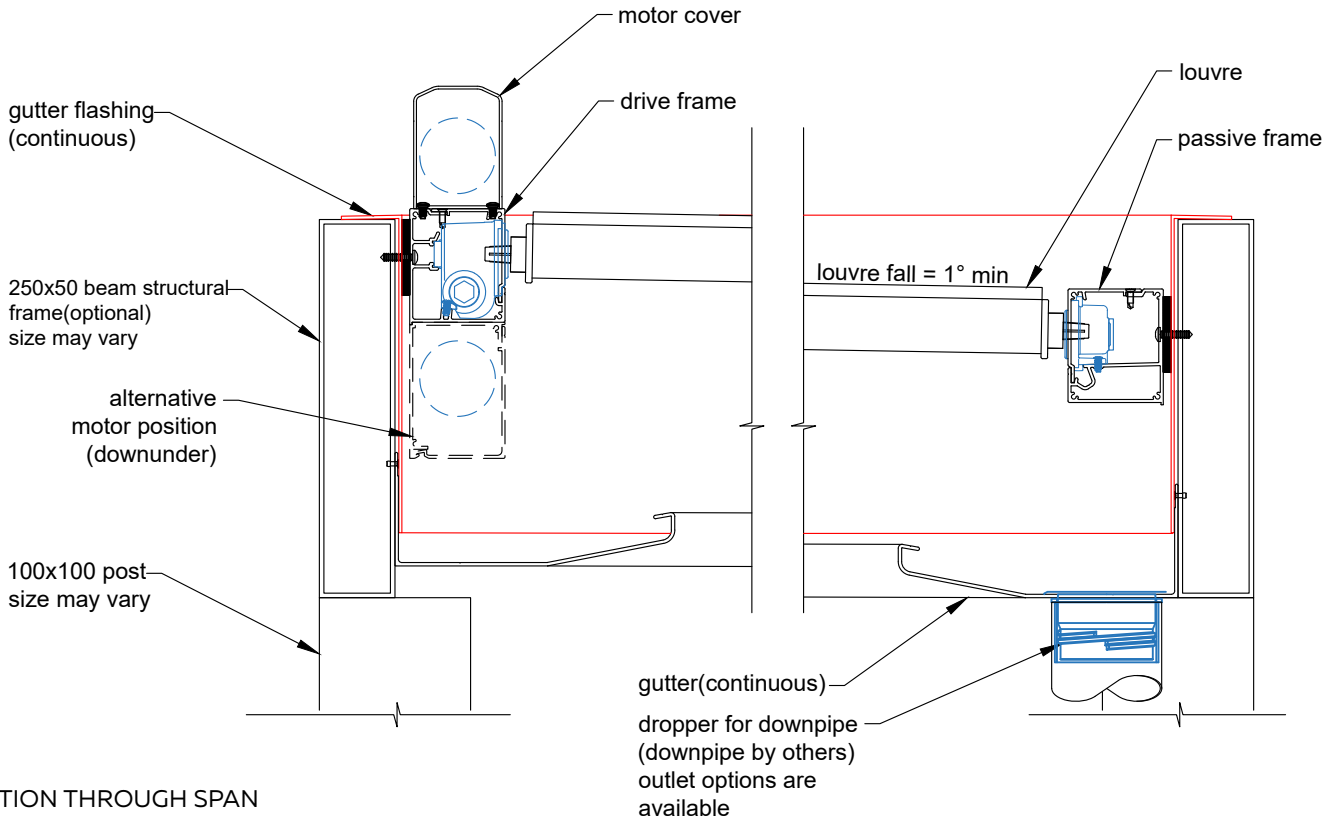
LEFT HAND UP



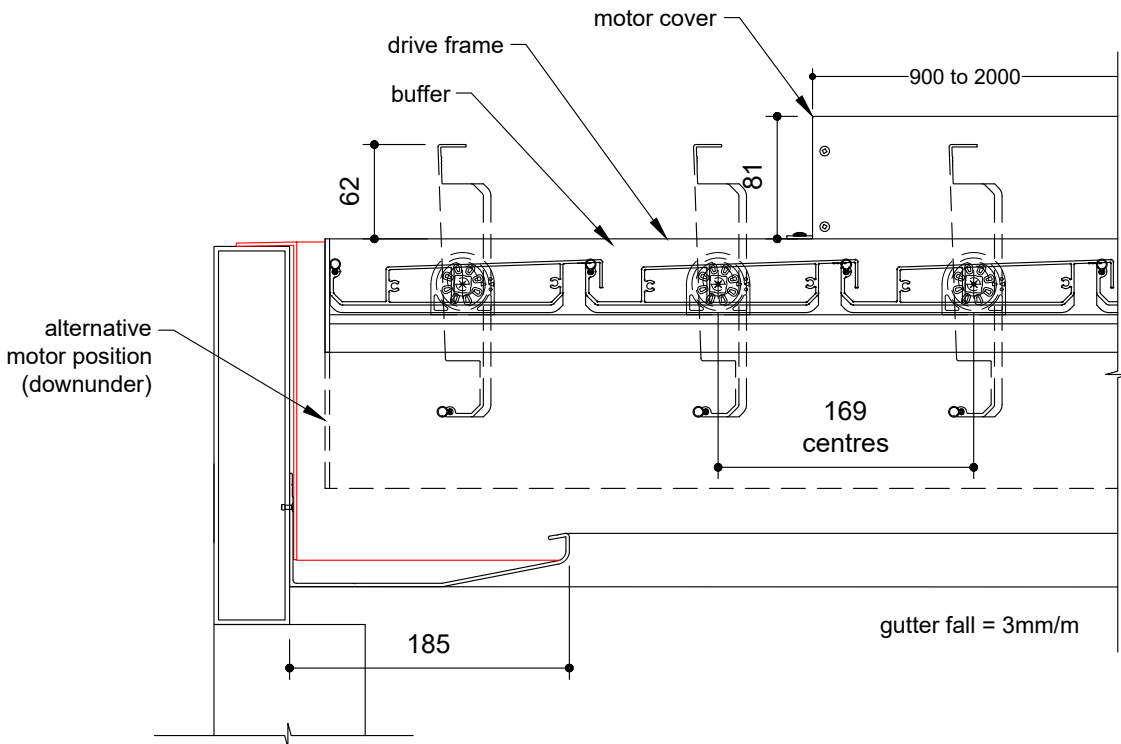
RIGHT HAND UP



**TYPICAL DETAIL: MOTORISED 180/30 SLIMLINE ROOF WITHIN LOUVRETEC STRUCTURAL FRAME**



SECTION THROUGH SPAN



SECTION THROUGH LOUVRES

**TYPICAL DETAIL : MANUAL 180/30 SLIMLINE ROOF  
WITHIN LOUVRETEC STRUCTURAL FRAME**

