



INSTALLATION DRAWING

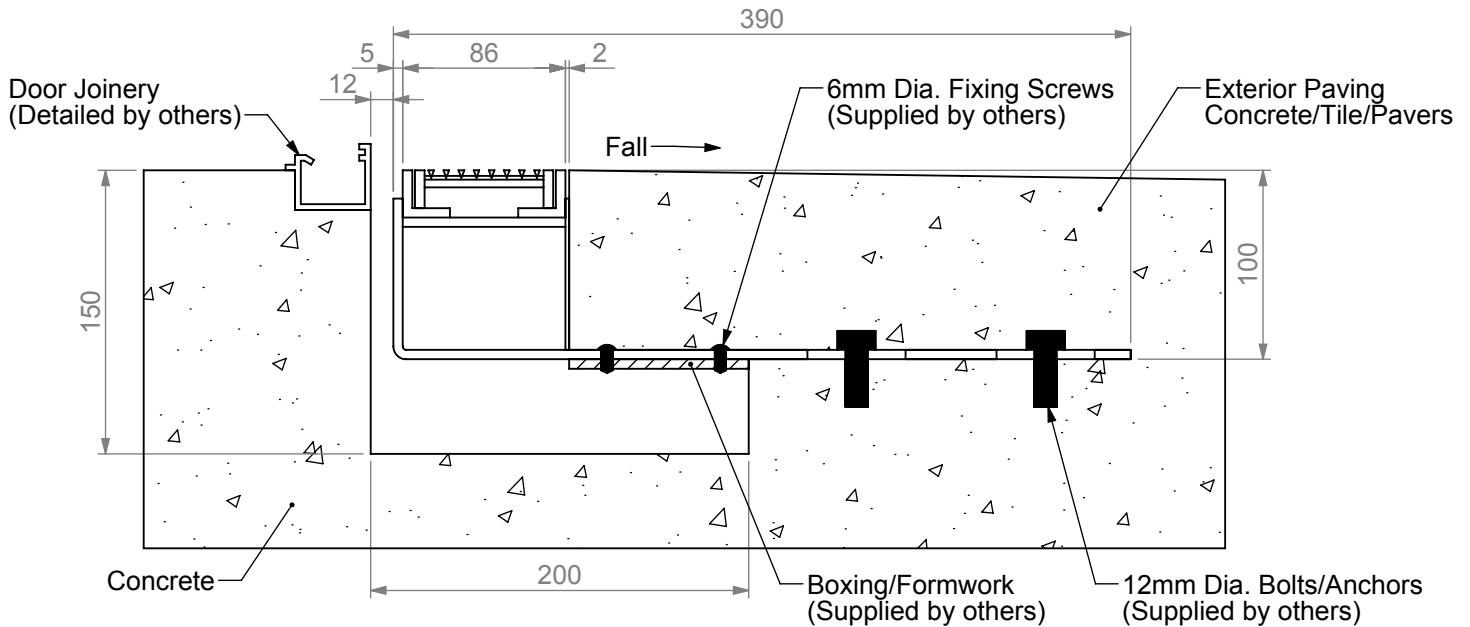
ACO Polycrete Pty Ltd

ACN 050 102 942
ABN 65 050 102 942
134 - 140 Old Bathurst Road,
Emu Plains NSW 2152
Tel: +61 2 4747 4000
Fax: +61 2 4747 4040
e: technical@acoaus.com.au

DRG #: THRESHOLD

Threshold Drain

Website: www.acoaus.com.au



©2012 ACO Polycrete Pty Ltd

NOTES:

- 1.. Customers to check and confirm the installation details meet NZ Building Code E2 Solutions Figure 17B.
- 2.. ACO recommends designers and installers check local legislative standards and practices, or seek specialised engineering advice.



SPECIFICATION CLAUSE

ACO Polycrete Pty Ltd

ACN 050 102 942
ABN 65 050 102 942
134 - 140 Old Bathurst Road,
Emu Plains NSW 2152
Tel: +61 2 4747 4000
Fax: +61 2 4747 4040
e: technical@acoaus.com.au

DRG #: THRESHOLD

Threshold Drain

Website: www.acoaus.com.au

The Threshold Drain complete with "grate type"* grate shall be installed as per ACO's installation detail with reference to NZ Building Code E2 Solutions Figure 17B.

The system shall be manufactured and supplied by ACO Polycrete Pty Ltd and installed in accordance with ACO's guidelines.

Installers must check local plumbing codes and seek professional advice prior to installation.

* Insert grate type.