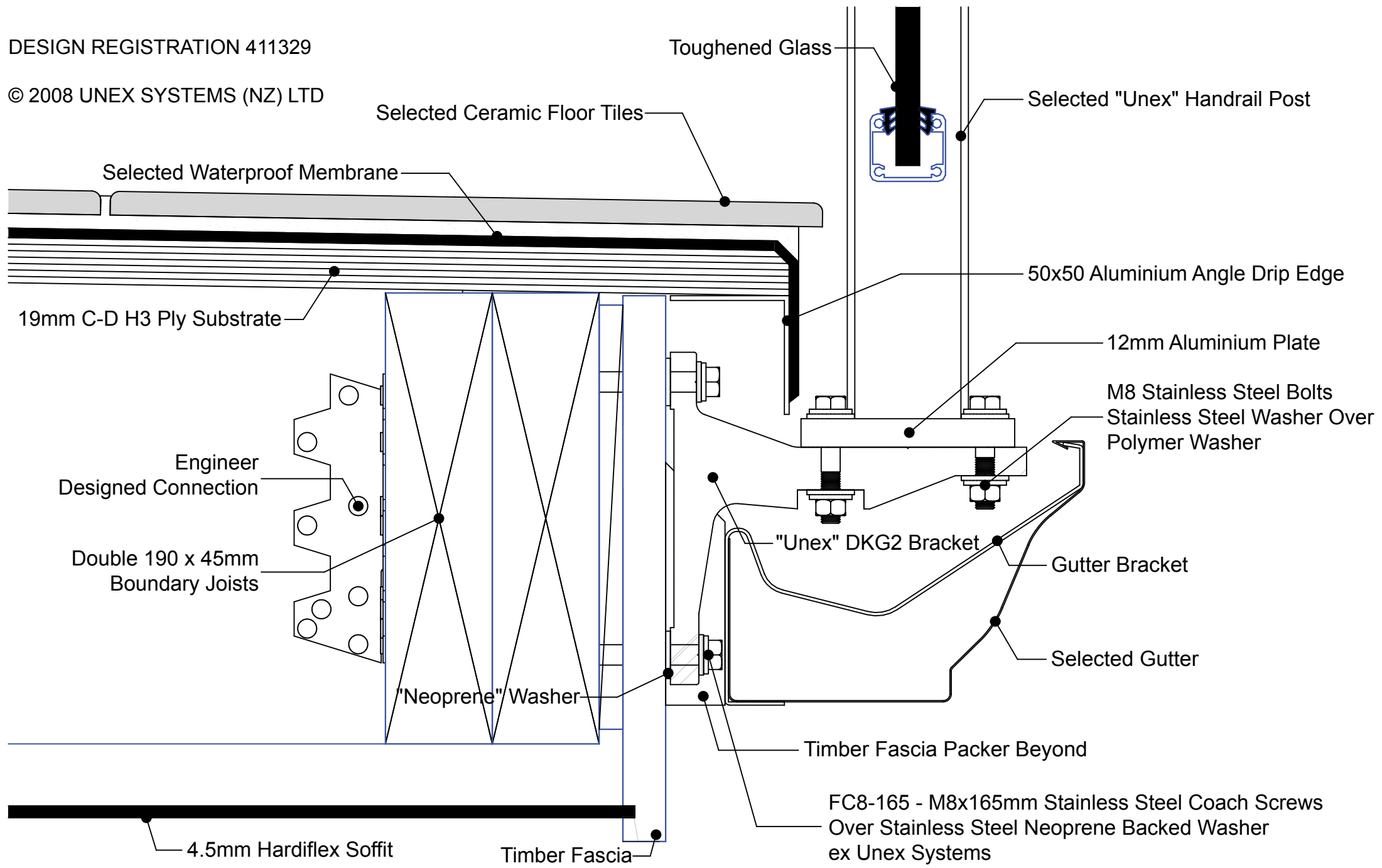


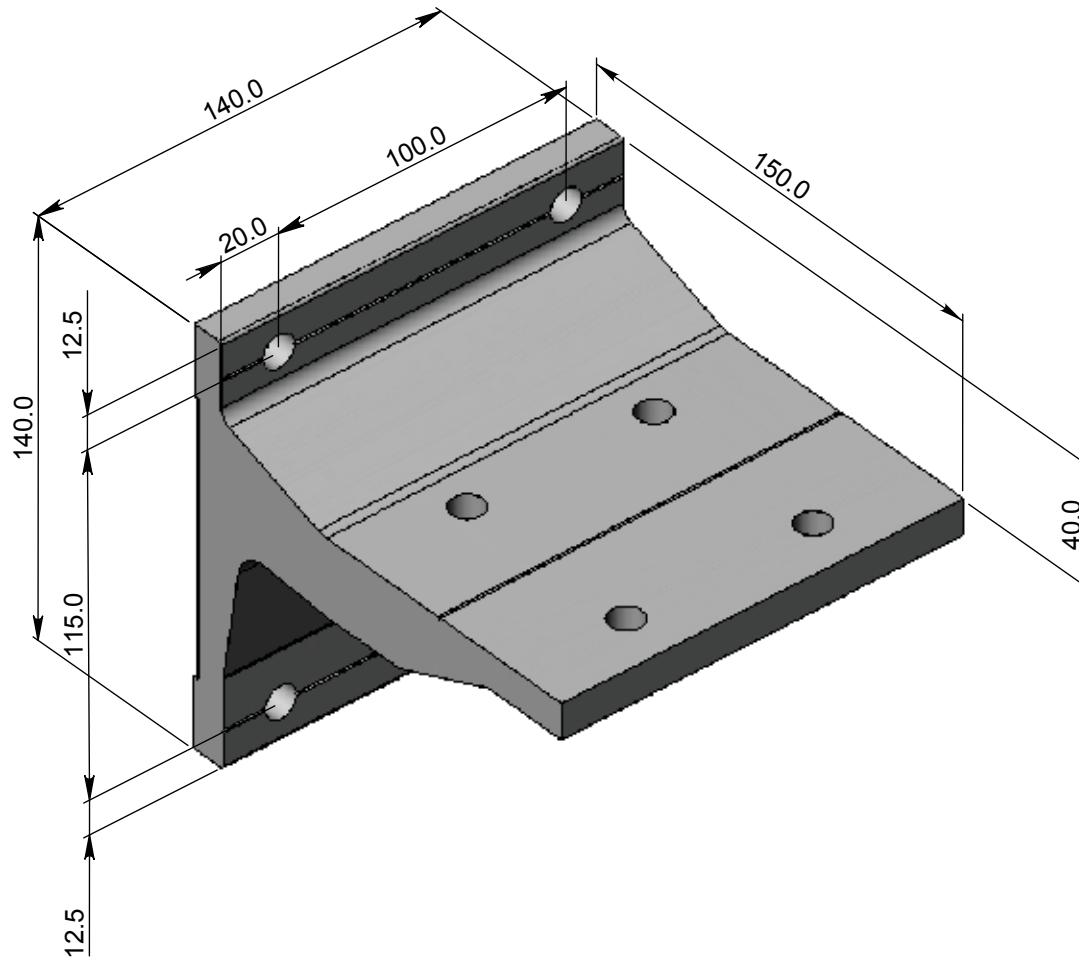
DESIGN REGISTRATION 411329

© 2008 UNEX SYSTEMS (NZ) LTD



Unex Systems "DKG2" Bracket Cross Section

DKG2-014 BRACKET



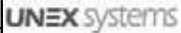
DESIGN REGISTRATION 411329

© 2008 UNEX SYSTEMS (NZ) LTD

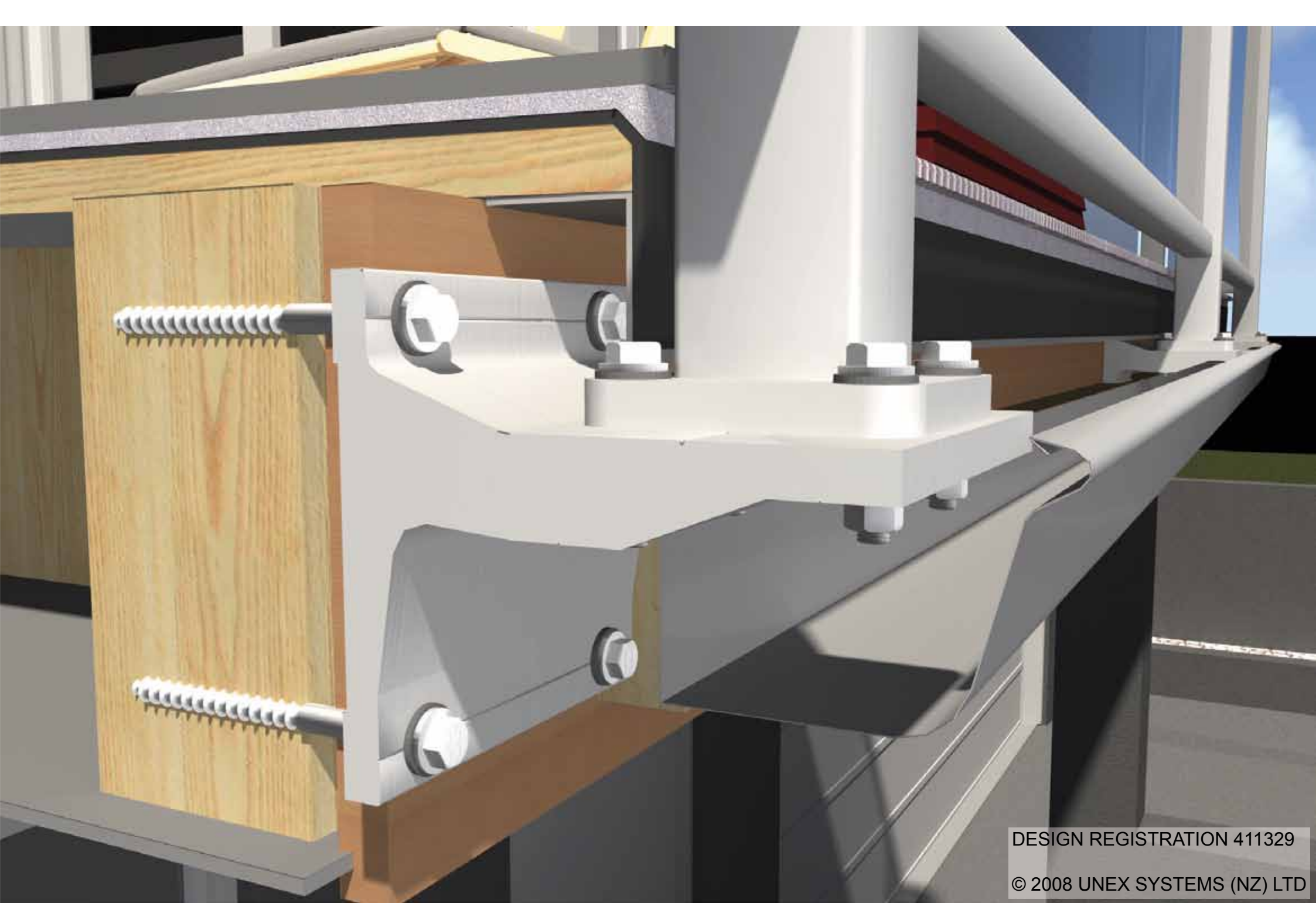
© COPYRIGHT : UNEX SYSTEMS (NZ) Ltd. THESE DRAWINGS AND PRODUCTS MADE THEREFROM ARE SUBJECT OF COPYRIGHT UNDER THE NEW ZEALAND COPYRIGHT ACT 1994 AND NEITHER THE DRAWINGS OR PRODUCTS MADE THEREFROM MAY BE REPRODUCED IN ANY MATERIAL FORM OR MODIFIED IN ANY WAY WITHOUT THE WRITTEN APPROVAL OF UNEX SYSTEMS (NZ) Ltd.

REV	DATE	CHANGE	NAME	REV	DATE	CHANGE	NAME

MATERIAL
ALUMINIUM
FINISH
20 MU ANODISED

DESIGNER	
DRAWN	
DATE	
CHECKED	
TITLE	Gutter Bracket

Unex Systems (NZ) Ltd 126 Ellis st P.O.Box 92 Hamilton 3240 New Zealand ph 64 7 8473777 Fax 64 7 8473000 Email info@unex.co.nz	
NUMBER	REV
DKG-014	0



DESIGN REGISTRATION 411329

© 2008 UNEX SYSTEMS (NZ) LTD



DESIGN REGISTRATION 411329

© 2008 UNEX SYSTEMS (NZ) LTD