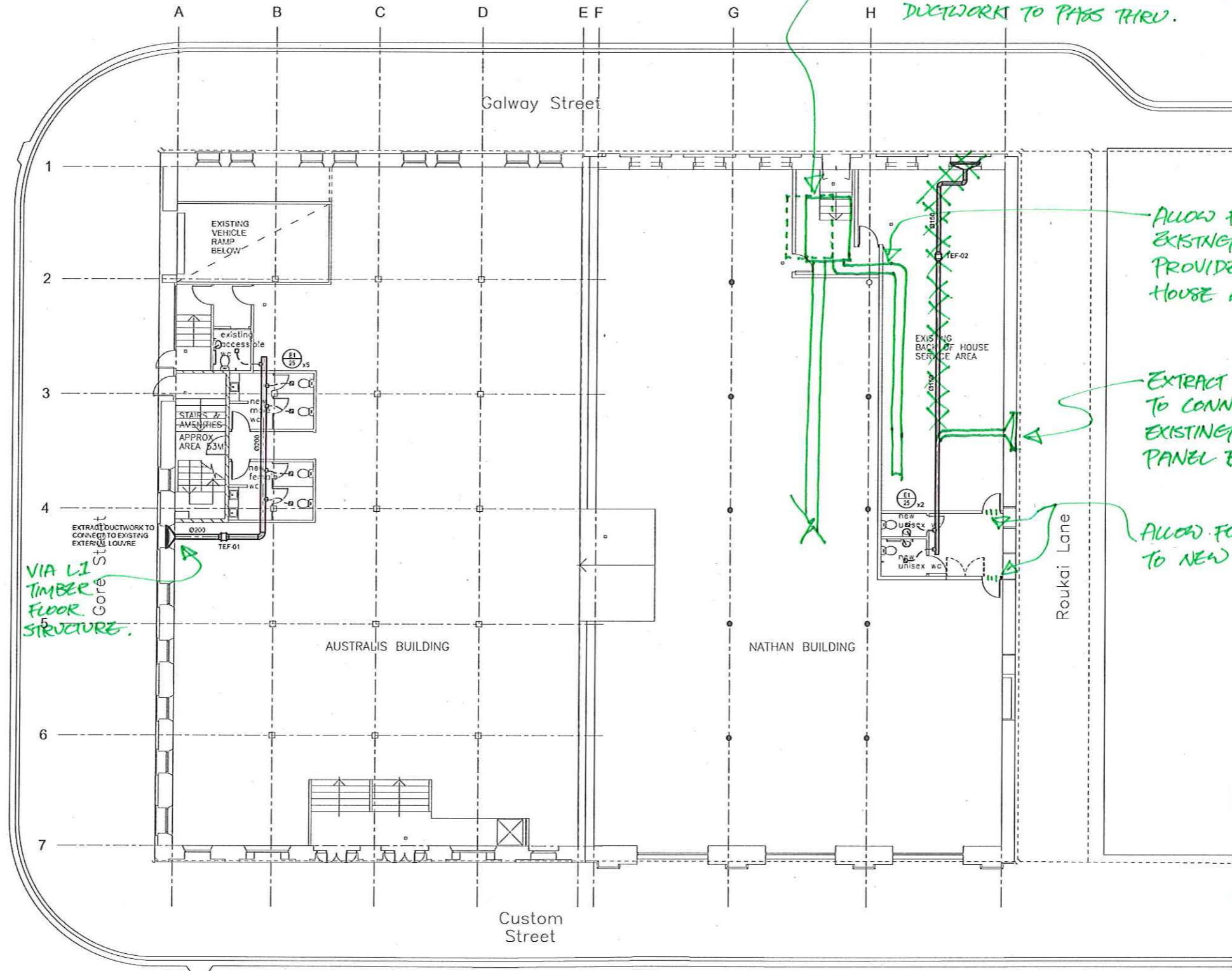


ADJUST EXISTING FCU (SHIFT TO WEST)  
TO SUIT NEW WALL LAYOUT.  
ALLOW PENETRATION IN NEW WALL FOR  
DUCTWORK TO PASS THRU.

- NOTES:
- TEF-01 NOMINAL SELECTION IS TD-600/200 SIL LO
  - E1 GRILLES: 150x150 EGG CRATE.
  - DUCTWORK INSTALLED UNDERNEATH CEILING JOINTS.
  - TEF-02 NOMINAL SELECTION IS TD-500/150 SIL LO.
  - TEF FANS CONTROLLED BY RUN-ON TIMER FROM LOCAL LIGHT SWITCH.
  - LOCAL DB TO SUPPLY POWER.
  - WC DOORS TO BE 20mm UNDERCUT TO ALLOW MAKE UP AIR.



ALLOW FOR EXTENSION TO EXISTING MECHANICAL DUCTWORK. PROVIDE AIR SUPPLY TO BACK OF HOUSE AREA.

EXTRACT DUCTWORK TO CONNECT TO EXISTING LI INFILL PANEL BOARD.

ALLOW FOR VENTILATION GRILLES TO NEW DOORS.

VIA LI TIMBER FLOOR STRUCTURE.

MECHANICAL SERVICES  
MARK UP 02/06/2011  
by Chestre Architects,  
for pricing purpose.  
All work to be checked  
& approved by NDY.  
prior to construction.

Rev.	Description	Date	By	Rev.	Description	Date	By
A	BUILDING CONSENT	26.05.11	MH				

A1 0 10 20 30 40 50 60 70 80 90 100 110 120 130 140 150

When reproduced at correct scale this line measures 150mm

NDY QA SYSTEM  
REASON FOR ISSUE  
BUILDING CONSENT  
AUTHORISATION  
By: ..  
VERIFICATION OF  
LATEST AMENDMENT  
By: ..



CONSULTING ENGINEERS  
LEVEL 5, AMP TOWER  
29, CUSTOM STREET WEST  
AUCKLAND, NEW ZEALAND  
TELEPHONE +64 9 3076256  
FACSIMILE +64 9 3076257  
URL: <http://www.ndy.co.nz>

NORMAN DISNEY & YOUNG LIMITED  
COMPANY NO. 1403297

Project: ADIDAS MUSEUM  
AUSTRALIS NATHAN BUILDING  
Title: MECHANICAL SERVICES

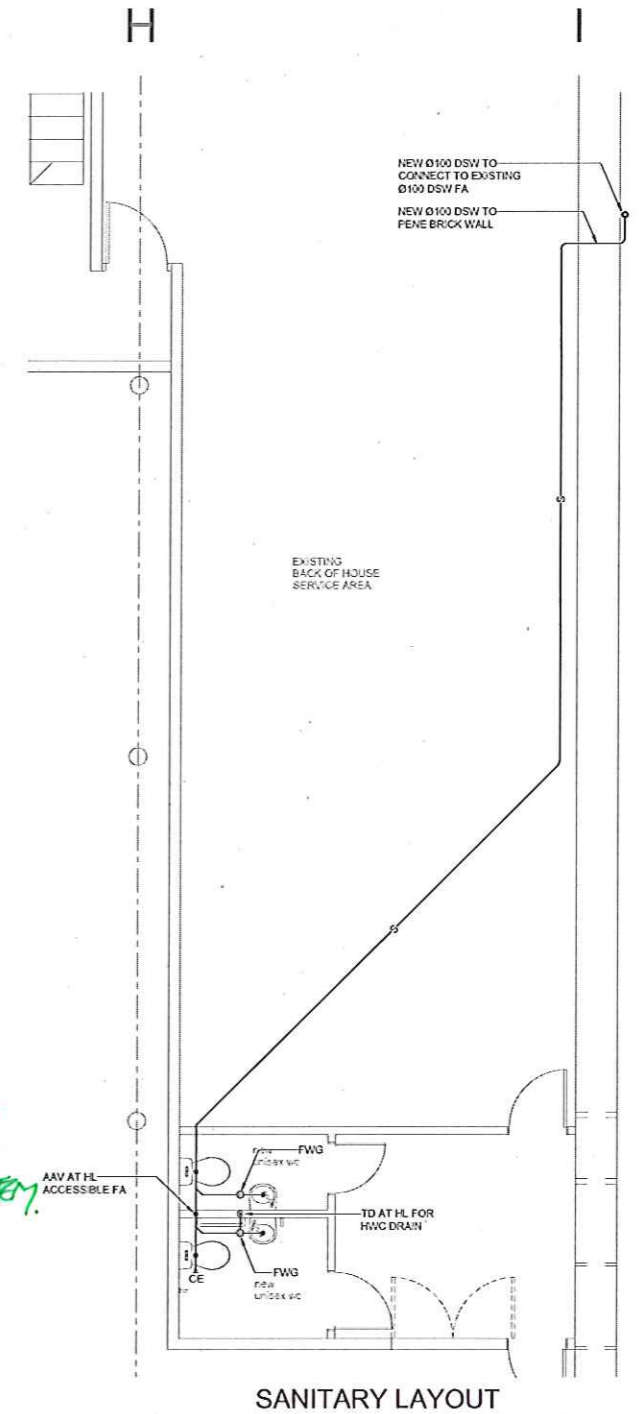
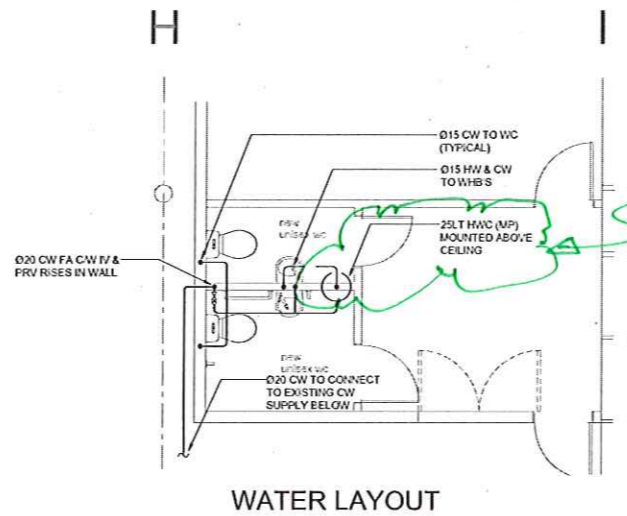
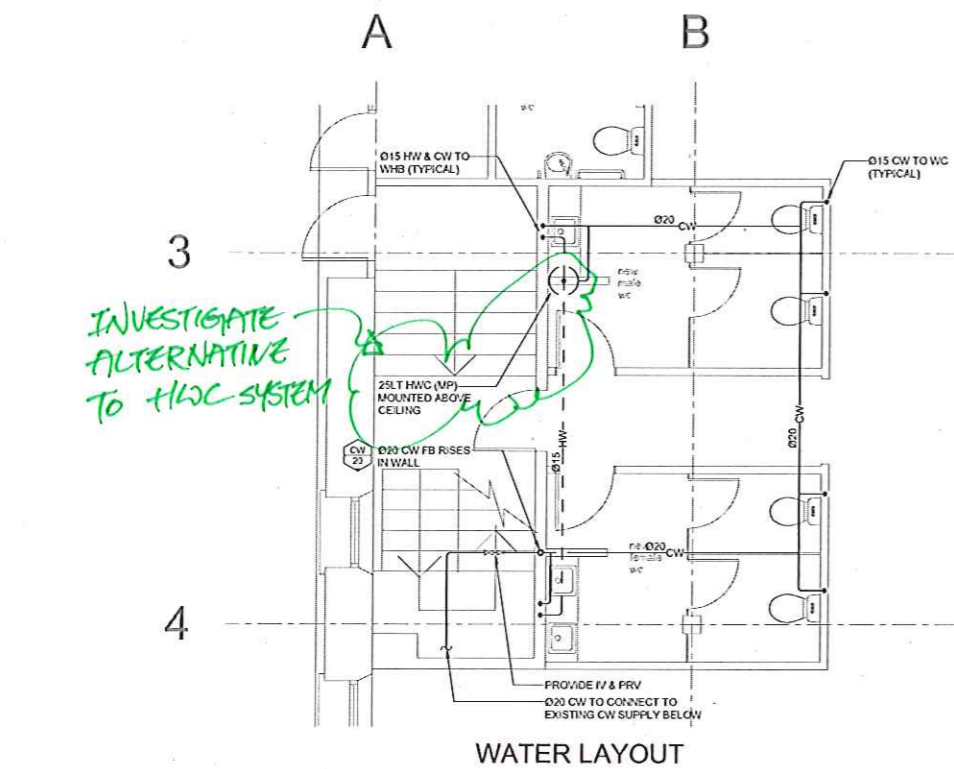
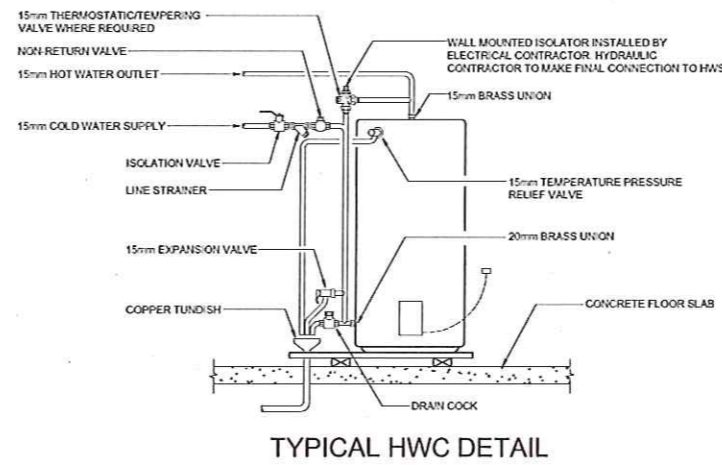
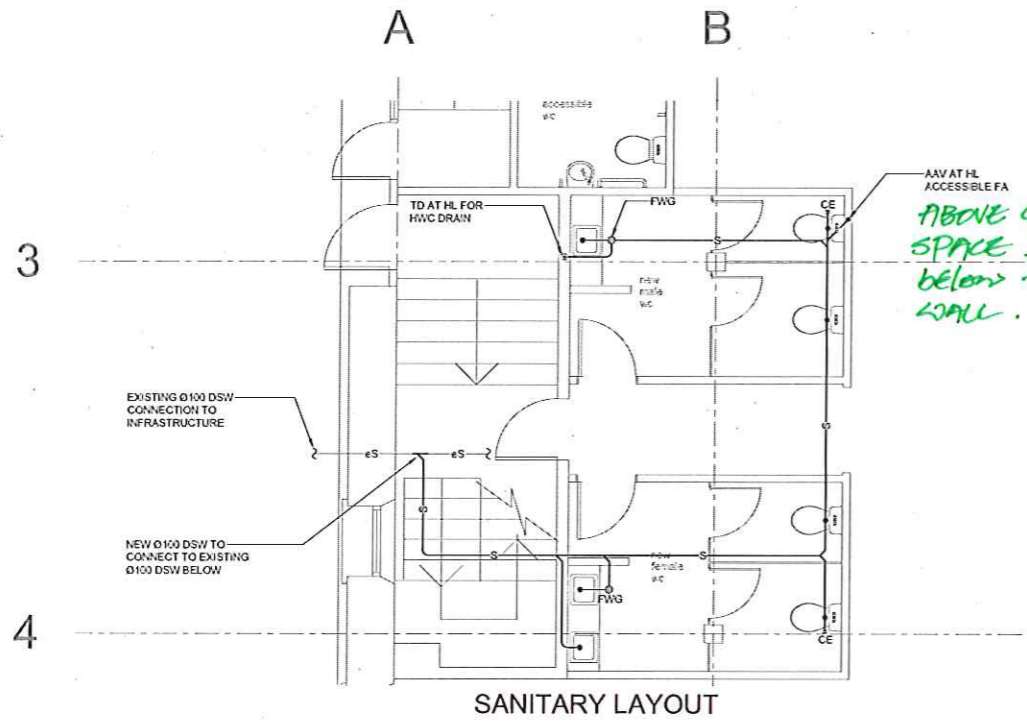
Scale: 1:100 @ A1 Date: 18.05.11 Drawn: MH Designed: AB Project No: 91216-004

	CAD File:	MGR
	Revision:	A
Drawing No.		M-0G-001

**GENERAL NOTES**

1. ALL PIPE SIZING ON WATER SUPPLY DRAWINGS IS NOMINAL BORE (I.D.)
2. ALL PIPE WORK IS TO BE INSTALLED IN ACCORDANCE WITH THE REQUIREMENTS OF AS 3500 AND THE NEW ZEALAND BUILDING CODE.

PIPE SIZING CHART SUB-SOIL	
FIXTURE	PIPE SIZE
WC	ø100
WHB	ø65
WHB-FWG	ø40
FWG	ø65



**HYDRAULIC SERVICES**  
**MARK UP 02/06/2011**  
 by Chestnut Architects, for pricing purpose. All work to be checked & approved by NDY prior to construction.

Rev	Description	Date	By	Rev	Description	Date	By
A	ISSUED FOR BUILDING CONSENT	09.05.11	JF				

A1 0 10 20 30 40 50 60 70 80 90 100 110 120 130 140 150 When reproduced at correct scale this line measures 150mm

NDY QA SYSTEM  
 REASON FOR ISSUE  
 BUILDING CONSENT  
 AUTHORIZATION  
 BY  
 VERIFICATION OF  
 LATEST AMENDMENT  
 BY



CONSULTING ENGINEERS  
 LEVEL 5, AMP TOWER  
 29, CUSTOM STREET WEST  
 AUCKLAND, NEW ZEALAND  
 TELEPHONE: +64 9 307056  
 FACSIMILE: +64 9 307057  
 URL: ndy.co.nz

NORMAN DISNEY & YOUNG LIMITED  
 COMPANY No. A633737

This Drawing is Appropriate and shows the general arrangement of equipment. Any information including installation of the works shall be taken from architectural and structural drawings, working drawings, specifications and conditions of the M&E. The works shall comply with the correct consents and Building Regulations.

Project: **ADIDAS MUSEUM  
 AUSTRALIS NATHAN BUILDING**  
 Title: **HYDRAULIC SERVICES  
 SANITARY & WATER LAYOUT**

Scale: 1:500 @ A1 Date: 09.05.11 Drawn: JF Designed: SG Project No: 91218-004

CAD File: HGRDLSL  
 Revision: A  
 Drawing No: H-0G-001

V:\Auck\_proj\91218\91218-004\Hydraulic\HGRDLSL.dwg - May 09, 2011