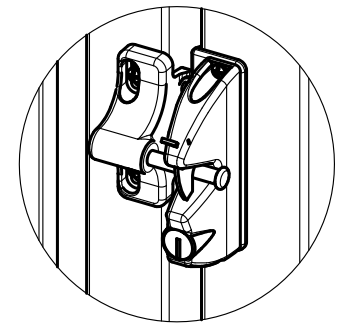
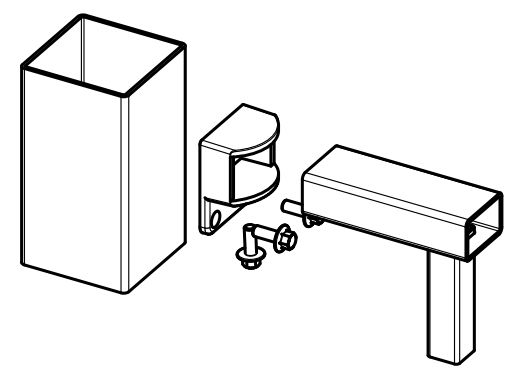


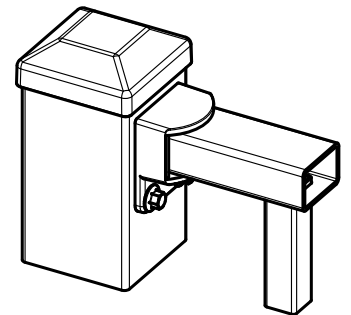
TRU-CLOSE HEAVY DUTY HINGES ON PED GATE
1:4



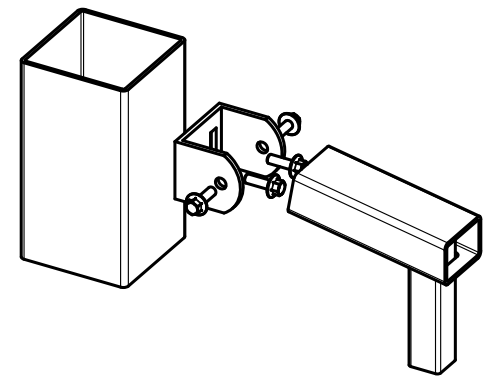
LOKKLATCH ON PED GATE
1:4



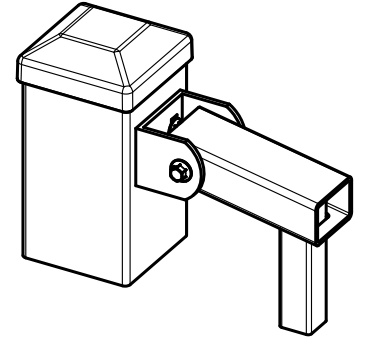
FIXED PANEL TO POST DETAIL
1:4



FIXED PANEL TO POST DETAIL
1:4



RAKING PANEL TO POST DETAIL
1:4

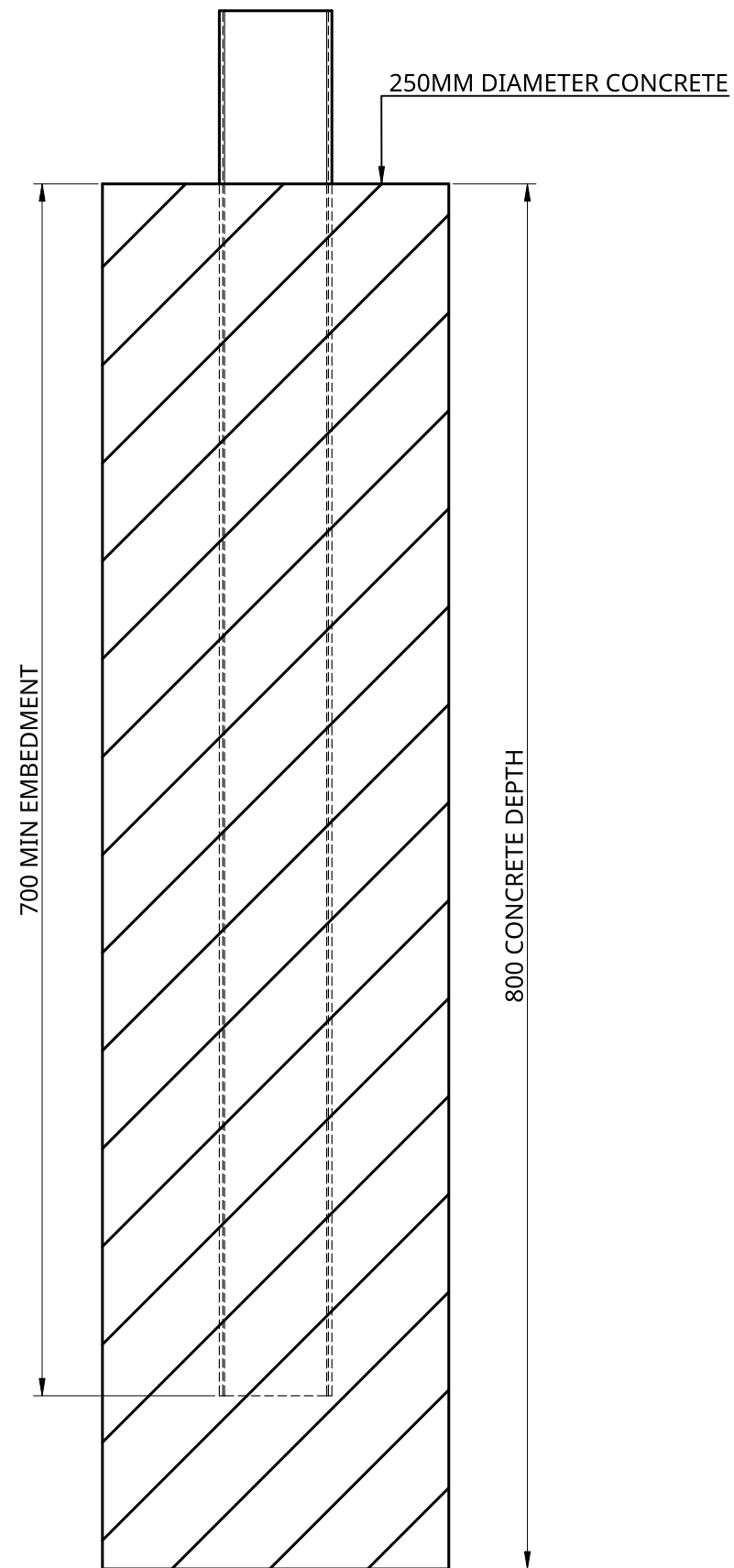


RAKING PANEL TO POST DETAIL
1:4

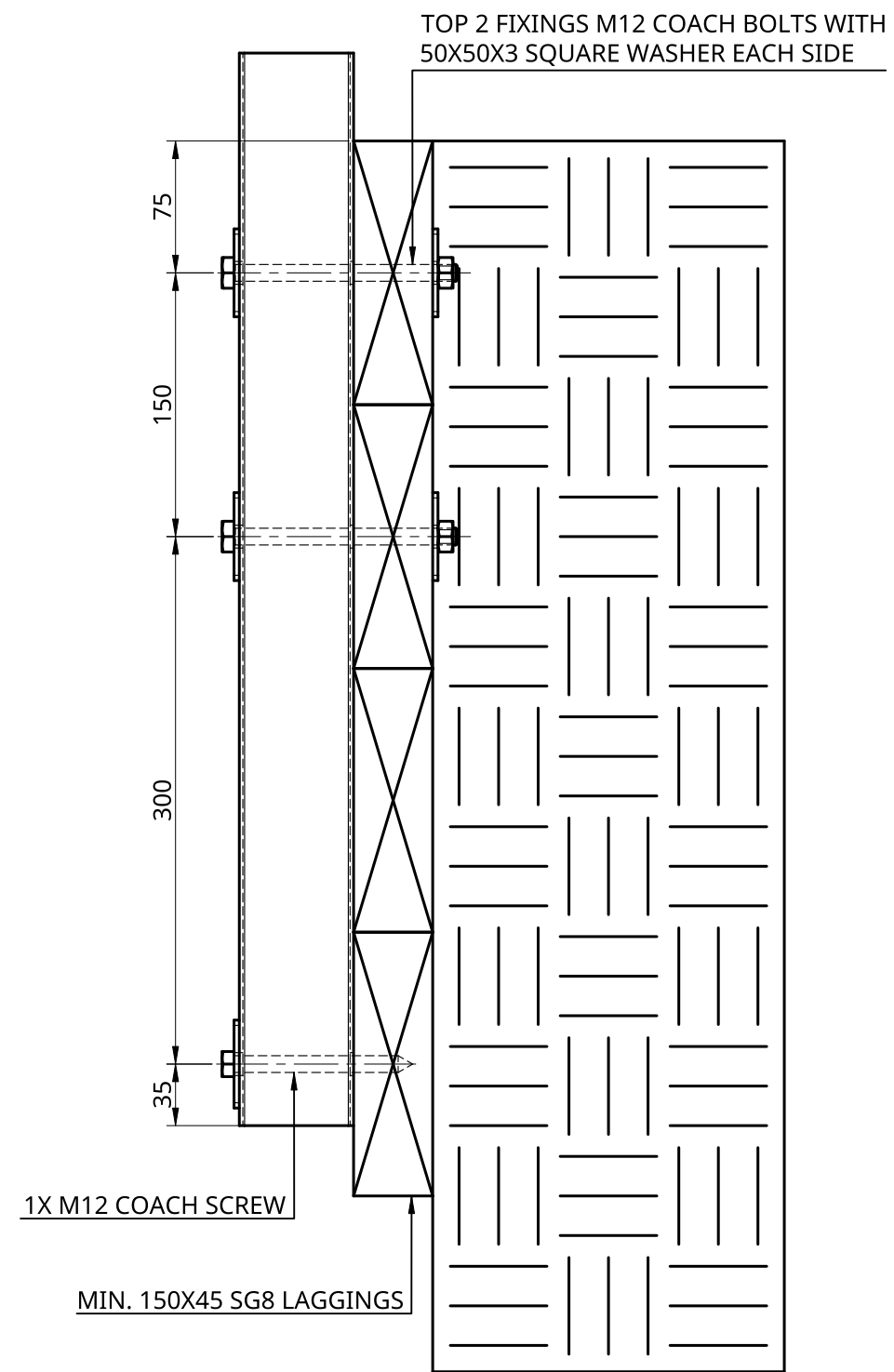
PANEL CODE	DESCRIPTION	BRACKET CODE	HEIGHT	WIDTH	PANEL RAKE	HORIZONTALS	VERTICALS	TUBE SPACINGS
UFASS12	ASSURE FENCE PANEL	HBKT38	1200	2400	N/A	38X25X2 RHS	18X18X1.1 SHS	80 (98 CENTRES)
UFASSR12	ASSURE RAKING FENCE PANEL	HBKTR38	1200	2400	30 DEGREES	38X25X2 RHS	18X18X1.1 SHS	80 (98 CENTRES)
SGAS/1212	ASSURE PEDESTRIAN GATE	N/A	1200	1170	N/A	38X25X2 RHS	18X18X1.1 SHS	80 (98 CENTRES)



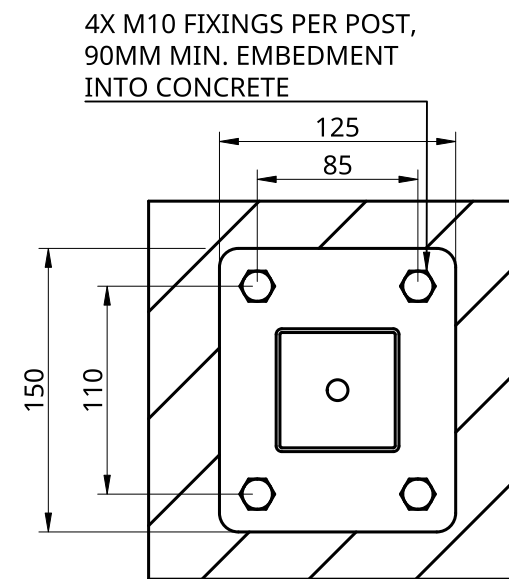
SIZE:	A3	SCALE:	1:25
DRAWING NO:	ASS12 - SS	REVISION:	01
DATE ISSUED:	2023-04-20	SHEET:	1 OF 2



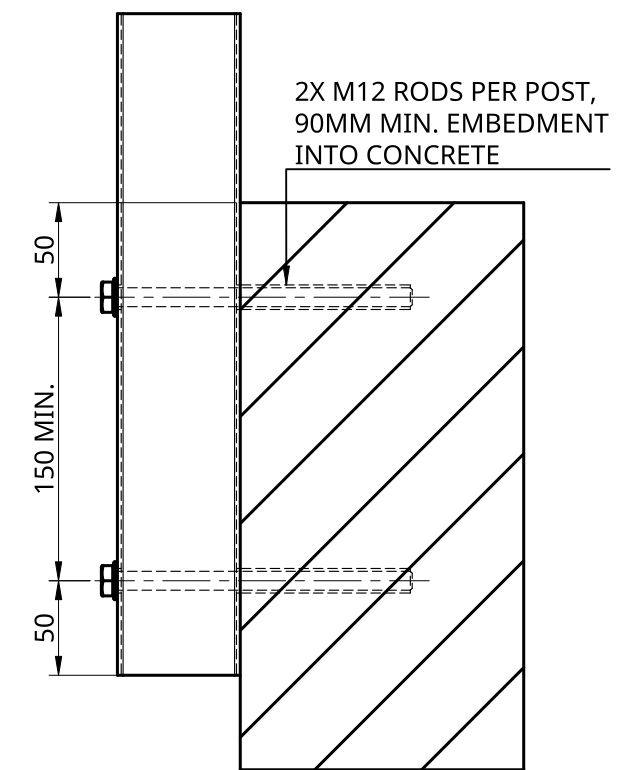
IN GROUND POST CONNECTION



SIDE FIX TO TIMBER RETAINING WALL CONNECTION



BASEPLATED POST CONNECTION



SIDE FIX TO CONCRETE CONNECTION



SIZE:	A3	SCALE:	1:4
DRAWING NO:	ASS12 - SS	REVISION:	01
DATE ISSUED:	2023-04-20	SHEET:	2 OF 2